

4

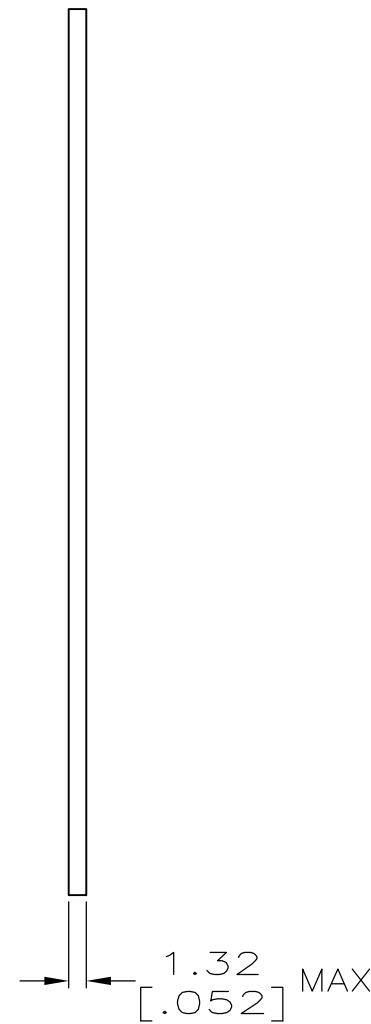
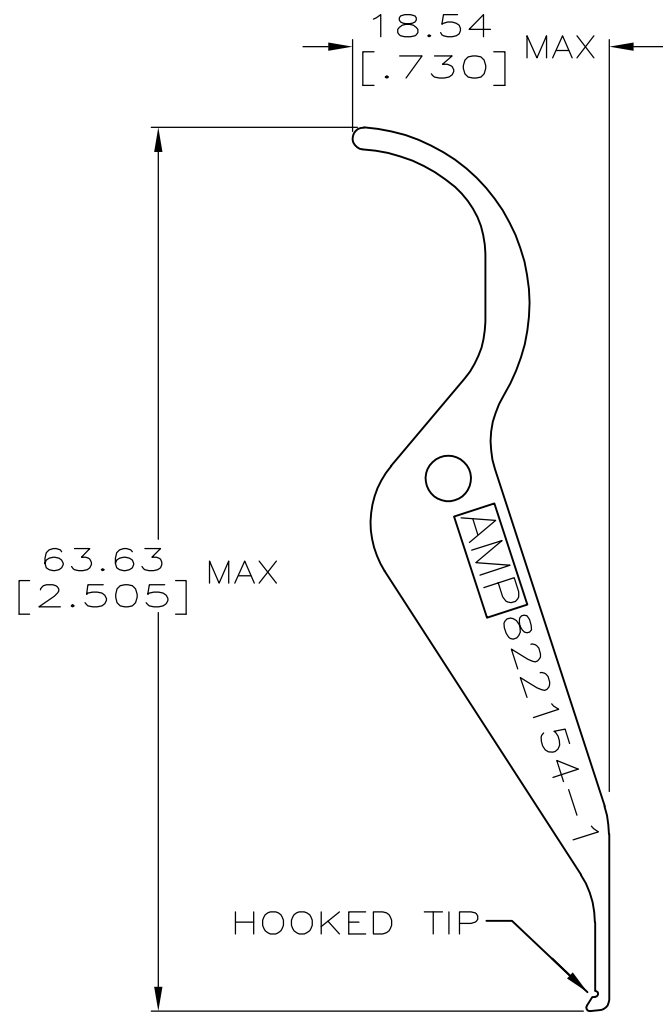
3

2

1

THIS DRAWING IS UNPUBLISHED.      RELEASED FOR PUBLICATION      - , - .  
 © COPYRIGHT - By -      ALL RIGHTS RESERVED.

LOC	DIST	REVISIONS					
AG	53	P	LTR	DESCRIPTION	DATE	DWN	APVD
		C1		REVISED PER ECO-11-004835	11MAR11	RK	HMR



THIS DRAWING IS A CONTROLLED DOCUMENT.		DWN	R.TALLEY	3-8-91	<b>STE</b> TE Connectivity													
DIMENSIONS: mm[INCHES]		CHK	R.MILLER	3-28-91														
TOLERANCES UNLESS OTHERWISE SPECIFIED:		APVD	K.KREIDLER	3-28-91	NAME													
<table border="0"> <tr><td>0 PLC</td><td>± -</td></tr> <tr><td>1 PLC</td><td>± -</td></tr> <tr><td>2 PLC</td><td>± -</td></tr> <tr><td>3 PLC</td><td>± -</td></tr> <tr><td>4 PLC</td><td>± -</td></tr> <tr><td>ANGLES</td><td>± -</td></tr> </table>		0 PLC	± -	1 PLC	± -	2 PLC	± -	3 PLC	± -	4 PLC	± -	ANGLES	± -	PRODUCT SPEC		CHIP CARRIER EXTRACTION TOOL		
0 PLC	± -																	
1 PLC	± -																	
2 PLC	± -																	
3 PLC	± -																	
4 PLC	± -																	
ANGLES	± -																	
MATERIAL		APPLICATION SPEC		RESTRICTED TO														
STAINLESS STEEL		WEIGHT		SIZE	CAGE CODE	DRAWING NO	—											
FINISH		—		A3	00779	C-822154	—											
THIS DRAWING IS A CONTROLLED DOCUMENT FOR AMP INCORPORATED. IT IS SUBJECT TO CHANGE AND THE CONTROLLING ENGINEERING ORGANIZATION SHOULD BE CONTACTED FOR THE LATEST REVISION.		CUSTOMER DRAWING			SCALE	SHEET	REV											
					2:1	1 of 1	C1											