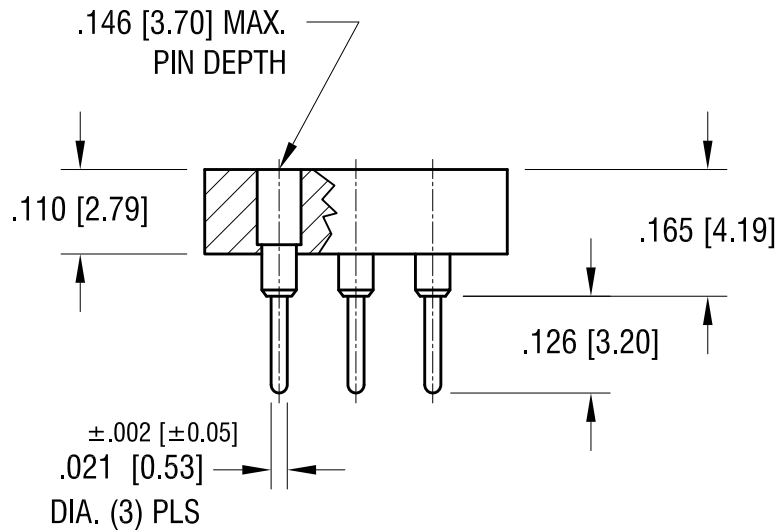
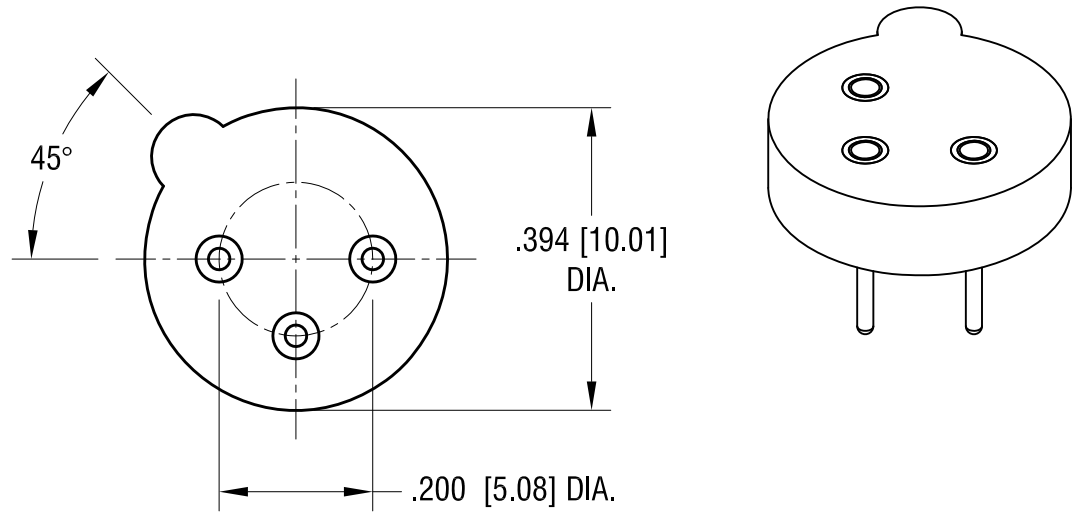


THIS DOCUMENT IS THE PROPERTY OF
KEYSTONE ELECTRONICS CORP. AND
SHALL NOT BE REPRODUCED, DISTRIBUTED
OR USED AS A BASIS FOR MANUFACTURE
WITHOUT PRIOR WRITTEN PERMISSION
FROM KEYSTONE ELECTRONICS CORP.



NOTES:

- 1. INSULATOR:
MAT'L - GLASS FILLED POLYESTER
- CONTACT PIN:
MAT'L - BRASS
FINISH - TIN PLATE
- CONTACT SPRING:
MAT'L - BERYLLIUM COPPER
FINISH - .0000300 [.00076] GOLD PLATE

KEYSTONE ELECTRONICS CORP.			
www.keyelco.com • ASTORIA, N.Y. 11105-2017 • Tel (718) 956-8900			
PART NAME		TRANSISTOR SOCKET FOR TO-5	
MATERIAL AS NOTED			
FINISH AS NOTED		DRN BY BOONE	DATE 7.09.10
		APP'D LN	SCALE 4X
TOLERANCES	INCH [MM]	CODE	DWG NO.
DECIMAL	± .005 [± 0.15]	C/M	4590
ANGULAR	± 1°		
UNLESS OTHERWISE SPECIFIED			

DATE	DESCRIPTION	REV.
------	-------------	------

Mouser Electronics

Authorized Distributor

Click to View Pricing, Inventory, Delivery & Lifecycle Information:

[Keystone Electronics:](#)

[4590](#)