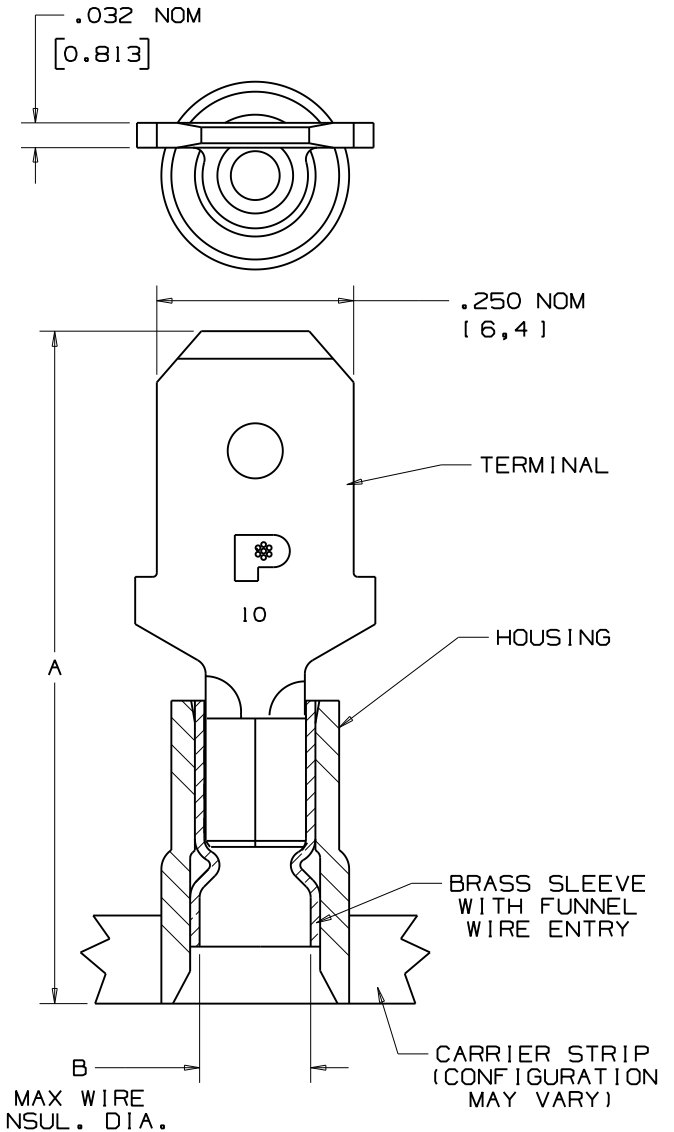


THIS COPY IS PROVIDED ON A RESTRICTED BASIS AND IS NOT TO BE USED IN ANY WAY DETRIMENTAL TO THE INTERESTS OF PANDUIT CORP.

PART NUMBER		TAB SIZE	WIRE RANGE AWG (mm <sup>2</sup> )	DIMENSIONS		HOUSING COLOR	TOOL CHART RECOMMENDED PRESSES CP-861, CP-860 CP-851, CP-862 CA-800/CA9 DIE INSERTS
				A ±.030	B <sup>MAX</sup>		
PREFIX	PK						
DNF18-250M	-3K	.250 X .032 (6.3 X 0.8)	22-18 (0,5-1,0)	.90 (22,9)	.145 (3,68)	RED	CD-800-1 CA9-1A
DNF14-250M	-3K	.250 X .032 (6.3 X 0.8)	16-14 (1,5-2,5)	.90 (22,9)	.162 (4,11)	BLUE	CD-800-2 CA9-2A
DNF10-250M	-2K	.250 X .032 (6.3 X 0.8)	12-10 (4,0-6,0)	.95 (24,1)	.225 (5,72)	YELLOW	CD-800-3 CA9-3B



NOTES:

- USED FOR:
  - A. 600V MAX. VOLTAGE RATING.
  - B. 105° C (221°F) MAX. TEMP. RATING
  - C. STRANDED COPPER WIRE ONLY.
- PACKAGE QTY:
  - 3K = 3000 PC. REEL
  - 2K = 2000 PC. REEL
- MATERIAL:
  - A. STAMPING: COPPER, NICKEL PLATED
  - B. HOUSING: TYPE 6/6 NYLON
- WIRE STRIP LENGTH:  $9/32 \begin{matrix} +1/32 \\ -0 \end{matrix} (7.1 \begin{matrix} +.8 \\ -0 \end{matrix})$  (DNF18-250M & DNF14-250M)  
 :  $11/32 \begin{matrix} +1/32 \\ -0 \end{matrix} (8.7 \begin{matrix} +.8 \\ -0 \end{matrix})$  (DNF10-250M)
- DIMENSIONS IN BRACKETS ARE IN mm OR mm<sup>2</sup>.



CERTIFIED  
LR31212

REV	DATE	BY	CHK	DESCRIPTION
06	9/10	SRB	SRB	Removed CSA exception for DNF10-250M

**PANDUIT**

CORP.

TINLEY PARK, ILLINOIS

REELSMART™, DISCO™, NYLON BARREL INSULATED  
MALE DISCONNECTS (.250 X .032 TAB SIZE)

DRAWN BY	CHK'D	SCALE	DRAWING NO./CAD FILENAME
BDK	RLS	NONE	A41533

# Mouser Electronics

Authorized Distributor

Click to View Pricing, Inventory, Delivery & Lifecycle Information:

[Panduit:](#)

[DNF14-250M-3K](#)