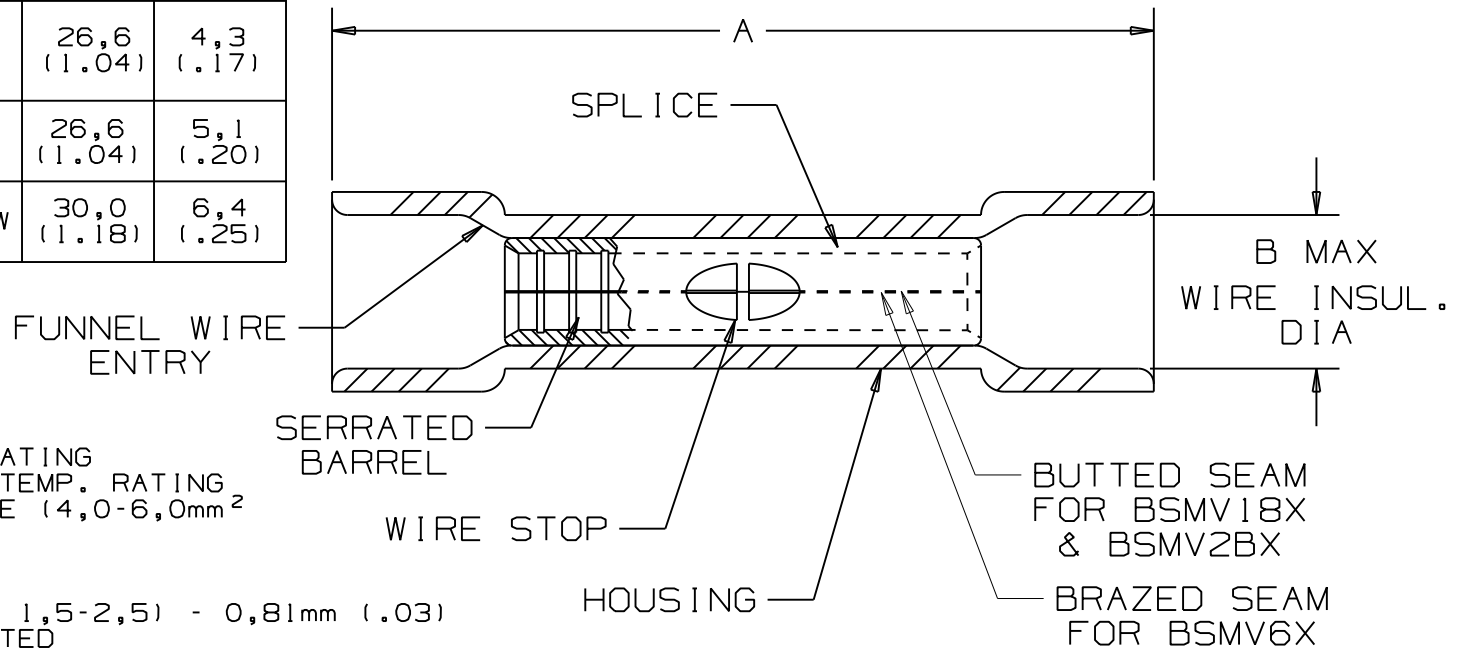


THIS COPY IS PROVIDED ON A RESTRICTED BASIS AND IS NOT TO BE USED IN ANY WAY DETRIMENTAL TO THE INTERESTS OF PANDUIT CORP.

PANDUIT PART #		WIRE RANGE mm ²	COLOR CODE	DIMENSIONS mm	
PREFIX	PK			A ±0,51	B
BSMV1BX	-XY -LY -MY	0,5-1,5	RED	26,6 (1.04)	4,3 (.17)
BSMV2BX	-X -L -M	1,5-2,5	BLUE	26,6 (1.04)	5,1 (.20)
BSMV6X	-X -O	*2,5-6,0	YELLOW	30,0 (1.18)	6,4 (.25)



NOTES:

- USED FOR:
 - A. 600V MAX. VOLTAGE RATING
 - B. 105°C (221°F) MAX. TEMP. RATING
 - *C. STRANDED COPPER WIRE (4,0-6,0mm² FOR CT-1551M)
- MATERIAL:
 - A. STAMPING (0,5-1,5 & 1,5-2,5) - 0,81mm (.03) THK COPPER, TIN PLATED
 - B. STAMPING (2,5-6,0) - 1,02mm (.04) THK COPPER, TIN PLATED
 - C. HOUSING- VINYL
- DIMENSIONS IN BRACKETS ARE IN INCHES
- PACKAGE QTY:
 - X,-X=10, -O=25, -L,-LY=50, -D=500, -M,-MY=1000
- WIRE STRIP LENGTH: $7,9^{+,8}_{-0}$ ($5/16^{+1/32}_{-0}$)
- INSTALLATION TOOLS: REF. DWGS. A41522, A41523, A41524, A41525

REV	DATE	BY	CHK	DESCRIPTION	ECN #	CUST	PM
11	8/09	BCT		REMOVED BSMV6X-D			
10	8/09	BCT		MODIFIED BSMV1BX PKG CODE TO -LY			
09	10/8	SRB		Removed "C" packaging code and replaced with "L"&"O" packaging code.			

PANDUIT CORP. TINLEY PARK, ILLINOIS

EXPANDED VINYL INSULATED METRIC BUTT SPLICES

DRAWN BY BDK CHK'D SCALE NONE DRAWING NO. A41420

Mouser Electronics

Authorized Distributor

Click to View Pricing, Inventory, Delivery & Lifecycle Information:

[Panduit:](#)

[BSMV1BX-MY](#) [BSMV2BX-L](#) [BSMV6X-Q](#)