

1

2

3

4

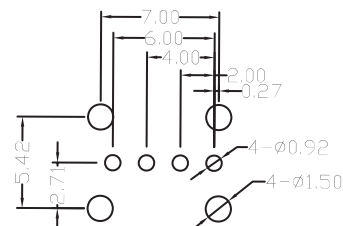
5

A

B

C

D



PCB LAYOUT - COMPONENT VIEW

TECHNICAL CHARACTERISTICS

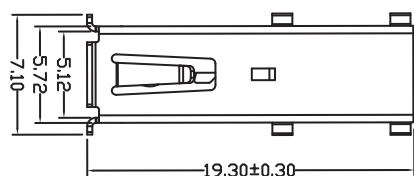
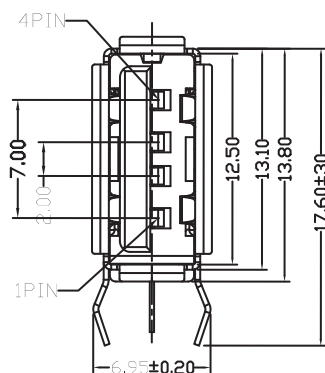
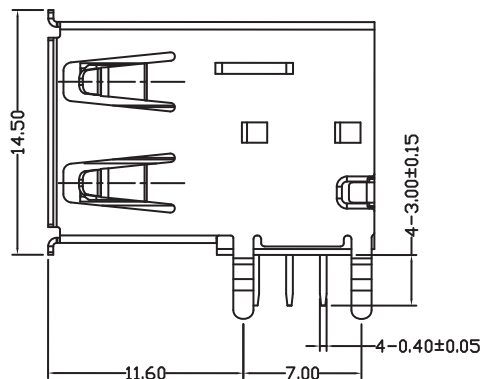
MATERIAL
 INSULATOR: PBT
 FLAMMABILITY RATING: UL94-V0
 COLOR: WHITE
 CONTACT MATERIAL: COPPER ALLOY
 CONTACT TYPE: STAMPED
 CONTACT PLATING: SELECTIVE GOLD
 SHIELDING: BRASS Ni PLATED
 QUALITY CLASS: 1500 MATING CYCLES

ENVIRONMENTAL
 OPERATING TEMPERATURE: -40°C UP TO +105°C
 COMPLIANCE: LEAD FREE AND ROHS

ELECTRICAL
 CURRENT RATING: 1.5 A MAX
 WORKING VOLTAGE: 30 VAC
 INSULATOR RESISTANCE: >1000 MΩ
 DIELECTRIC WITHSTANDING VOLTAGE: 750 VAC/MIN
 CONTACT RESISTANCE: 20 mΩ MAX

SOLDERING
 JEDEC LEAD FREE WAVE SOLDERING

PACKAGING
 TRAY



RoHS Compliant

O	27-OCT-14	REVIEW	QL	PROJECTION: 	GENERAL TOLERANCE .X = ± 0.2 .XX = ± 0.15	
N	02-JAN-14	DRAWING	PQ			
M	15-FEV-13	DESIGNATION	AR			
L	12-JUN-12	SOLDERING	GG			
K	08-NOV-11	CURRENT RATING	GG	APPROVAL: NPr	UNIT: MM	DESCRIPTION: USB 2.0 TYPE A UP RIGHT
J	07-SEP-11	NOTE	GG		SCALE:	
I	22-JUN-11	CURRENT RATING	GG		SHEET: 1/1	WERI PART NO: 614 004 134 726
REV	DATE	FILE	BY		DRAW: QL	
						SIZE A4

Mouser Electronics

Authorized Distributor

Click to View Pricing, Inventory, Delivery & Lifecycle Information:

[Wurth Electronics:](#)

[614004134726](#)