

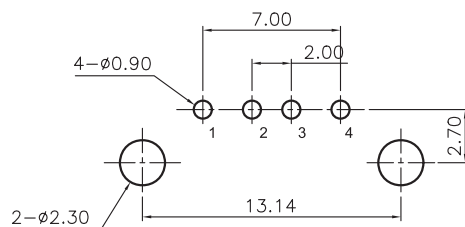
1

2

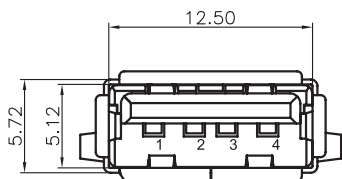
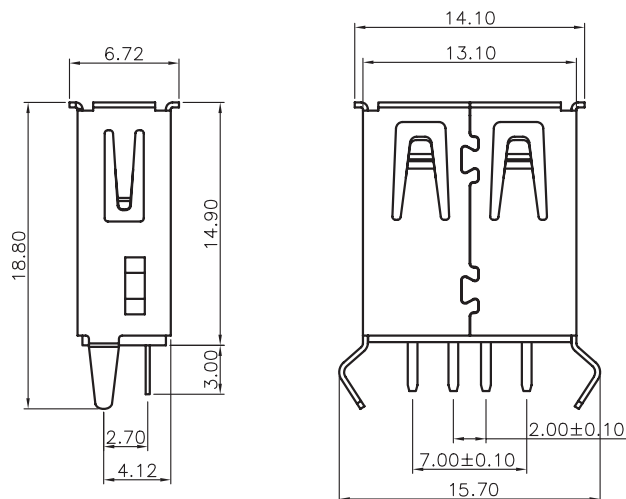
3

4

5



PCB LAYOUT - COMPONENT VIEW



TECHNICAL CHARACTERISTICS

MATERIAL
 INSULATOR: PBT
 FLAMMABILITY RATING: UL94-V0
 COLOR: WHITE
 CONTACT MATERIAL: COPPER ALLOY
 CONTACT TYPE: STAMPED
 CONTACT PLATING: SELECTIVE GOLD
 SHIELDING: BRASS Ni PLATED
 QUALITY CLASS: 1500 MATING CYCLES

ENVIRONMENTAL
 OPERATING TEMPERATURE: -40°C UP TO +105°C
 COMPLIANCE: LEAD FREE AND ROHS

ELECTRICAL
 CURRENT RATING: 1.5 A MAX
 WORKING VOLTAGE: 30 VAC
 INSULATOR RESISTANCE: >1000 MΩ
 DIELECTRIC WITHSTANDING VOLTAGE: 750 VAC/MIN
 CONTACT RESISTANCE: 20 mΩ MAX

STANDARD
 CERTIFIED: E323964

SOLDERING
 JEDEC LEAD FREE WAVE SOLDERING

PACKAGING
 TRAY

RoHS Compliant

PROJECTION:



GENERAL TOLERANCE

.X = ± 0.2 .XX = ± 0.15 

APPROVAL: NPr

UNIT: MM

SCALE:

SHEET: 1/2

DRAW: QL

DESCRIPTION: USB 2.0 TYPE A VERTICAL

WERI PART NO: 614 004 135 023

SIZE

A4

L	27-OCT-14	REVIEW	QL				
K	12-AUG-13	UPDATE	QL				
J	15-FEB-13	DESIGNATION	AR				
I	19-DEC-11	DRAWING	GG				
H	08-NOV-11	CURRENT RATING	GG				
REV	DATE	FILE	BY				

1

2

3

4

5

A

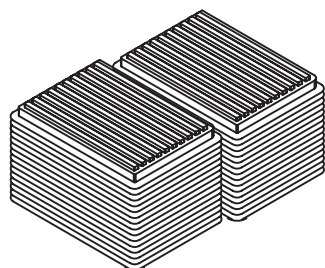
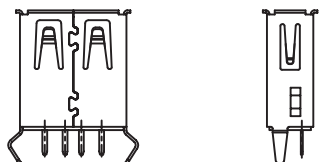
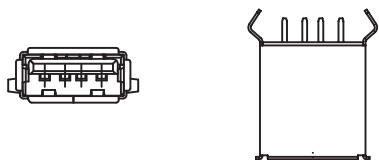
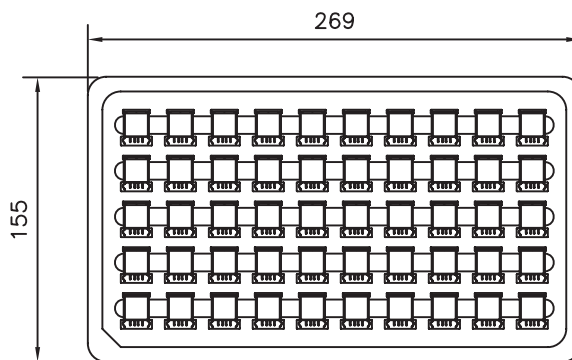
B

C

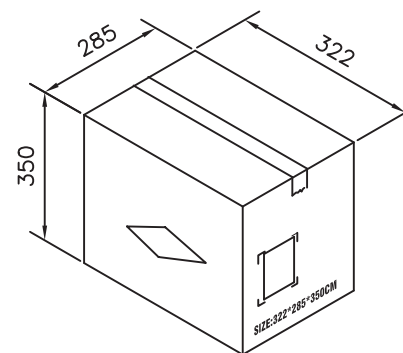
D

Note:
 1.Dimension:
 Tray Size: 269(L)X155(W)X8.0(H) (mm)
 Carton Size:322X285X350(mm)

Pin.	Pcs/Tray	Tray/Carton	Pcs/Carton
04	50	70	3500



84 Trays



RoHS Compliant			
G			
F			
E			
D			
C			
B			
A			
REV	DATE	FILE	BY

PROJECTION:

GENERAL TOLERANCE
 .X = +/- 0.2
 .XX = +/- 0.15



APPROVAL: NP

UNIT: MM
 SCALE:
 SHEET: 2/2
 DRAW: QL

DESCRIPTION: USB TYPE A VERTICAL
 WERI PART NO: 614 004 135 023

SIZE
A4

Mouser Electronics

Authorized Distributor

Click to View Pricing, Inventory, Delivery & Lifecycle Information:

[Wurth Electronics:](#)

[614004135023](#)