

MATERIALS AND FINISHES

SEE SD-73412-050

P/N: 73118-0250: THIS IS P/N: 73412-0502 PLACED IN A SINGLE BAG WITH LABEL

CHG: RELEASE DRAWING. EC NO: URF-2011-0652 DRW: AROBERTSON 2011/05/04 CHK: SSS 2011/05/04 APPR: JWIENER 2011/05/05	DESCRIPTION REV: A	QUALITY SYMBOLS ▽=0 ▽=0	GENERAL TOLERANCES (UNLESS SPECIFIED) <table border="1"> <thead> <tr> <th></th> <th>mm</th> <th>INCH</th> </tr> </thead> <tbody> <tr> <td>4 PLACES</td> <td>± .---</td> <td>± .---</td> </tr> <tr> <td>3 PLACES</td> <td>± .---</td> <td>± .---</td> </tr> <tr> <td>2 PLACES</td> <td>± .---</td> <td>± .---</td> </tr> <tr> <td>1 PLACE</td> <td>± .---</td> <td>± .---</td> </tr> <tr> <td colspan="3">ANGULAR ± .---°</td> </tr> </tbody> </table>		mm	INCH	4 PLACES	± .---	± .---	3 PLACES	± .---	± .---	2 PLACES	± .---	± .---	1 PLACE	± .---	± .---	ANGULAR ± .---°			DIMENSION STYLE MM/IN DRAWN BY: AROBERTSON DATE: 2011/05/04 CHECKED BY: SSS DATE: 2011/05/04 APPROVED BY: JWIENER DATE: 2011/05/05	SCALE: METRIC DESIGN UNITS: METRIC THIRD ANGLE PROJECTION	TITLE U.FL PLUG TO U.FL PLUG 50 OHM ON 1.32 CABLE CA-U.FL	MATERIAL NO. SEE TABLE	DOCUMENT NO. SD-73118-025	SHEET NO. 1 OF 1
			mm	INCH																							
		4 PLACES	± .---	± .---																							
		3 PLACES	± .---	± .---																							
2 PLACES	± .---	± .---																									
1 PLACE	± .---	± .---																									
ANGULAR ± .---°																											
DRAFT WHERE APPLICABLE MUST REMAIN WITHIN DIMENSIONS			THIS DRAWING CONTAINS INFORMATION THAT IS PROPRIETARY TO MOLEX INCORPORATED AND SHOULD NOT BE USED WITHOUT WRITTEN PERMISSION																								
			SIZE C																								

MATERIALS AND FINISHES

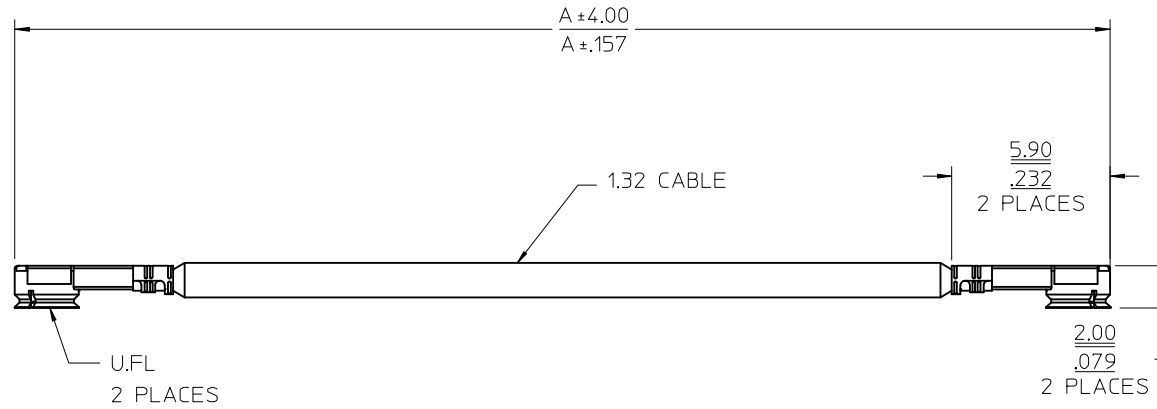
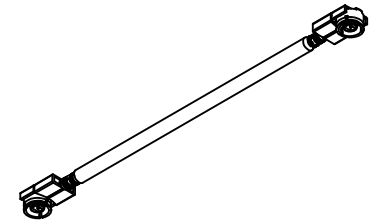
BODY: PHOSPHOR BRONZE  
PLATED GOLD

CENTER CONTACT: PHOSPHOR BRONZE  
PLATED GOLD

HOUSING: PBT

CABLE: 1.32 CABLE

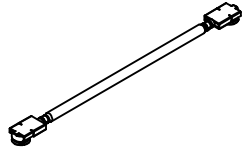
MATED HEIGHT OF U.FL: 2.5MM (.098)



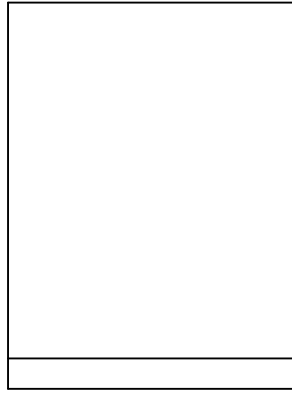
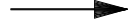
5	73412-0508	50.00	1.969
4	73412-0506	90.00	3.543
3	73412-0504	162.00	6.378
2	73412-0502	110.00	4.330
1	73412-0500	42.00	1.650
	PART NO.	DIMENSION A	

PART NO. 73118-0250 IS 73412-0502  
PACKAGED ONE PIECE PER BAG

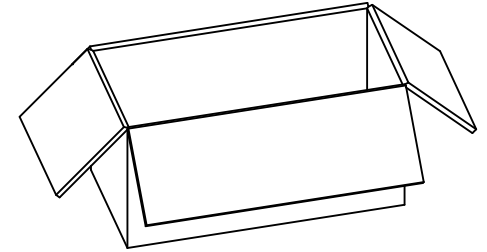
ADDED PACKAGE (SHEET 2) PER RF14-E004 EC NO: URF2014-0010 DRW: NELIN 2013/07/03 CHKD: APPR: MHIUANG 2013/07/10 REV: 3	QUALITY SYMBOLS	GENERAL TOLERANCES (UNLESS SPECIFIED)	DIMENSION STYLE	SCALE	DESIGN UNITS	THIRD ANGLE PROJECTION
	$\nabla=0$ $\nabla=0$	mm INCH	MM/IN	METRIC	DRAWN BY: YCHENG DATE: 2010/04/30 CHECKED BY: KERRIE DATE: 2010/04/30 APPROVED BY: MHIUANG DATE: 2010/05/10	CA UFL TO UFL WITH 1.32 CABLE CA-UFL/UFL
		4 PLACES ± --- ± --- 3 PLACES ± --- ± --- 2 PLACES ± --- ± --- 1 PLACE ± --- ± ---	ANGULAR ± 2 °	TITLE: CA UFL TO UFL WITH 1.32 CABLE CA-UFL/UFL MOLEX INCORPORATED MATERIAL NO. SEE TABLE DOCUMENT NO. SD-73412-050		
		DRAFT WHERE APPLICABLE MUST REMAIN WITHIN DIMENSIONS	SIZE C	THIS DRAWING CONTAINS INFORMATION THAT IS PROPRIETARY TO MOLEX INCORPORATED AND SHOULD NOT BE USED WITHOUT WRITTEN PERMISSION		SHEET NO. 1 OF 2



PART NO. 73412-050X



1000 PCS PER BAG  
BAG P/N: 89707-0176



10000 PCS PER CARTON BOX  
CARTOM BOX P/N: 96707-0002

SEE SHEET 1 EC NO: URF2014-0010 DRWNLIN 2013/07/03 CHKD: APPR: MHUANG 2013/07/10	QUALITY SYMBOLS	GENERAL TOLERANCES (UNLESS SPECIFIED)		DIMENSION STYLE MM/IN		SCALE 1:5	DESIGN UNITS METRIC	THIRD ANGLE PROJECTION	
	▽=0	mm	INCH	DRAWN BY YCHENG	DATE 2010/04/30	TITLE CA UFL TO UFL WITH 1.32 CABLE CA-UFL/UFL			
	▽=0	4 PLACES ± ---	± ---	CHECKED BY KERRIE	DATE 2010/04/30				
	▽=0	3 PLACES ± ---	± ---	APPROVED BY MHUANG	DATE 2010/05/10	DOCUMENT NO. SD-73412-050		SHEET NO. 2 OF 2	
	2 PLACES ± ---	± ---	MATERIAL NO. SEE SHEET 1		THIS DRAWING CONTAINS INFORMATION THAT IS PROPRIETARY TO MOLEX INCORPORATED AND SHOULD NOT BE USED WITHOUT WRITTEN PERMISSION				
	1 PLACE ± ---	± ---	ANGULAR ± 2 °		DRAFT WHERE APPLICABLE MUST REMAIN WITHIN DIMENSIONS				
	0 PLACE ±	±							

# Mouser Electronics

Authorized Distributor

Click to View Pricing, Inventory, Delivery & Lifecycle Information:

[Molex:](#)

[73412-0502](#)