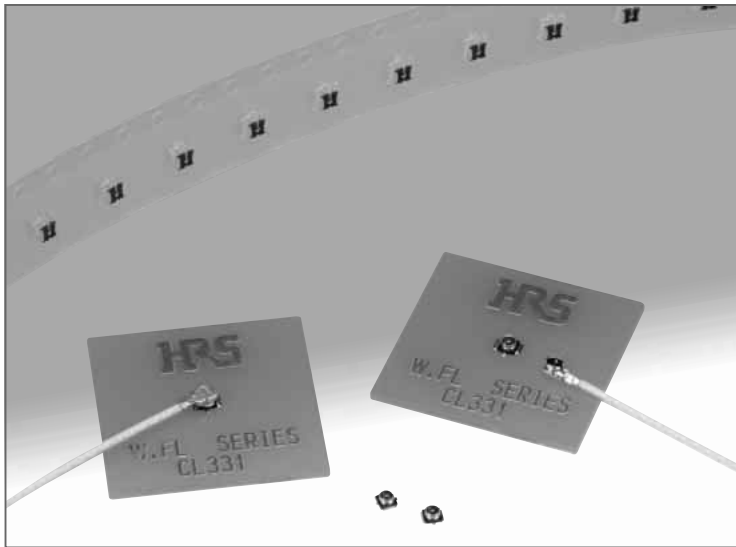


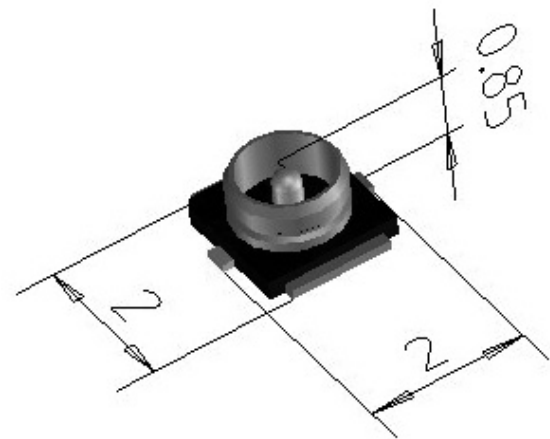
# Ultra Small Surface Mount Coaxial Connectors – 1.4mm Mated Height

## W.FL Series



### Up to 6 GHz Transmission Speed

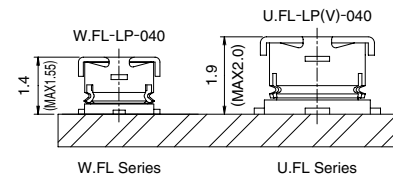
#### Occupied Mounting Area



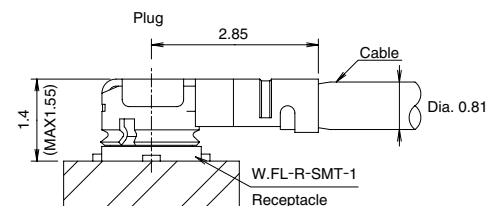
### Features

1. **Nominal mated height of 1.4 mm (Max. 1.5 mm)**
2. **Small mounting area**  
The receptacle occupies an area of 3.4mm<sup>2</sup>.
3. **Lightweight**  
Receptacle: 5.6 mg  
Right-angle plug: 18.6 mg
4. **Accepts high frequency transmission.**  
To meet the frequency requirements of a wide variety of miniature devices, the connectors offer high frequency performance from DC to 6 GHz, with a V.S.W.R. of 1.35max.
5. **Automatic board placement**  
Packaged on tape-and-reel the receptacles can be placed with vacuum nozzles of the automatic placement equipment.
6. **Plugs are terminated with ultra-fine coaxial (fluorinated resin insulated) cable**  
Standard ultra-fine coaxial cable of 0.81 mm diameter (single braid shielding) is used for the plug termination, assuring secure and stable connections.
7. **Simple connector mating / unmating**  
Use of available extraction tool assures correct disconnection of the plug and receptacle.
8. **Verification of the fully mated condition**  
Tactile click sensation confirms fully mated condition, assuring complete electrical and mechanical connection.

### Mated height comparison (with U.FL Series)



### W. FL Plug and Receptacle



### Applications

Cellular phones, PHS, mobile phones, wireless communication devices, electronic measuring instruments, GPS, wireless LAN, Bluetooth and any application requiring high frequency transmission using small coaxial connectors.

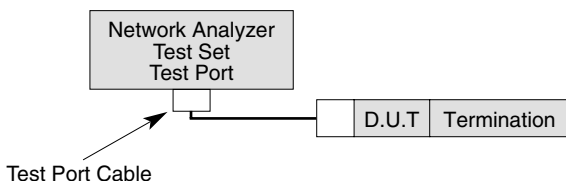
**W.FL Series Ultra Small Surface Mount Coaxial Connectors – 1.4mm Mated Height**

**Specifications**

Ratings	Nominal characteristic impedance	50 ohms	Operating temperature range	-40°C to +90°C
	Frequency range	DC to 6 GHz	Operating humidity	90% RH max.

Item	Specification	Conditions
1. Contact resistance	Center contact: 20m ohms max. Outer contact: 10m ohms max.	10mA max.
2. Insulation resistance	500M ohms min.	100V DC
3. Withstanding voltage	No flashover or insulation breakdown	200V AC / 1 minute
4. V.S.W.R.*	1.3 Max. 1.35 Max.	Up to 3 GHz 3 to 6 GHz
5. Durability	Contact resistance Center contact: 25m ohms max. Outer contact: 15m ohms max. No damage, cracks, or parts dislocation	20 cycles
6. Vibration	No electrical discontinuity of 1 μs or longer No damage, cracks, or parts dislocation	Frequency: 10 to 100 Hz, single amplitude of 1.5mm Acceleration: 59 m/s <sup>2</sup> , in each of 3 axis 5 cycles
7. Shock	No electrical discontinuity of 1 μs or longer No damage, cracks, or parts dislocation	Acceleration of 735 m/s <sup>2</sup> , 11 ms continuous time Waveform: sine half-wave, 3 cycles in each of the 3 axis
8. Humidity	Insulation resistance: 10M ohms min. (high humidity) Insulation resistance: 500M ohms min. (dry) No damage, cracks, or parts dislocation	96 hours at temperature of +40°C and humidity of 95%
9. Temperature cycle	No damage, cracks, or parts dislocation Contact resistance: 25m ohms max. (Center) 15m ohms max. (Outer)	Temperature: -40°C → +5°C to +35°C → +90°C → +5°C to +35°C Time: 30 min. → 3 min. → 30 min. → 3 min. 5 cycles
10. Salt spray test	No excessive corrosion	5% salt water solution, 48 hours

\*V.S.W.R. Measurement System  
 Measured as shown on the block diagram below.



Note1: Measurement way of a W.FL Cable assembly (plug)  
 W.FL Cable assembly (plug) is measured with SMA conversion adapters mated with W.FL plugs at both ends of a 100cm coaxial cable harness

Note2: Measurement way of a W.FL receptacle  
 W.FL receptacle, which is mounted on a 50 ohms glass epoxy board, is measured with a SMA conversion adapter.

**Materials / Finishes**

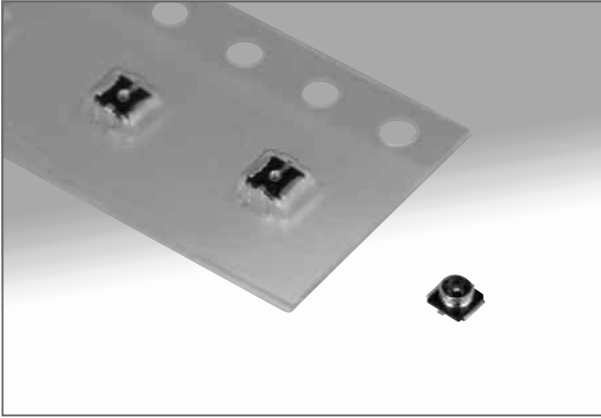
**●Plug – right angle**

Part	Material	Finish	Remarks
Shell	Phosphor bronze	Silver plated	—
Female center contact	Phosphor bronze	Gold plated	—
Insulator	PBT	Color: Black	UL94V-0

**●Receptacle**

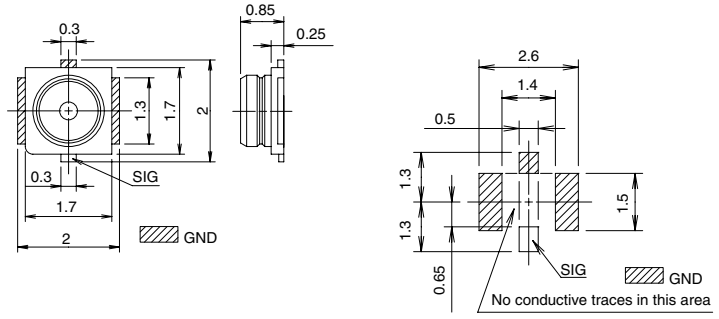
Part	Material	Finish	Remarks
Male center contact	Brass	Gold plated	—
Insulator	LCP	Color: Black	UL94V-0
Shell	Phosphor bronze	Silver plated	—

## ■ Receptacle



Note : Receptacles of (10) specification are sold by the reel (2,000 pieces).  
 Order by reel.

## ◆ Recommended PCB mounting pattern



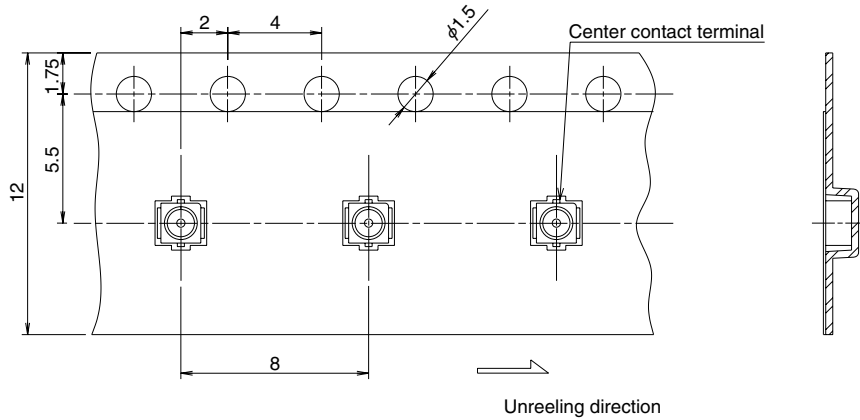
Recommended screen thickness: 0.1mm to 0.12mm

All dimensions: mm

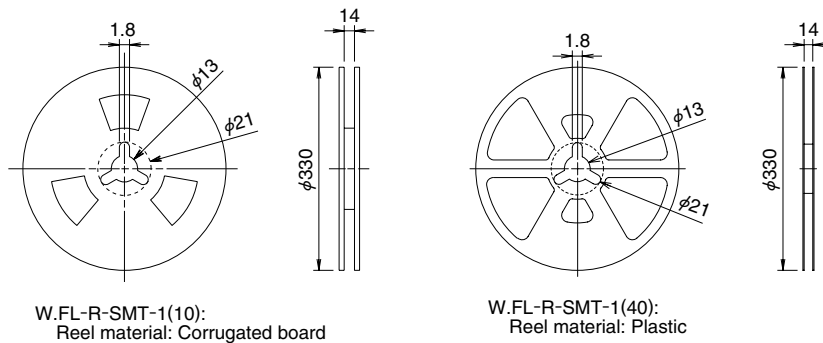
Part Number	CL No.	Packaging	Weight / EA	RoHS
W.FL-R-SMT-1(10)	CL331-0482-6-10	Reel (2000 pieces/reel)	5.6 mg	YES
W.FL-R-SMT-1(40)	CL331-0482-6-40	Reel (5000 pieces/reel)		

## ◆ Packaging Specifications

### Embossed Carrier Tape Dimensions

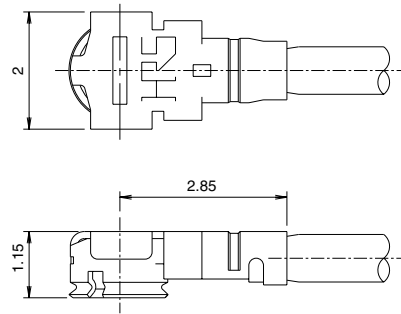


### Reel Dimensions



All dimensions: mm

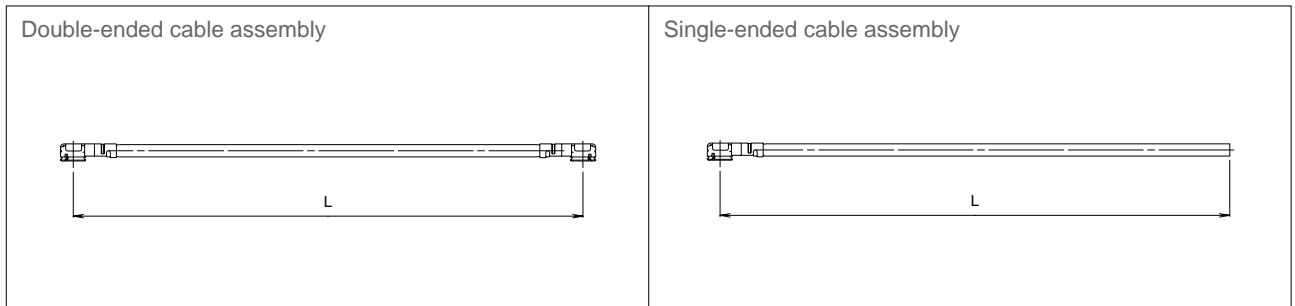
## ■ Plug Assembly (Plug)



Plugs can be ordered only as terminated cable assemblies.

All dimensions: mm

## ■ How to Specify Plug Cable Assembly



## ● Ordering Information

**W.F.L – 2LP – 04N [ ] T – A – (L)**

①
②
③
④
⑤

① Series name	W.F.L
② Assembly type	LP : Single ended 2LP : Double ended
③ Cable type	04N : Dia. 0.81mm ultra-fine coaxial cable
④ Cable color	1: White, 2: Black
⑤ Total length (mm)	Length (L)

## ● Standard tolerances for (L) (Note 2)

(L)	Standard Tolerance
L=35mm to 200mm	±4mm (Note 1)
L=200mm to 500mm	±8mm
L=500mm to 1000mm	±12mm
L= Longer than 1000mm	±1.5% of (L)

Note1: Minimum available length (L) is 35mm

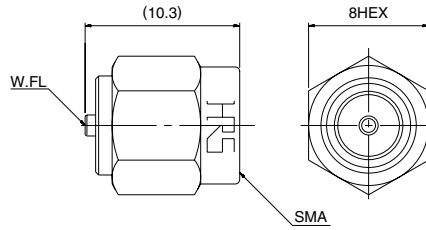
Note2: Contact nearest HRS representative if different tolerances are required.

Note3: Contact Nearest HRS representative if one end requires preparation.

Part No. of Cable Assembly	Description	RoHS
W.F.L-2LP-04N1T-A-(L)	Dia. 0.81mm double ended coaxial cable, color: white	YES

## ■ Conversion Adapters

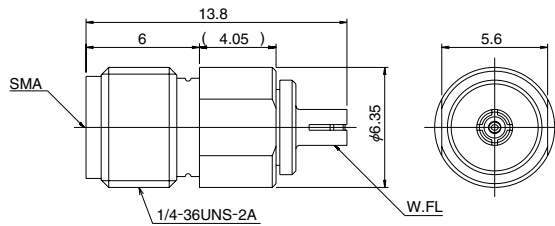
### ● SMA Conversion Adapter (W.FL side jack – SMA side plug)



Note:Used for performance measurements only.  
The W.FL mating side has lower retention force than the regular product when mated to the corresponding part.

Part No.	CL No.	RoHS
HRMP-W.FLJ(40)	311-0367-3-40	YES

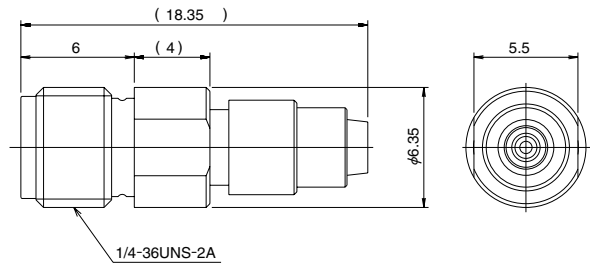
### ● SMA Conversion Adapter (W.FL side plug – SMA side jack)



Note:Used for performance measurements only.  
The W.FL mating side has lower retention force than the regular product when mated to the corresponding part.

Part No.	CL No.	RoHS
HRMJ-W.FLP(40)	311-0368-6-40	YES

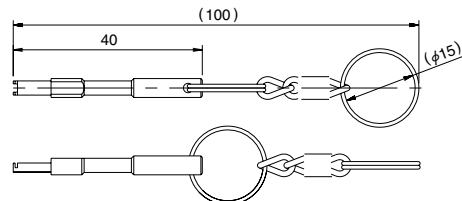
### ● SMA Conversion Adapter



Note:When mating with corresponding part (W.FL-R-SMT-1) it must be pressed down and held to make complete connection.

Part No.	CL No.	RoHS
HRMJ-W.FLP-ST1(40)	311-0386-8-40	YES

## ■ Plug Extraction Tool



Part No.	CL No.	RoHS
W.FL-LP-N	331-0492-0	YES

**W.F.L Series Ultra Small Surface Mount Coaxial Connectors – 1.4mm Mated Height**

**■Precautions**

**1. Plug**

(1) Mating / unmating	<ul style="list-style-type: none"> <li>• <b>Unmating</b> Insert both ends of the extraction tool under the plug (from the direction opposite to the Cable termination), as shown and pull-up in the direction perpendicular to the mounting surface of the receptacle.                             <ul style="list-style-type: none"> <li>● Recommended the use of the extraction tool for unmating. Any attempt of unmating by pulling on the cable may result in damage and affect the mechanical / electrical performance.</li> </ul> </li> <li>• <b>Mating</b> Do not attempt to insert on an extreme angle.</li> </ul>	
(2) Pull forces on the cable after connectors are mated	<p>After the connectors are mating, do not apply a load to the cable in excess of the values indicated in the diagram.</p>	
(3) Precautions	Do not twist connectors excessively during mating / unmating.	

**2. Receptacle**

(1) Recommended reflow temperature profile	<ul style="list-style-type: none"> <li>① The temperature of the printed circuit board surface temperature at the points of contact with the terminals.</li> <li>② Reflow soldering should be performed at a printed circuit surface temperature of 250°C max.</li> <li>③ In individual applications the actual temperature may vary, depending on the solder paste type, volume / thickness and board size / thickness. Consult your solder paste and equipment manufacturer for specific recommendations.</li> </ul>	
(2) Manual soldering	Soldering iron temperature: 350°C, Soldering time: for 5 seconds max.	
(3) Recommended metal mask thickness	0.1 mm to 0.12 mm	
(4) Reflow cycles	2 times	

**3. Operating environment and storage conditions**

(1) Operating environment	<p>The connectors are not designed to operate in the following environments:</p> <ul style="list-style-type: none"> <li>• Exposed to a excessive amounts of fine particles and dust</li> <li>• Regions and places having a high density of sulfur dioxide, hydrogen sulfide, nitrogen dioxide or other corrosive gasses.</li> <li>• Environments having large rapid variations in temperature.</li> </ul>	
(2) Storage conditions - Receptacle	<p>Store in the Hirose Electric packaging.                  Temperature: -10 to +40°C, Humidity: 85% max.                  Use within 6 months of delivery.                  Receptacles for which the storage period has elapsed must be tested for solderability to the PC board mounting surface.</p>	



**HIROSE ELECTRIC CO.,LTD.**

5-23,OSAKI 5-CHOME,SHINAGAWA-KU,TOKYO 141-8587,JAPAN  
 PHONE: 81-3-3491-5300, FAX: 81-3-3495-5230  
<http://www.hirose.com>  
<http://www.hirose-connectors.com>

# Mouser Electronics

Authorized Distributor

Click to View Pricing, Inventory, Delivery & Lifecycle Information:

## Hirose Electric:

[W.FL-LP-04N1-A-\(800\)](#) [W.FL-2LP-04N1-A-\(400\)](#) [W.FL-LP-04N1-A-\(90\)](#) [W.FL-LP-04N1-A-\(60\)](#) [W.FL-LP-04N1-A-\(80\)](#)  
[W.FL-LP-04N1-A-\(40\)](#) [W.FL-2LP-04N1-A-\(180\)](#) [W.FL-LP-04N1-A-\(70\)](#) [W.FL-2LP-04N1-A-\(800\)](#) [W.FL-LP-04N1-A-](#)  
[\(190\)](#) [W.FL-LP-04N1-A-\(110\)](#) [W.FL-LP-04N1-A-\(400\)](#) [W.FL-LP-04N1-A-\(210\)](#) [W.FL-2LP-04N1-A-\(240\)](#) [W.FL-2LP-](#)  
[04N1-A-\(220\)](#) [W.FL-2LP-04N1-A-\(260\)](#) [W.FL-LP-04N1-A-\(50\)](#) [W.FL-LP-04N1-A-\(250\)](#) [W.FL-LP-04N1-A-\(35\)](#) [W.FL-](#)  
[LP-04N1-A-\(260\)](#) [W.FL-LP-04N1-A-\(220\)](#) [W.FL-LP-04N1-A-\(200\)](#) [W.FL-2LP-04N1-A-\(600\)](#) [W.FL-LP-04N1-A-\(150\)](#)  
[W.FL-2LP-04N1-A-\(110\)](#) [W.FL-LP-04N1-A-\(900\)](#) [W.FL-2LP-04N1-A-\(150\)](#) [W.FL-2LP-04N1-A-\(130\)](#) [W.FL-2LP-04N1-](#)  
[A-\(170\)](#) [W.FL-2LP-04N1-A-\(160\)](#) [W.FL-2LP-04N1-A-\(120\)](#) [W.FL-2LP-04N1-A-\(290\)](#) [W.FL-2LP-04N1-A-\(900\)](#) [W.FL-](#)  
[LP-04N1-A-\(130\)](#) [W.FL-LP-04N1-A-\(170\)](#) [W.FL-2LP-04N1-A-\(190\)](#) [W.FL-LP-04N1-A-\(140\)](#) [W.FL-LP-04N1-A-\(100\)](#)  
[W.FL-LP-04N1-A-\(180\)](#) [W.FL-LP-04N1-A-\(160\)](#) [W.FL-LP-04N1-A-\(120\)](#) [W.FL-2LP-04N1-A-\(200\)](#) [W.FL-LP-04N1-A-](#)  
[\(600\)](#) [W.FL-2LP-04N1-A-\(230\)](#) [W.FL-2LP-04N1-A-\(270\)](#) [W.FL-2LP-04N1-A-\(280\)](#) [W.FL-2LP-04N1-A-\(140\)](#) [W.FL-LP-](#)  
[04N1-A-\(700\)](#) [W.FL-2LP-04N1-A-\(300\)](#) [W.FL-LP-04N1-A-\(300\)](#) [W.FL-2LP-04N1-A-\(700\)](#) [W.FL-LP-04N1-A-\(500\)](#)  
[W.FL-2LP-04N1-A-\(60\)](#) [W.FL-2LP-04N2-A-\(90\)](#) [W.FL-2LP-04N2-A-\(70\)](#) [W.FL-2LP-04N2-A-\(40\)](#) [W.FL-2LP-04N1-A-](#)  
[\(80\)](#) [W.FL-2LP-04N1-A-\(40\)](#) [W.FL-2LP-04N1-A-\(50\)](#) [W.FL-2LP-04N2-A-\(35\)](#) [W.FL-2LP-04N2-A-\(50\)](#) [W.FL-2LP-](#)  
[04N2-A-\(60\)](#) [W.FL-2LP-04N2-A-\(80\)](#) [W.FL-2LP-04N1-A-\(250\)](#) [W.FL-2LP-04N1-A-\(70\)](#) [W.FL-2LP-04N1-A-\(90\)](#) [W.FL-](#)  
[LP-04N1-A-\(1000\)](#) [W.FL-2LP-04N2-A-\(300\)](#) [W.FL-2LP-04N2-A-\(130\)](#) [W.FL-2LP-04N2-A-\(700\)](#) [W.FL-2LP-04N2-A-](#)  
[\(150\)](#) [W.FL-2LP-04N2-A-\(110\)](#) [W.FL-2LP-04N2-A-\(190\)](#) [W.FL-2LP-04N2-A-\(170\)](#) [W.FL-2LP-04N1-A-\(35\)](#) [W.FL-2LP-](#)  
[04N2-A-\(1000\)](#) [W.FL-2LP-04N2-A-\(180\)](#) [W.FL-2LP-04N2-A-\(600\)](#) [W.FL-2LP-04N2-A-\(400\)](#) [W.FL-2LP-04N2-A-\(800\)](#)  
[W.FL-2LP-04N2-A-\(140\)](#) [W.FL-2LP-04N2-A-\(120\)](#) [W.FL-2LP-04N2-A-\(160\)](#) [W.FL-2LP-04N2-A-\(500\)](#) [W.FL-R-SMT-](#)  
[1\(40\)](#) [W.FL-2LP-04N2-A-\(200\)](#) [W.FL-2LP-04N2-A-\(900\)](#) [W.FL-2LP-04N1-A-\(100\)](#) [W.FL-2LP-04N1-A-\(1000\)](#) [W.FL-](#)  
[2LP-04N1-A-\(500\)](#) [W.FL-2LP-04N2-A-\(100\)](#) [W.FL-2LPG-062N2D-A\(100\)](#) [W.FL-2LPG-062N2D-A\(35\)](#) [W.FL-2LPG-](#)  
[062N2D-A\(40\)](#) [W.FL-2LPG-062N2D-A\(70\)](#) [W.FL-R-1](#) [W.FL-R-SMT-1\(10\)](#) [HRMJ-W.FLP\(40\)](#) [HRMP-W.FLJ\(40\)](#)  
[W.FL/CR-AD\(63\)](#)