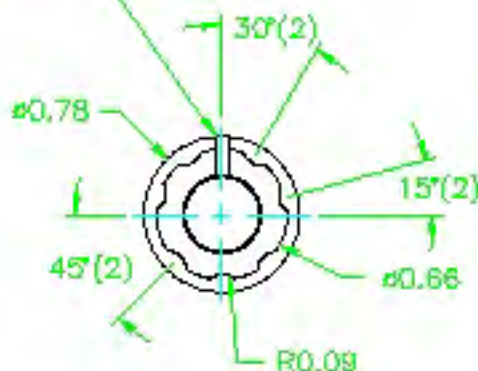


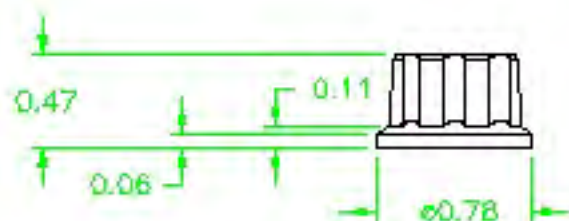
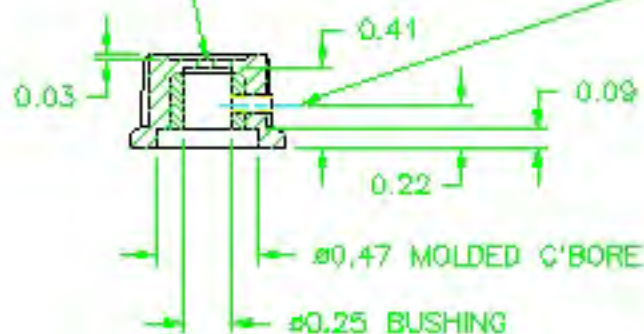
THIS DRAWING IS THE PROPERTY OF DAVIES MOLDING COMPANY, IS SUBMITTED SOLELY AS A DESIGN OR ENGINEERING PROJECT. WE ACCEPT NO RESPONSIBILITY WHATSOEVER FOR THE PRACTICAL APPLICATION OF THE PIECES MADE TO THIS DESIGN.

LINE PAINT FILLED
IN WHITE



Ⓐ Ⓑ
M3 X 0.5 TAPPED SET SCREW HOLE
FULL TREAD REQUIRED IN BODY OF KNOB
M3 X 0.5 X 4 LG. SLOTTED SET SCREW
H.H. BRASS

INLAY-SPUN SILVER



Ⓐ Ⓑ

MATERIAL: PHENOLIC
COLOR: BLACK

TOLERANCES: UNLESS OTHERWISE SPECIFIED	DO NOT SCALE DRAWING			
DECIMALS: X.XXX ± .005 X.XX ± .015	MM: X.XX ± 0.15MM X.X ± 0.4MM	-	REVISED ALTERNATE SET SCREW	JAM 8/6/01
		B	ALTERNATE WAS METRIC	JAM 6/3/01
		A	ADDED SET SCREW DETAIL	RF 7/7/98
FRACTIONS ± 1/64	ANG. ± °	CHANGES		

Mouser Electronics

Authorized Distributor

Click to View Pricing, Inventory, Delivery & Lifecycle Information:

[Davies Molding:](#)

[1100](#)