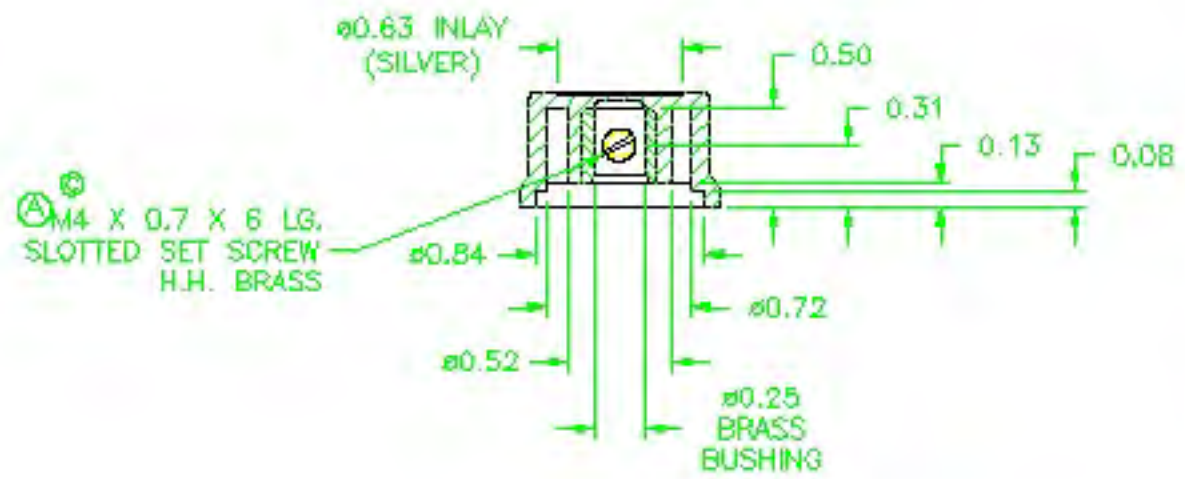
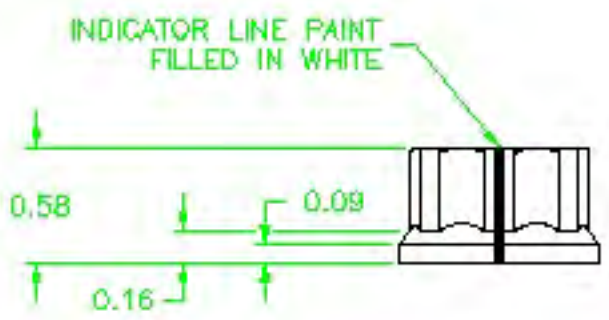
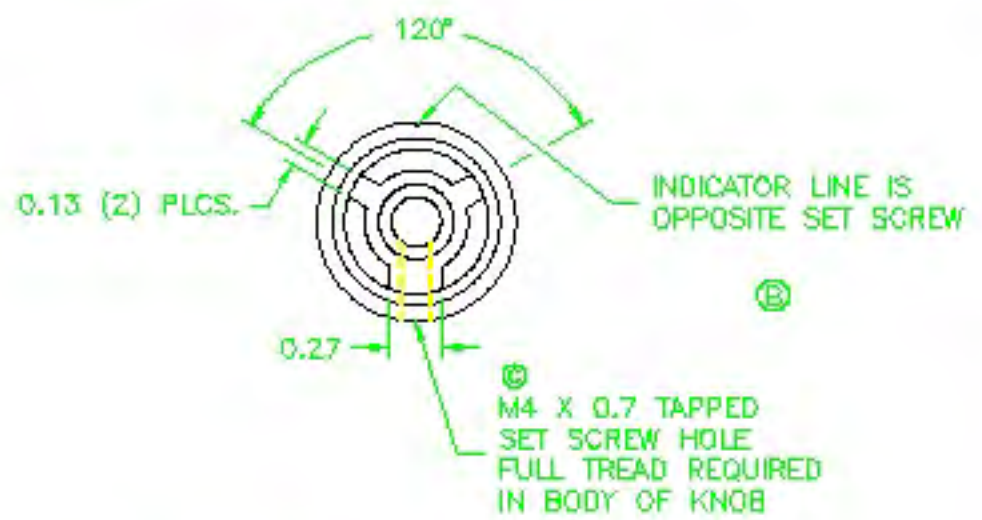
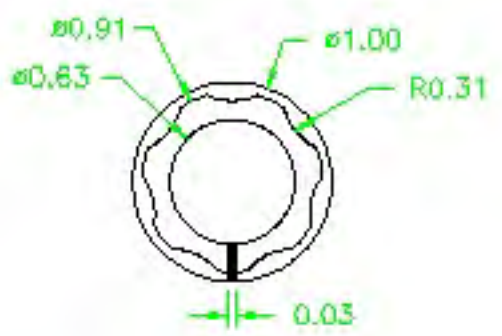


THIS DRAWING IS THE PROPERTY OF DAVIES MOLDING COMPANY, IS SUBMITTED SOLELY AS A DESIGN OR ENGINEERING PROJECT. WE ACCEPT NO RESPONSIBILITY WHATSOEVER FOR THE PRACTICAL APPLICATION OF THE PIECES MADE TO THIS DESIGN.



Ⓢ

MATERIAL: PHENOLIC
COLOR: BLACK

TOLERANCES: UNLESS OTHERWISE SPECIFIED	DO NOT SCALE DRAWING	-	REMOVED ALTERNATE SET SCREW	JAM	8/8/01
DECIMALS: X.XXX ± .005 X.XX ± .015	MM: X.XX ± 0.15MM X.X ± 0.4MM	⊘	ALTERNATE WAS METRIC	JAM	8/5/01
FRACTIONS ± 1/64	ANG. ± 1'	B	ADDED SET SCREW HOLE DETAIL AND ALTERNATE METRIC SET SCREW	RF	4/28/98
		A	WAS SET SCREW	JRM	11/3/97
CHANGES					

Mouser Electronics

Authorized Distributor

Click to View Pricing, Inventory, Delivery & Lifecycle Information:

[Davies Molding:](#)

[1105](#)