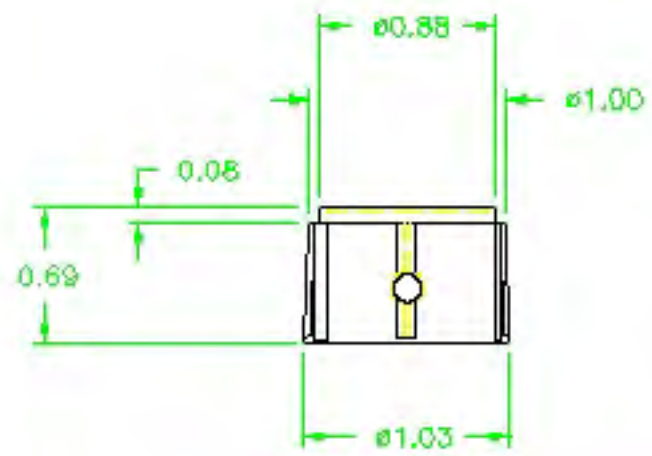


PART NAME: KNOB SCALE: 1:1 DATE: 8/19/93 DR. BY: HD

DAVIES MOLDING COMPANY
CAROL STREAM, ILLINOIS 60188

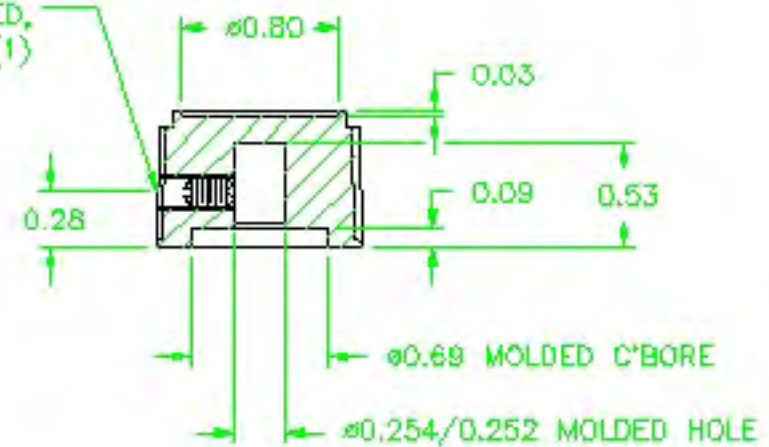
P/N	12D4AZ
BASE PART	1204-03
SET SCREW	I0357
INLAY	I0787

THIS DRAWING IS THE PROPERTY OF DAVIES MOLDING COMPANY, IS SUBMITTED SOLELY AS A DESIGN OR ENGINEERING PROJECT. WE ACCEPT NO RESPONSIBILITY WHATSOEVER FOR THE PRACTICAL APPLICATION OF THE PIECES MADE TO THIS DESIGN.



USE #28 DRILL (0.140), #8-32 TAP, #8-32 X 1/4 LG. CUP POINTED, SLOTTED TYPE, SET SCREW I0357 (1)

SECTION A-A



NOTES:
MOLDED HOLE OF KNOB MUST BE (0.254/0.252 DIA.) AND MUST BE CHECKED WITH ABOVE SIZE PIN GAUGE FOR PROPER MOLDED HOLE CONDITIONS

MATERIAL: G.P. PHENOLIC (B11)
COLOR: BLACK

TOLERANCES: UNLESS OTHERWISE SPECIFIED	DO NOT SCALE DRAWING			
DECIMALS: X.XXX ± .005 X.XX ± .015	MM: X.XX ± 0.15MM X.X ± 0.4MM			
FRACTIONS ± 1/64	ANG. ± 1'			
		CHANGES		

UPDATED/HD TOOLBOX ST 6/25/2008

Mouser Electronics

Authorized Distributor

Click to View Pricing, Inventory, Delivery & Lifecycle Information:

[Davies Molding:](#)

[1204AZ](#)