

# Piezoelectric Sound Components



## Piezoelectric Sounders External Drive SMD Type

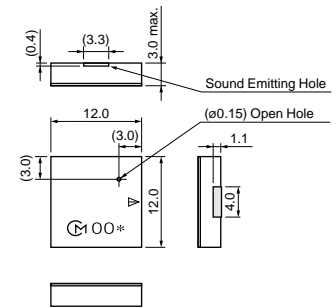
Taking advantage of extensive acoustic and mechanical design technology and high performance ceramics, Murata has developed SMD piezoelectric sounders that suit the thin, high-density design of electronic equipment.

### ■ Features

1. Small, thin and lightweight
2. High sound pressure level and clear sound
3. Reflowable
4. Tape & Reel supply



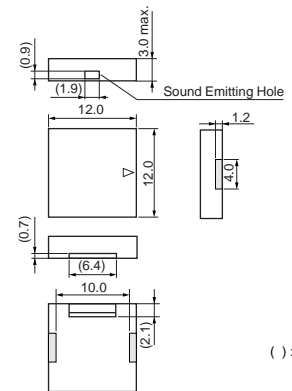
PKLCS1212E2000-R1



( ) : Ref. only  
(in mm)  
Tol. ±0.2



PKLCS1212E4001-R1

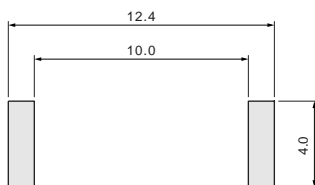


( ) : Ref. only  
(in mm)  
Tol. ±0.2

5

Part Number	Sound Pressure Level (dB)	Operating Voltage Range (Vp-p)	Operating Temp. Range (°C)	Storage Temp. Range (°C)	Use
PKLCS1212E2000-R1	70 min.[3Vp-p,2kHz,square wave,10cm]	25 max.	-20 to +70	-30 to +80	For consumer electronics
PKLCS1212E20A0-R1	70 min.[3Vp-p,2kHz,square wave,10cm]	25 max.	-40 to +85	-40 to +85	For automotive electronics
PKLCS1212E4001-R1	75 min.[3Vp-p,4kHz,square wave,10cm]	25 max.	-20 to +70	-30 to +80	For consumer electronics
PKLCS1212E40A1-R1	75 min.[3Vp-p,4kHz,square wave,10cm]	25 max.	-40 to +85	-40 to +85	For automotive electronics

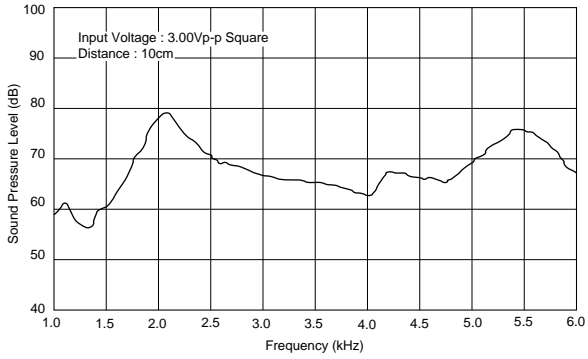
### ■ Standard Land Pattern Dimensions



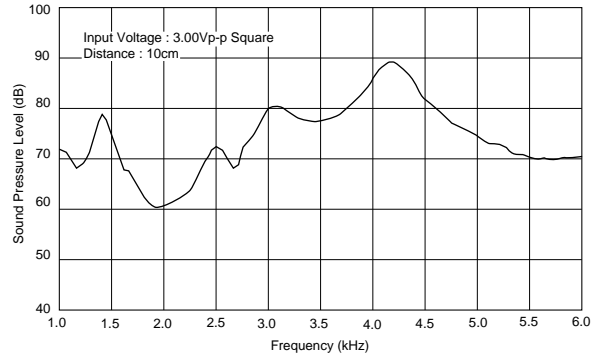
(in mm)

## ■ Freq. Response (Square Wave 3Vp-p, 10cm)

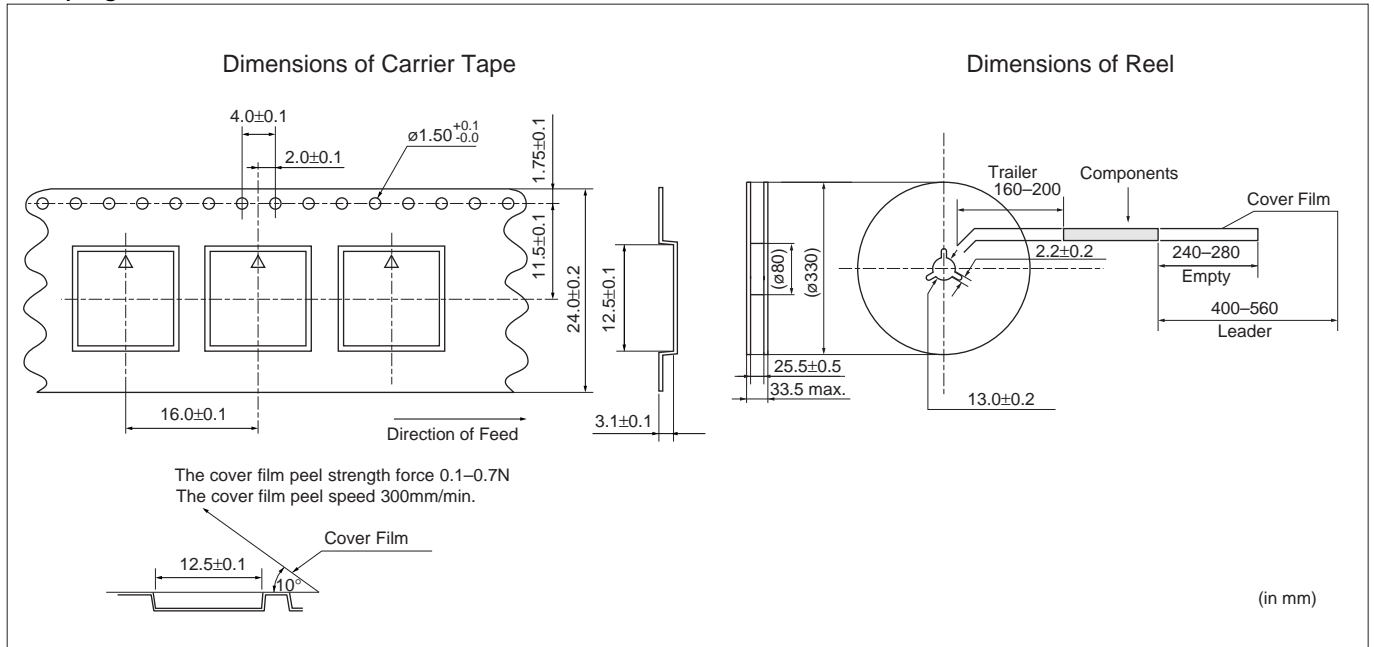
PKLCS1212E2000-R1



PKLCS1212E4001-R1



## ■ Taping Dimension



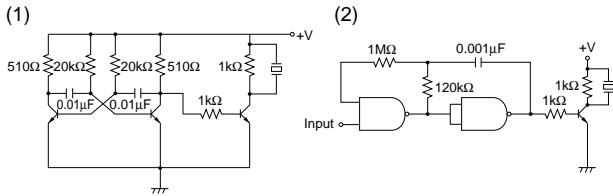
5

# Piezoelectric Sounders (External Drive SMD Type) Circuit/Notice

## ■ Circuit

The following are examples of externally driven circuits.

- (1) Unstable multi-vibrator using Tr.
- (2) Circuits using inverters or NAND gates.

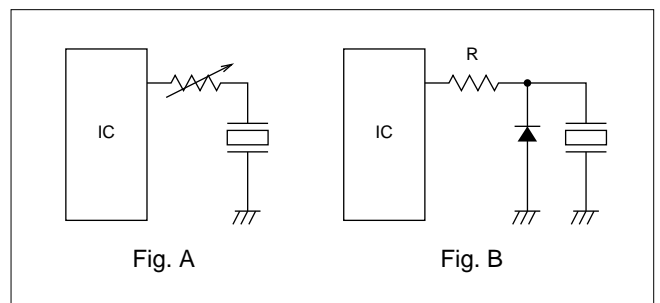


## ■ Notice (Soldering and Mounting)

Washing of the component is not acceptable, because it is not sealed.

## ■ Notice (Handling)

1. The component may be damaged if mechanical stress exceeding specifications is applied.
2. Take care to protect operating circuit from surge voltage resulting from excessive force, falling, shock or temperature change.
3. If DC voltage is applied to the component, silver migration may occur. Please pay full attention to avoid subjecting the component to DC voltage for long periods.
4. The resistor should be used as shown in Fig. A.  
 A suitable resistance value should be chosen, preferably 1kΩ to 2kΩ. Instead of this measure, a diode may also be applied as shown in Fig. B.



5. Avoid excessive pulling of lead wire because wire may break or soldering point may come off.

5

## Piezoelectric Sounders/Piezoelectric Buzzers/Piezoelectric Ringers (PIEZORINGER®)

(Part Number)

PK	M	13	E	P	YH	40	00	P	-A0
①	②	③	④	⑤	⑥	⑦	⑧	⑨	⑩

### ① Product ID

Product ID	
PK	Piezoelectric Sound Components

### ② Product

Code	Product
M	Sounder, Ringer
B	Buzzer

### ③ Outer Dimensions

Expressed by two figures in mm.

Ex.)

Code	Outer Dimensions
13	∅12.6mm

### ④ Drive

Code	Drive
E	External-Drive
S	Self-Drive

### ⑤ Outer Electrode Style

Code	Outer Electrode Style
P	Pin Type
W	Lead Wire Type

### ⑥ Structure

Code	Structure
T□	Standing Type
P□	Flat Type Auto-assemble
Y□	Flat Type/Available for Taping
C□	Flat Type/Semi-auto-assemble
□	Exclude above mentioned

□ means specification of outer electrode.

## SMD Piezoelectric Sounder

(Part Number)

PK	LCS	1212	E	40	01	-R1
①	②	③	④	⑤	⑥	⑦

### ① Product ID

Product ID	
PK	Piezoelectric Sound Components

### ② Product

Code	Product
LCS	SMD Sounder

### ③ Dimensions

Code	Outer Dimensions
1212	□12mm

### ④ Drive

Code	Drive
E	External Drive

### ⑦ Oscillating Frequency Type

Code	Oscillating Frequency Type
40	Expressed resonant frequency by two-digit alphanumerics. The unit is in 100 hertz (Hz). In case of 4kHz (4000Hz), expressed as "40".

### ⑧ Individual Specification Code

Code	Individual Specification Code
00	Two digits express custom specification in characteristics.

### ⑨ Special Quality Guarantee

Code	Special Quality Guarantee
P	Post Plated Terminal
—	Blank

### ⑩ Packaging

Code	Packaging
-B0	Bulk
-A0	Radial Taping
-M0	Magazine

Radial taping or magazines are not available for all types.

Please contact us.

Packaging Code is blank in the case of types for which radial taping or magazines are not available.

### ⑤ Oscillating Frequency Type

Code	Oscillating Frequency Type
40	Expressed resonant frequency by two-digit alphanumerics. The unit is in 100 hertz (Hz). In case of 4kHz (4000Hz), expressed as "40".

### ⑥ Individual Specification Code

Code	Individual Specification Code
01	Two digits express specific specification in characteristics.

### ⑦ Packaging

Code	Packaging
-R1	Plastic taping

# Mouser Electronics

Authorized Distributor

Click to View Pricing, Inventory, Delivery & Lifecycle Information:

[Murata:](#)

[PKLCS1212E4001-R1](#) [PKLCS1212E40A1-R1](#) [PKLCS1212E20A0-R1](#) [PKLCS1212E2400-R1](#) [PKLCS1212E24A0-R1](#)  
[PKLCS1212E2000-R1](#)