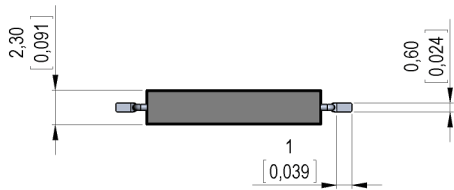
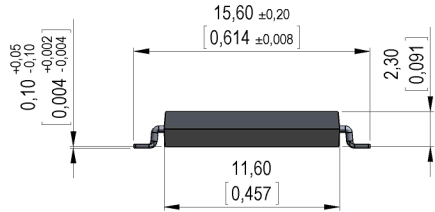


Dimensions mm[inch]
 tolerances according to DIN ISO 2768-m
 Toleranzen gem. DIN ISO 2768-m



Isometric
 Scale 2:1
 Maßstab 2:1

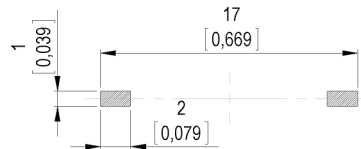


Marking

according to EN60062/factory code
 gem. EN60062/Fertigungsstätte

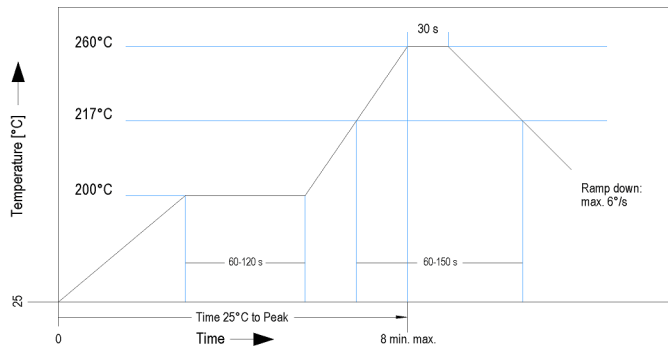


Recommended PCB Pad Layout

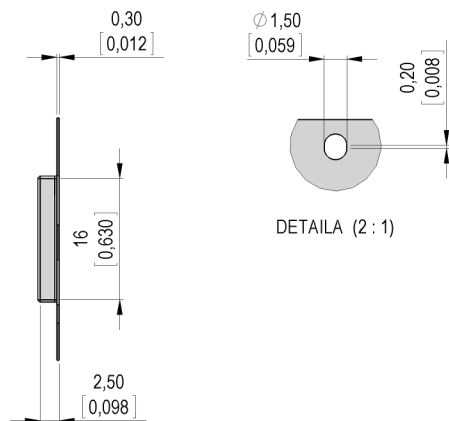
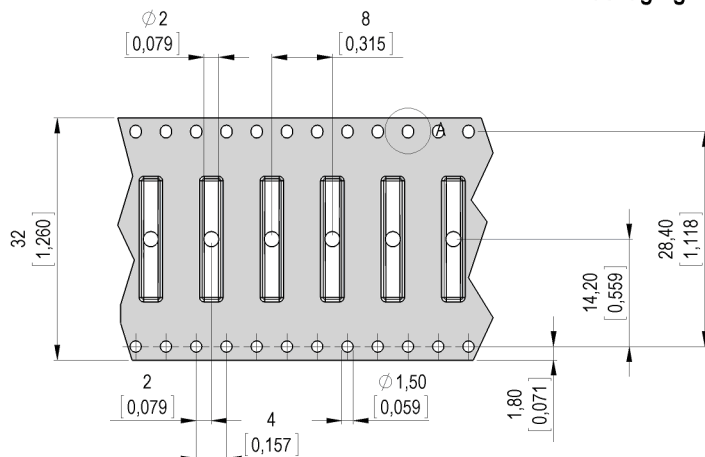


Solder Reflow Profile

reflow soldering conditions according to JEDEC norm J-STD 020D.1



Packaging



Modifications in the sense of technical progress are reserved

Designed at: 06.10.08 Designed by: THAUKE
 Last Change at: 12.12.13 Last Change by: THAUKE

Approval at: 06.10.08 Approval by: JHEYDER
 Approval at: 16.12.13 Approval by: AWEBER



Europe: +49 / 7731 8399 0 | Email: info@meder.com
 USA: +1 / 508 295 0771 | Email: salesusa@meder.com
 Asia: +852 / 2955 1682 | Email: salesasia@meder.com

Item No.:
9161870022
 Item:
MK16-B-2

Magnetic properties	Conditions	Min	Typ	Max	Unit
Pull-In	at 20°C	20		47	AT
Test equipment		KMS-11			
Pull-In	at 20°C	11		26	AT
Test equipment		KMS-03			
Pull-In in milliTesla (modified conta	MS150 - phys. caused tolerance +/- 0,1mT	1,1		2,3	mT
Test equipment		MS-150			

Contact data 87	Conditions	Min	Typ	Max	Unit
Contact-material	Plating thicknesses are proprietary	Rhodium			
Contact rating	Any DC combination of V & A not to exceed their individual max.'s			10	W
Switching voltage	DC or Peak AC			200	V
Carry current	DC or Peak AC			0,5	A
Switching current	DC or Peak AC			0,4	A
Contact resistance static	Measured with 40% overdrive Start Value			150	mOhm
Breakdown voltage	according to IEC 255-5	230			VDC

Special Product Data	Conditions	Min	Typ	Max	Unit
Housing material		epoxy resin			
Approval		UL-File No.E156887			

Environmental data	Conditions	Min	Typ	Max	Unit
Shock	1/2 sine wave duration 11ms			30	g
Vibration	from 10 - 2000 Hz			20	g
Ambient temperature		-40		130	°C
Storage temperature		-50		130	°C
Soldering Temperature Tsold	Reflow acc.IPC/JEDEC J-STD-020D.1			260	°C
Cleaning		fully sealed			

Modifications in the sense of technical progress are reserved

Designed at: 06.10.08 Designed by: THAUKE
 Last Change at: 12.12.13 Last Change by: THAUKE

Approval at: 06.10.08 Approval by: JHEYDER
 Approval at: 16.12.13 Approval by: AWEBER

Version: 15

Mouser Electronics

Authorized Distributor

Click to View Pricing, Inventory, Delivery & Lifecycle Information:

[Standex Electronics:](#)

[MK16-B-2](#)