

max. 180 m³/h

AC axial fans

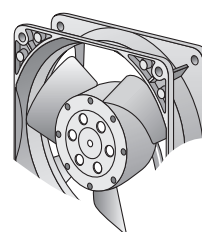
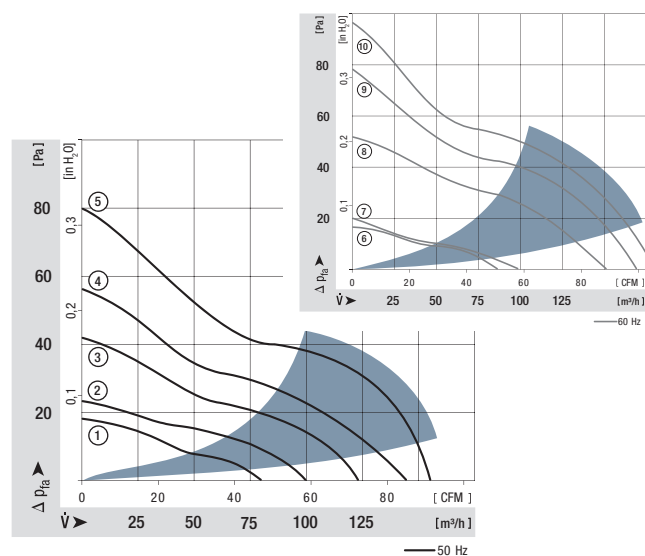
Series 4000 N 119 x 119 x 38 mm



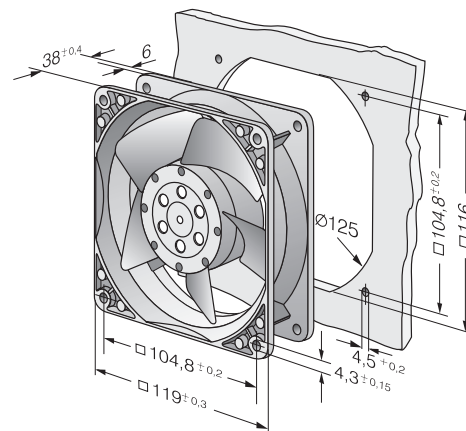
- AC fans with external rotor shaded-pole motor. Impedance protected against overloading.
- Metal fan housing and impeller
- Air intake over struts. Direction of rotation clockwise, seen on rotor.
- Types 4890 N and 4840 N air exhaust over struts.
- Electrical connection via 2 flat plugs 3.0 x 0.5 mm.
- Impeller with 3 or 5 blades, see note for fan type.
- Optionally available: Models with reinforced flanges and single leads.
- Fan housing with grounding lug for screw M 4 and UNC.
- Mass: 550 g.
- Please note our new ACmaxx series. With identical mounting dimensions and voltages, this series achieves higher energy efficiency.

Nominal data	Air flow		Nominal voltage	Frequency	Sound pressure level	Sound power level	Sinter sleeve bearings Ball bearings	Power input	Nominal speed	Temperature range	Service life L ₁₀		Curve
	m ³ /h	CFM									V	Hz	
4890 N	80	47,1	230	50	25	4,0	■	11,0	1 550	-10...+70	55 000 / 27 500	1	
4850 N*	100	58,9	230	50	32	4,4	■	10,0	1 800	-10...+70	57 500 / 27 500	2	
4580 N*	123	72,4	230	50	41	5,2	■	18,0	2 350	-10...+55	40 000 / 27 500	3	
4550 N*	145	85,3	230	50	44	5,4	■	16,5	2 550	-10...+55	42 500 / 30 000	4	
4650 N	160	94,2	230	50	46	5,4	■	19,0	2 650	-10...+55	37 500 / 27 500	5	
4656 N	160	94,2	230	50	47	5,5	■	19,0	2 650	-40...+85	37 500 / 15 000	5	
4840 N	85	50,0	115	60	26	4,1	■	10,0	1 650	-10...+75	57 500 / 25 000	6	
4800 N*	97	57,1	115	60	32	4,3	■	9,0	1 750	-10...+75	60 000 / 27 500	7	
4530 N*	151	88,9	115	60	45	5,4	■	16,0	2 700	-10...+65	42 500 / 25 000	8	
4500 N*	169	99,5	115	60	48	5,7	■	15,0	3 000	-10...+65	47 500 / 25 000	9	
4600 N	180	105,9	115	60	50	5,7	■	18,0	3 100	-10...+60	40 000 / 25 000	10	
4606 N	180	105,9	115	60	51	5,8	■	18,0	3 100	-40...+90	40 000 / 15 000	10	

230 V and 115 V versions are rated for both 50 Hz and 60 Hz operation.
For 60 Hz data, please refer to the corresponding 115 V 60 Hz model,
for 50 Hz data please refer to the corresponding 230 V 50 Hz model.



* Fan with 3 blades.



Mouser Electronics

Authorized Distributor

Click to View Pricing, Inventory, Delivery & Lifecycle Information:

[ebm-papst:](#)

[4650N](#) [4600VX-820](#)