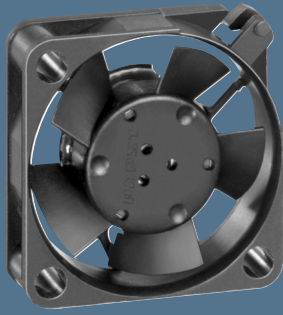


max. 4,5 m³/h

DC axial fans

Series 250 25 x 25 x 8 mm



Highlights:

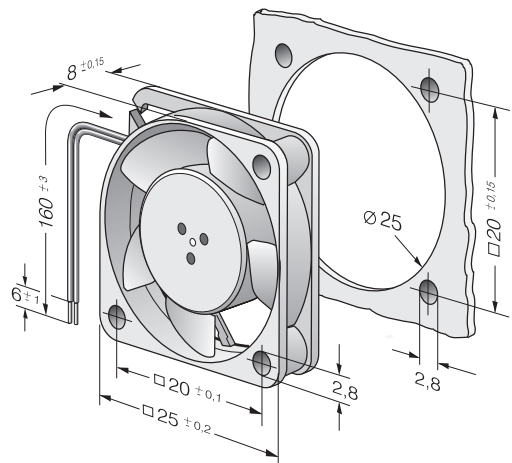
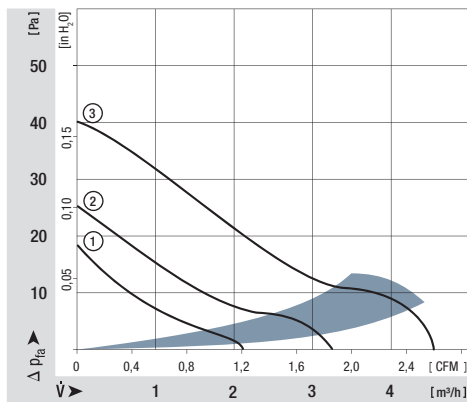
- Compact fan with low power consumption.

General characteristics:

- Material: fibreglass-reinforced plastic. Impeller PA, housing PBT.
- Fully integrated electronic commutation.
- Protected against reverse polarity and locking.
- Connection via single strands AWG 28, TR 64. Bared and tin-plated.
- Air exhaust over struts. Direction of rotation counter-clockwise, seen on rotor.
- Mass: 5 g.

| Nominal data | | Air flow | Air flow | Nominal voltage | Voltage range | Sound pressure level | Sound power level | Sinter sleeve bearings Ball bearings | Power input | Nominal speed | Temperature range | Service life L ₁₀ (20 °C) ebm-papst Standard | Service life L ₁₀ (60 °C) ebm-papst Standard | Life expectancy L ₁₀ ^Δ (40 °C) see P. 15 | Curve | Specials |
|--------------|--|-------------------|----------|-----------------|---------------|----------------------|-------------------|---|-------------|---------------|-------------------|--|--|---|--------|----------|
| Type | | m ³ /h | CFM | VDC | VDC | dB(A) | Bel(A) | □ / ■ | Watts | RPM | °C | Hours | Hours | Hours | P. 110 | |
| 255 M | | 2,1 | 1,2 | 5 | 4,5...5,5 | 5 | < 3 | □ | 0,2 | 6 000 | -10...+70 | 45 000 / 14 000 | 45 000 | 1 | | |
| 255 N | | 3,2 | 1,9 | 5 | 4,5...5,5 | 16 | < 3 | □ | 0,4 | 9 600 | -10...+70 | 40 000 / 12 000 | 40 000 | 2 | /2 | |
| 255 H | | 4,5 | 2,6 | 5 | 4,5...5,5 | 23 | 4,4 | □ | 0,6 | 12 000 | -10...+55 | 35 000 / 12 000* | 30 000 | 3 | /2 | |
| 252 N | | 3,2 | 1,9 | 12 | 10...14 | 15 | < 3 | □ | 0,5 | 9 000 | -10...+70 | 40 000 / 12 000 | 40 000 | 2 | /2 | |
| 252 H | | 4,5 | 2,6 | 12 | 10...14 | 23 | 4,4 | □ | 0,7 | 12 000 | -10...+55 | 35 000 / 12 000* | 30 000 | 3 | | |

* at 55 °C



Mouser Electronics

Authorized Distributor

Click to View Pricing, Inventory, Delivery & Lifecycle Information:

[ebm-papst:](#)

[252N](#) [255H](#) [255N](#) [255M](#) [255/2N](#)