

max. 61 m³/h

AC axial fans

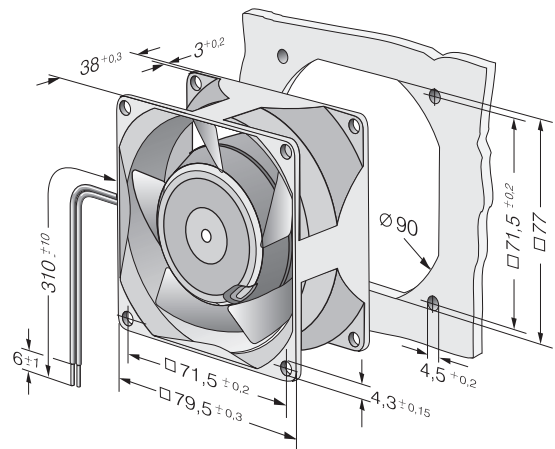
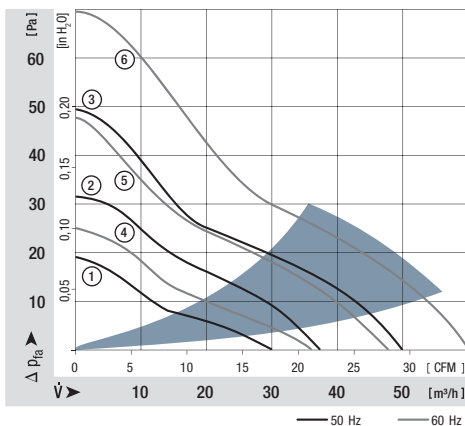
Series 8000 N 80 x 80 x 38 mm



- AC fans with external rotor shaded-pole motor. Impedance protected against overloading.
- Metal fan housing and impeller.
- Air exhaust over struts. Direction of rotation clockwise, seen on rotor.
- Electrical connection via 2 leads. Bared and tin-plated.
- Fan housing with grounding lug for screw M4 x 8 (TORX).
- Mass: 490 g.
- Please note our new ACmaxx series. With identical mounting dimensions and voltages, this series achieves higher energy efficiency.

Nominal data		Air flow	Air flow	Nominal voltage	Frequency	Sound pressure level	Sound power level	Sinter sleeve bearings Ball bearings	Power input	Nominal speed	Temperature range	Service life L ₁₀ at 40 °C	at T _{max}	Curve
Type		m ³ /h	CFM	V	Hz	dB(A)	Bel(A)	□ / ■	Watts	RPM	°C	Hours	Hours	
8880 N		30	17,7	230	50	18	3,3	□	9,0	1 750	-10...+80	60 000 / 25 000		1
8850 N		37	21,8	230	50	24	3,9	□	12,5	2 150	-10...+70	52 500 / 25 000		2
8550 N		50	29,4	230	50	30	4,4	□	12,0	2 700	-10...+70	52 500 / 25 000		3
8556 N		50	29,4	230	50	31	4,5	■	12,0	2 800	-40...+90	52 500 / 15 000		3
8830 N		36	21,2	115	60	21	3,7	□	8,0	1 950	-10...+80	62 500 / 25 000		4
8800 N		47	27,7	115	60	28	4,3	□	11,0	2 500	-10...+70	55 000 / 27 500		5
8500 N		61	35,9	115	60	34	4,8	□	11,0	3 200	-10...+75	55 000 / 25 000		6
8506 N		61	35,9	115	60	35	5,0	■	11,0	3 300	-40...+95	55 000 / 15 000		6

Fan type				Lead wires	
8830 N	8800 N	8550 N	8500 N	310 mm long	AWG 18, TR 64
8880 N				310 mm long	AWG 18, TR 64
8556 N	8506 N			310 mm long	AWG 22
8850 N				440 mm long	AWG 18, TR 64



Mouser Electronics

Authorized Distributor

Click to View Pricing, Inventory, Delivery & Lifecycle Information:

[ebm-papst:](#)

[8556N](#) [8880N](#)