

max. 135 m<sup>3</sup>/h

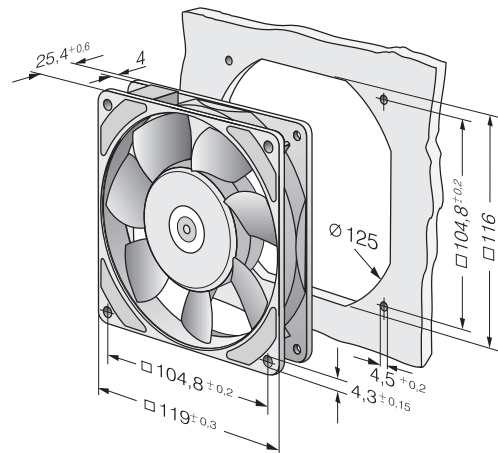
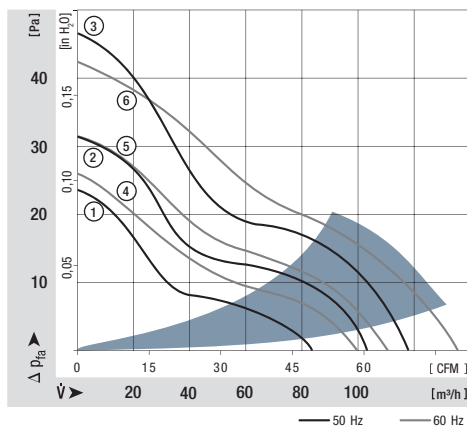
# AC axial fans

Series 9900 119 x 119 x 25 mm



- AC fans with external rotor shaded-pole motor. Protected against overloading by thermal cut-out.
- Metal fan housing and impeller.
- Air exhaust over struts. Direction of rotation counter-clockwise, seen on rotor.
- Electrical connection via 2 flat plugs 2.8 x 0.5 mm.
- Fan housing with grounding lug and screw M4 x 8 (TORX).
- Mass: 320 g.
- Please note our new ACmaxx series. With identical mounting dimensions and voltages, this series achieves higher energy efficiency.

Nominal data		Air flow	Air flow	Nominal voltage	Frequency	Sound pressure level	Sound power level	Sinter sleeve bearings Ball bearings	Power input	Nominal speed	Temperature range	Service life L <sub>10</sub> at 40 °C	at T <sub>max</sub>	Curve
Type		m <sup>3</sup> /h	CFM	V	Hz	dB(A)	Bel(A)	■ / □	Watts	RPM	°C	Hours	Hours	
9956 L		84	49,4	230	50	29	4,4	■	9,5	1850	-40...+80	57 500 / 22 500		1
9956 M		104	61,2	230	50	35	4,7	■	10,0	2250	-40...+80	57 500 / 22 500		2
9950		117	68,9	230	50	37	5,0	□	14,0	2450	-20...+70	47 500 / 22 500		3
9956		117	68,9	230	50	37	5,0	■	14,0	2450	-40...+70	47 500 / 22 500		3
9906 L		100	58,9	115	60	34	4,6	■	8,0	2100	-40...+80	62 500 / 25 000		4
9906 M		111	65,3	115	60	37	5,0	■	8,0	2450	-40...+80	62 500 / 25 000		5
9900		135	79,5	115	60	42	5,4	□	12,0	2850	-20...+70	52 500 / 25 000		6
9906		135	79,5	115	60	42	5,4	■	12,0	2850	-40...+70	52 500 / 25 000		6



# Mouser Electronics

Authorized Distributor

Click to View Pricing, Inventory, Delivery & Lifecycle Information:

[ebm-papst:](#)

[9906](#) [9900](#) [9956](#) [9906L](#) [9906M](#) [9950](#) [9956M](#)