

max. 102 m<sup>3</sup>/h

# DC axial fans

Series 3400 N 92 x 92 x 25 mm



### Highlights:

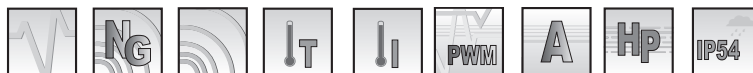
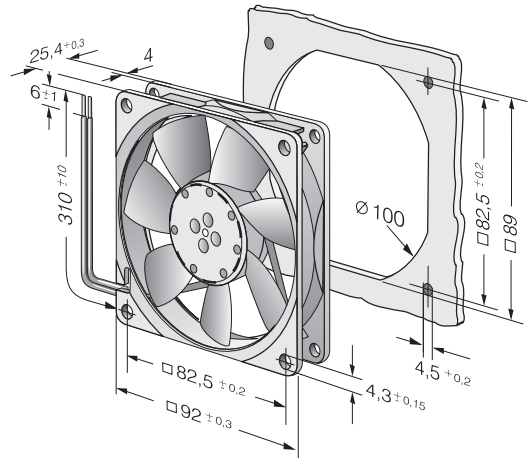
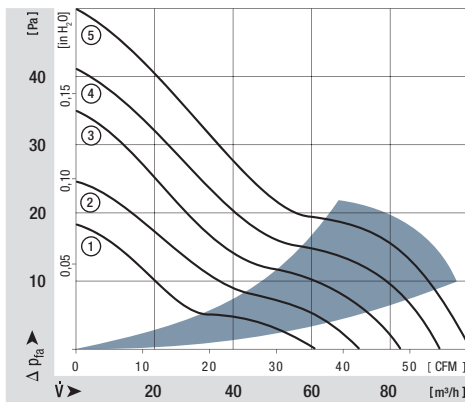
- Ball bearings and sleeve bearings available.
- Some models suitable for use at high ambient temperatures up to 85 °C.

### General characteristics:

- Material: fibreglass-reinforced plastic. Impeller PA, housing PBT.
- Fully integrated electronic commutation.
- Protected against reverse polarity and locking.
- Connection via single strands AWG 24, TR 64. Bared and tin-plated.
- Air exhaust over struts. Direction of rotation counter-clockwise, seen on rotor.
- Mass: 100 g.

| Nominal data | Air flow          |      | Nominal voltage | Voltage range | Sound pressure level | Sound power level | Sinter sleeve bearings<br>Ball bearings | Power input | Nominal speed | Temperature range | Service life L <sub>10</sub> (40 °C)<br>ebm-papst Standard | Service life L <sub>10</sub> (T <sub>max</sub> )<br>ebm-papst Standard | Life expectancy L <sub>10</sub> Δ<br>(40 °C) see P. 15 | Curve | Specials |
|--------------|-------------------|------|-----------------|---------------|----------------------|-------------------|---|-------------|---------------|-------------------|--|--|--|-------|----------|
|              | m <sup>3</sup> /h | CFM  |                 |               |                      |                   |   |             |               |                   |  |  |  |       |          |
| 3412 NGLE    | 61                | 35,9 | 12              | 8...15        | 23                   | 4,0               | □                                       | 1,1         | 1 950         | -20...+80         | 80 000 / 30 000  | 160 000  | 1  |       |          |
| 3412 NLE     | 61                | 35,9 | 12              | 8...15        | 23                   | 4,0               | ■                                       | 0,8         | 1 950         | -20...+85         | 80 000 / 27 500  | 160 000  | 1  |       |          |
| 3412 NGME    | 72                | 42,4 | 12              | 8...15        | 28                   | 4,3               | □                                       | 1,6         | 2 300         | -20...+75         | 75 000 / 32 500  | 150 000  | 2  |       |          |
| 3412 NME     | 72                | 42,4 | 12              | 8...15        | 28                   | 4,3               | ■                                       | 1,1         | 2 300         | -20...+75         | 75 000 / 32 500  | 150 000  | 2  | /2    |          |
| 3412 NG      | 84                | 49,4 | 12              | 8...15        | 32                   | 4,7               | □                                       | 2,2         | 2 700         | -20...+70         | 70 000 / 35 000  | 140 000  | 3  | /2    |          |
| 3412 N       | 84                | 49,4 | 12              | 8...15        | 32                   | 4,7               | ■                                       | 2,2         | 2 700         | -20...+70         | 70 000 / 35 000  | 140 000  | 3  | /2    |          |
| 3412 NGH     | 94                | 55,3 | 12              | 8...15        | 36                   | 5,0               | □                                       | 2,5         | 3 000         | -20...+70         | 70 000 / 35 000  | 140 000  | 4  |       |          |
| 3412 NH      | 94                | 55,3 | 12              | 8...15        | 36                   | 5,0               | ■                                       | 2,5         | 3 000         | -20...+70         | 70 000 / 35 000  | 140 000  | 4  | /39   |          |
| 3412 NGHH    | 102               | 60,0 | 12              | 8...13,2      | 39                   | 5,1               | □                                       | 3,2         | 3 250         | -20...+60         | 70 000 / 45 000  | 150 000  | 5  | /2    |          |
| 3412 NHH     | 102               | 60,0 | 12              | 8...13,2      | 39                   | 5,1               | ■                                       | 2,9         | 3 250         | -20...+60         | 70 000 / 45 000  | 150 000  | 5  | /2    |          |
| 3412 NHH-379 | 102               | 60,0 | 12              | 8...15        | 39                   | 5,1               | ■                                       | 2,7         | 3 250         | -20...+70         | 70 000 / 35 000  | 140 000  | 5  |       |          |
| 3414 NGL     | 61                | 35,9 | 24              | 18...28       | 23                   | 4,0               | □                                       | 1,4         | 1 950         | -20...+70         | 80 000 / 40 000  | 160 000  | 1  |       |          |
| 3414 NL      | 61                | 35,9 | 24              | 18...28       | 23                   | 4,0               | ■                                       | 1,4         | 1 950         | -20...+70         | 80 000 / 40 000  | 160 000  | 1  |       |          |
| 3414 NGM     | 72                | 42,4 | 24              | 18...28       | 28                   | 4,3               | □                                       | 1,8         | 2 300         | -20...+70         | 75 000 / 37 500  | 150 000  | 2  |       |          |
| 3414 NM      | 72                | 42,4 | 24              | 18...28       | 28                   | 4,3               | ■                                       | 1,8         | 2 300         | -20...+70         | 75 000 / 37 500  | 150 000  | 2  |       |          |
| 3414 NG      | 84                | 49,4 | 24              | 18...28       | 32                   | 4,7               | □                                       | 2,3         | 2 700         | -20...+70         | 70 000 / 35 000  | 140 000  | 3  |       |          |
| 3414 N       | 84                | 49,4 | 24              | 18...28       | 32                   | 4,7               | ■                                       | 2,3         | 2 700         | -20...+70         | 70 000 / 35 000  | 140 000  | 3  | /2    |          |
| 3414 NGH     | 94                | 55,3 | 24              | 18...26       | 36                   | 5,0               | □                                       | 3,0         | 3 000         | -20...+70         | 70 000 / 35 000  | 140 000  | 4  | /2    |          |
| 3414 NH      | 94                | 55,3 | 24              | 18...26       | 36                   | 5,0               | ■                                       | 3,0         | 3 000         | -20...+70         | 70 000 / 35 000  | 140 000  | 4  |       |          |
| 3414 NGHH    | 102               | 60,0 | 24              | 18...26       | 39                   | 5,1               | □                                       | 3,2         | 3 250         | -20...+70         | 70 000 / 35 000  | 140 000  | 5  | /2    |          |
| 3414 NGH-389 | 102               | 60,0 | 24              | 18...28       | 39                   | 5,1               | □                                       | 3,2         | 3 250         | -20...+70         | 70 000 / 35 000  | 140 000  | 5  |       |          |
| 3414 NHH     | 102               | 60,0 | 24              | 18...26       | 39                   | 5,1               | ■                                       | 2,7         | 3 250         | -20...+70         | 70 000 / 35 000  | 140 000  | 5  | /39   |          |
| 3414 NHH-386 | 102               | 60,0 | 24              | 18...28       | 39                   | 5,1               | ■                                       | 2,7         | 3 250         | -20...+70         | 70 000 / 35 000  | 140 000  | 5  |       |          |
| 3418 N       | 84                | 49,4 | 48              | 36...56       | 32                   | 4,7               | ■                                       | 2,4         | 2 700         | -20...+70         | 70 000 / 35 000  | 140 000  | 3  |       |          |

Other 48 VDC models on request.



# Mouser Electronics

Authorized Distributor

Click to View Pricing, Inventory, Delivery & Lifecycle Information:

[ebm-papst:](#)

[3412](#) [3414](#) [3412GM](#) [3412NME](#) [3412NLE](#) [3412N](#) [3412NG](#) [3412NGH](#) [3412NGHH](#) [3412NH](#) [3412NHH](#) [3412NHH-](#)  
[379](#) [3414N](#) [3414NG](#) [3414NGH](#) [3414NGHH](#) [3414NGL](#) [3414NGM](#) [3414NH](#) [3414NHH](#) [3414NL](#) [3414NM](#)  
[3412N/2HH](#) [3412NL](#) [3414N/2GH](#)