

max. 24 m³/h

DC axial fans

Series 400 J 40 x 40 x 25 mm



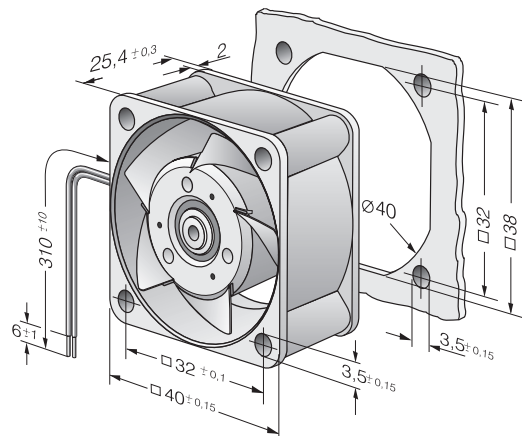
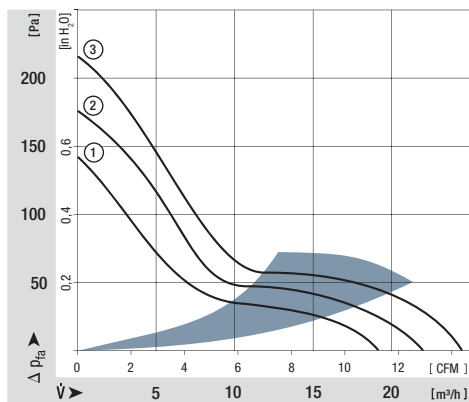
Highlights:

- Very rigid compression curve for high air flow at high back pressure.
- Low operating noise level at high back pressure.

General characteristics:

- Material: fibreglass-reinforced plastic. Impeller PA, housing PBT.
- Fully integrated electronic commutation.
- Protected against reverse polarity and locking.
- Connection via single strands AWG 26, TR 64. Bared and tin-plated.
- Air exhaust over struts. Direction of rotation counter-clockwise, seen on rotor.
- Mass: 50 g.

Nominal data	Air flow		Nominal voltage	Voltage range	Sound pressure level	Sound power level	Sinter sleeve bearings Ball bearings	Power input	Nominal speed	Temperature range	Service life L ₁₀ (40 °C) ebm-papst Standard	Service life L ₁₀ (T _{max}) ebm-papst Standard	Life expectancy L ₁₀ ^Δ (40 °C) see P. 15	Curve	Specials
	m ³ /h	CFM													
412 J	19	11,2	12	8...14	39	5,5	■	2,4	10 300	-20...+70	60 000 / 30 000	120 000	1		
412 JH	22	12,9	12	8...13,5	43	5,8	■	3,0	11 700	-20...+70	60 000 / 30 000	120 000	2	/2	
412 JHH	24	14,1	12	8...13,5	46	6,1	■	3,3	13 000	-20...+60	57 500 / 35 000	110 000	3	/2	
414 J	19	11,2	24	18...27	39	5,5	■	2,4	10 300	-20...+70	60 000 / 30 000	120 000	1		
414 JH	22	12,9	24	18...27	43	5,8	■	3,0	11 700	-20...+70	60 000 / 30 000	120 000	2	/2	
414 JHH	24	14,1	24	18...27	46	6,1	■	3,6	13 000	-20...+60	57 500 / 35 000	110 000	3	/2	



Mouser Electronics

Authorized Distributor

Click to View Pricing, Inventory, Delivery & Lifecycle Information:

[ebm-papst:](#)

[412JHH](#) [414JHH](#) [412J/2HH](#) [412J](#) [414J](#) [414JH](#) [414J/2H](#)