

max. 225 m³/h

DC axial fans

Series 4400 FN 119 x 119 x 25 mm



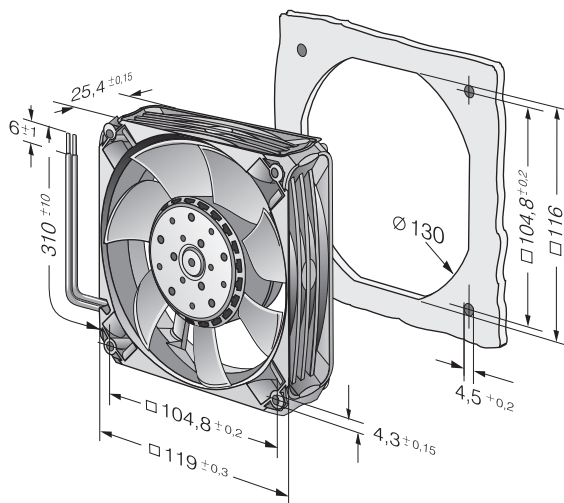
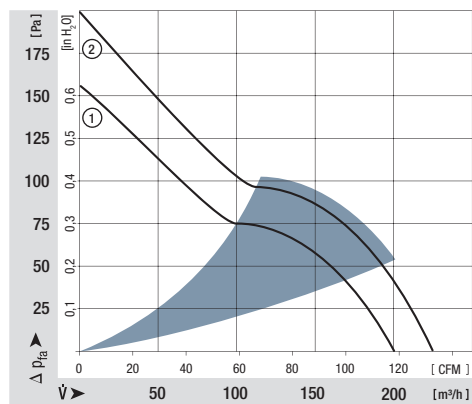
Highlights:

- Very rigid compression curve for high air flow at high back pressure.
- Innovative impeller with winglets for low noise.
- Optional Vario-Pro: Highly adaptable software configuration of the fan enables a tailor-made solution to the specific requirements of your applications.

General characteristics:

- Material: fibreglass-reinforced plastic. Impeller PA, housing PBT.
- Fully integrated electronic commutation.
- Protected against reverse polarity and locking.
- Connection via single strands AWG 22, TR 64. Bared and tin-plated.
- Air exhaust over struts. Direction of rotation counter-clockwise, seen on rotor.
- Mass: 240 g.

Nominal data		Air flow	Air flow	Nominal voltage	Voltage range	Sound pressure level	Sound power level	Sinter sleeve bearings Ball bearings	Power input	Nominal speed	Temperature range	Service life L ₁₀ (40 °C) ebm-papst Standard	Service life L ₁₀ (T _{max}) ebm-papst Standard	Life expectancy L ₁₀ Δ (40 °C) see P. 15	Curve	Specials
Type		m ³ /h	CFM	VDC	VDC	dB(A)	Bel(A)	■ / ■	Watts	RPM	°C	Hours	Hours		P. 110/118	
4412 FNH		225	132,4	12	7...13,2	55	6,7	■	12	5 400	-20...+70	60 000 / 30 000	120 000		2	/2
4414 FNN		200	117,7	24	14...28	52	6,5	■	8,5	4 850	-20...+70	60 000 / 30 000	120 000		1	/2
4414 FNH		225	132,4	24	18...26,4	55	6,7	■	12	5 400	-20...+70	60 000 / 30 000	120 000		2	/39
4418 FNH		225	132,4	48	36...53	55	6,7	■	12	5 400	-20...+70	60 000 / 30 000	120 000		2	



Mouser Electronics

Authorized Distributor

Click to View Pricing, Inventory, Delivery & Lifecycle Information:

[ebm-papst:](#)

[4412FNH](#) [4414FNH](#) [4414FNN](#) [4418FNH](#)