

# Customer Information Sheet

DRAWING No.: M50-360XX42

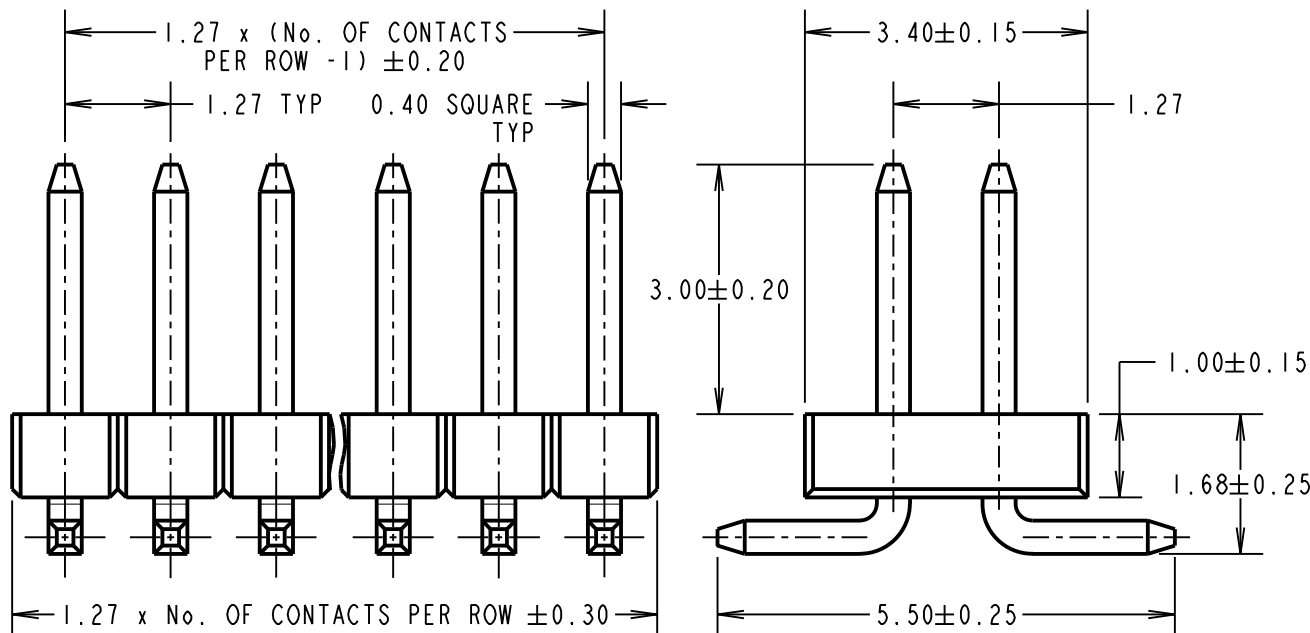
IF IN DOUBT - ASK

©

NOT TO SCALE

THIRD ANGLE PROJECTION

ALL DIMENSIONS IN mm



## SPECIFICATIONS:

### MATERIAL:

MOULDING = HIGH TEMP THERMOPLASTIC,  
UL94V-0, BLACK  
CONTACTS = COPPER ALLOY

### FINISH:

CONTACTS = 0.70 TO 1.30 $\mu$  NICKEL ALL OVER,  
0.08 TO 0.15 $\mu$  GOLD ON CONTACT AREA,  
2.50 TO 3.00 $\mu$  100% TIN ON TAILS

### ELECTRICAL:

CURRENT RATING = 1A  
CONTACT RESISTANCE = 20m $\Omega$  MAX  
INSULATION RESISTANCE = 1000M $\Omega$  MIN  
DIELECTRIC WITHSTANDING = 1000V AC FOR  
ONE MINUTE

### MECHANICAL:

DURABILITY = 300 CYCLES MIN

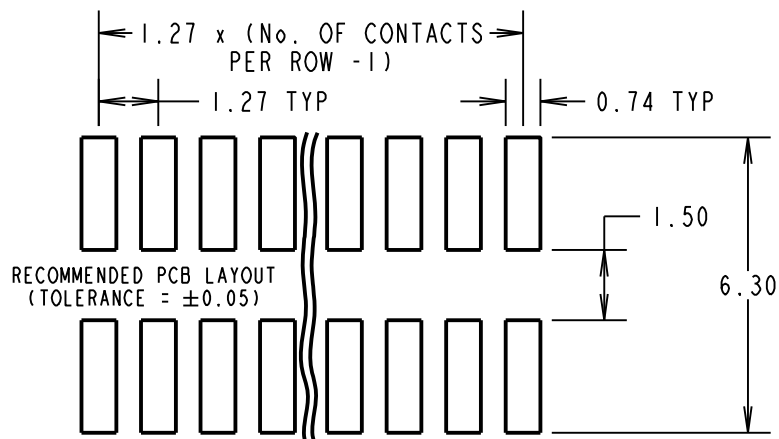
### ENVIRONMENTAL:

TEMPERATURE RANGE = -40°C TO +105°C

### PACKING:

BOX

FOR COMPLETE SPECIFICATION, SEE COMPONENT  
SPECIFICATION C029XX (LATEST ISSUE)



ORDER CODE:

**M50-360XX42**

No. OF CONTACTS PER ROW: \_\_\_\_\_  
02 TO 50

FINISH: \_\_\_\_\_  
42 = SELECTIVE GOLD & 100% TIN OVER NICKEL

MGP	16	21.08.13	12195
NAME	ISS.	DATE	C/NOTE
APPROVED: MGP			
CHECKED: SF			
DRAWN: J. KIER			
CUSTOMER REF.:			
ASSEMBLY DRG:			

# HARWIN

www.harwin.com  
technical@harwin.com

THIS DRAWING AND ANY  
INFORMATION OR DESCRIPTIVE  
MATTER SET OUT HEREON ARE  
CONFIDENTIAL AND COPYRIGHT  
PROPERTY OF THE HARWIN  
GROUP AND MUST NOT BE  
DISCLOSED, LOANED, COPIED  
OR USED FOR MANUFACTURING,  
TENDERING OR FOR ANY  
OTHER PURPOSE WITHOUT  
THEIR WRITTEN PERMISSION.

TOLERANCES  
X. =  $\pm 1$ mm  
X.X =  $\pm 0.25$ mm  
X.XX =  $\pm 0.10$ mm  
X.XXX =  $\pm 0.01$ mm  
ANGLES =  $\pm 5^\circ$   
UNLESS STATED

MATERIAL:

SEE ABOVE

FINISH: SEE ABOVE

S/AREA: mm<sup>2</sup>

TITLE:

1.27mm PITCH DIL VERTICAL  
SMT PIN HEADER

DRAWING NUMBER:

**M50-360XX42**

SHT  
2 OF 2

# Mouser Electronics

Authorized Distributor

Click to View Pricing, Inventory, Delivery & Lifecycle Information:

[Harwin:](#)

[M50-3600242](#) [M50-3600542](#) [M50-3600642](#) [M50-3600742](#) [M50-3600842](#) [M50-3600942](#) [M50-3601042](#) [M50-3601142](#) [M50-3601242](#) [M50-3601542](#) [M50-3602042](#) [M50-3602542](#) [M50-3603042](#) [M50-3603542](#) [M50-3604042](#)  
[M50-3604542](#) [M50-3605042](#)