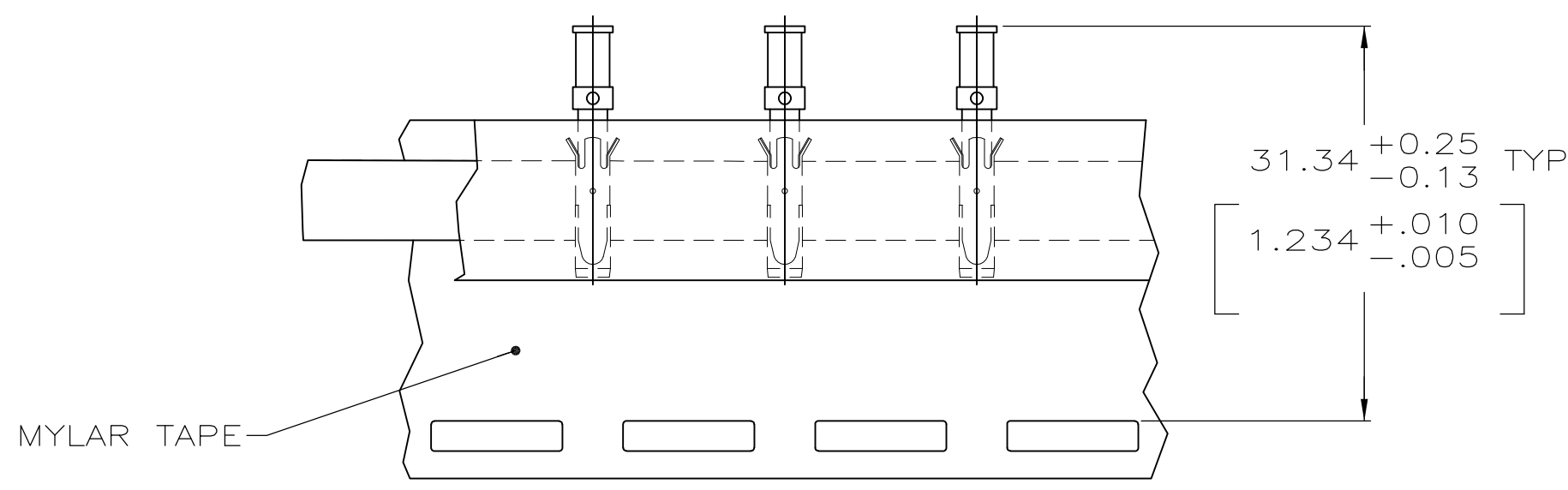
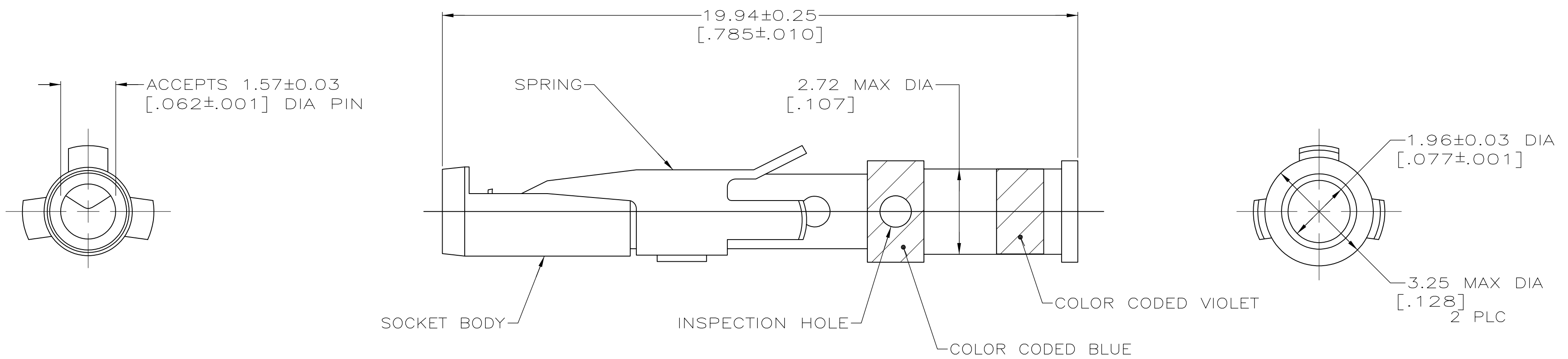


MOD	LOC	DIST	P	F	ZONE	LTR	DESCRIPTION	DATE	APPD
4	BD	39				U	ADDED -8 NPR 4680 AND REDRAWN ON CAD, OBS -4 EC 0020-344-93	04/06/93	-
						U1	REVISED PER ECO-09-020935	08SEP09	KK AEG



TAPE MTG DETAIL
SCALE 2:1

- △ 0.76µm [.000030] MIN GOLD OVER 1.27µm [.000050] MIN NICKEL.
- △ 1.27µm [.000050] MIN GOLD OVER 1.27µm [.000050] MIN NICKEL.
- △ WHEN ORDERING CONTACT ASSEMBLY ON TAPE, ORDER BY THE TAPE NUMBER PLUS THE PACKAGING CODE AS FOLLOWS:
 1. FOR USE WITH AMP TAPETRONIC, PNEUMATIC TOOL-
 - A. 1000 PARTS TO A BOX ADD PACKAGING CODE: 1MBOX
 2. FOR USE WITH 4/8 INDENT STRIPPER CRIMPER-
 - A. 1000 PARTS TO A REEL ADD PACKAGING CODE: 1MREEL
 - B. 5000 PARTS TO A REEL ADD PACKAGING CODE: 5MREEL
- △ OBSOLETE PARTS: OBSOLETE CIS STREAMLINING PER D.RENAUD/D.SINISI

△ 4	OBSOLETE	SMALL PACK	△ 1	-201568-8-
	OBSOLETE	STANDARD	△ 2	201568-4
		TAPE MTG (SEE DETAIL) △ 3	△ 1	201568-3
		STANDARD	△ 1	201568-1
		PACKAGING TYPE	SOCKET BODY FINISH	PART NO
DO NOT SCALE PRINT. UNLESS SPECIFIED DIMENSIONS IN mm [INCHES] TOLERANCES ON :		DR 04/06/93 D.GELTZ	AMP Incorporated Harrisburg, PA 17105-3608	
2 PLC DEC ± -		CHK 4-26-93 R.STONE		
3 PLC DEC ± -		APPD 4-29-93 R.S.KLINE	NAME	
ANGLES ± -		APPD -	CONTACT ASSEMBLY, SOCKET, #16, 14 AWG, TYPE II	
MATERIAL		PRODUCT SPEC		
SOCKET BODY: COPPER ALLOY		APPLICATION SPEC	SIZE	CAGE CODE
SPRING: STAINLESS STEEL			SCALE	DRAWING NO
FINISH				
SOCKET BODY: SEE TABLE			10:1	00779 C-201568
		WEIGHT		SHEET 1 OF 1

THIS DRAWING IS A CONTROLLED DOCUMENT FOR AMP INCORPORATED. IT IS SUBJECT TO CHANGE AND THE CONTROLLING ENGINEERING ORGANIZATION SHOULD BE CONTACTED FOR THE LATEST REVISION.

Mouser Electronics

Authorized Distributor

Click to View Pricing, Inventory, Delivery & Lifecycle Information:

[TE Connectivity:](#)

[201568-1](#)