

PLEASE CHECK WWW.MOLEX.COM FOR LATEST PART INFORMATION

Part Number: [73100-0097](#)
Status: **Active**
Overview: SMB Subminiature RF Connectors
Description: 50 Ohms, SMB Right-Angle PCB, Bulkhead Jack Receptacle

Documents:

[Drawing \(PDF\)](#) [RoHS Certificate of Compliance \(PDF\)](#)
[Product Specification PS-73598-0099 \(PDF\)](#)

General

| | |
|-----------------|---------------------------------------|
| Product Family | RF/Coax Connectors |
| Series | 73100 |
| Comments | Feed-Through |
| Overview | <u>SMB Subminiature RF Connectors</u> |
| Product Name | SMB |
| Style | PCB |
| UPC | 800753686342 |
| Wire/Cable Type | N/A |

Physical

| | |
|-----------------------------|--------------|
| Gender | Jack |
| Keying to Mating Part | None |
| Net Weight | 4.685/g |
| Orientation | Right Angle |
| PCB Mounting | Through Hole |
| PCB Thickness - Recommended | 2.40mm |
| Packaging Type | Tray |
| Panel Mount | Yes |
| Panel Mount Method | Bulkhead |
| Reverse Polar | No |

Electrical

| | |
|-----------|-----|
| Impedance | 50# |
|-----------|-----|

Solder Process Data

| | |
|--|------------------------------|
| Duration at Max. Process Temperature (seconds) | 10 |
| Lead-free Process Capability | SMC & Wave Capable (TH only) |
| Max. Cycles at Max. Process Temperature | 1 |
| Process Temperature max. C | 260 |

Material Info

Reference - Drawing Numbers

| | |
|-----------------------|---------------|
| Product Specification | PS-73598-0099 |
| Sales Drawing | SD-73100-0097 |

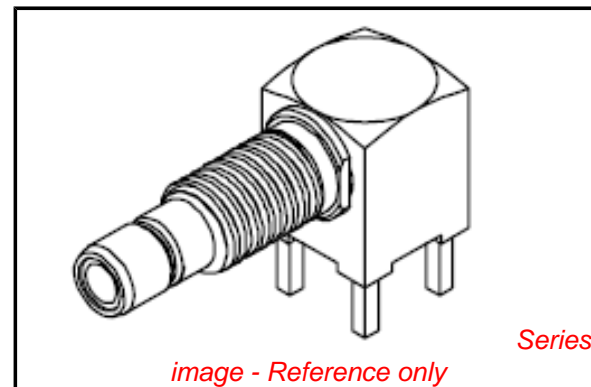


image - Reference only

EU RoHS

RoHS Compliant RF Product

REACH SVHC

Contains SVHC: No

Low-Halogen Status

Low-Halogen

China RoHS



Need more information on product environmental compliance?

Email productcompliance@molex.com
 For a multiple part number RoHS Certificate of Compliance, [click here](#)

Please visit the [Contact Us](#) section for any non-product compliance questions.

Search Parts in this Series

73100Series

Mouser Electronics

Authorized Distributor

Click to View Pricing, Inventory, Delivery & Lifecycle Information:

[Molex:](#)

[73100-0097](#)