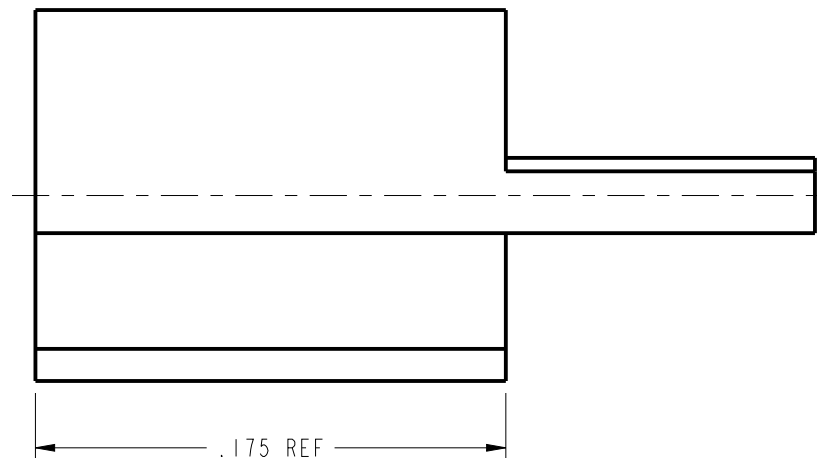
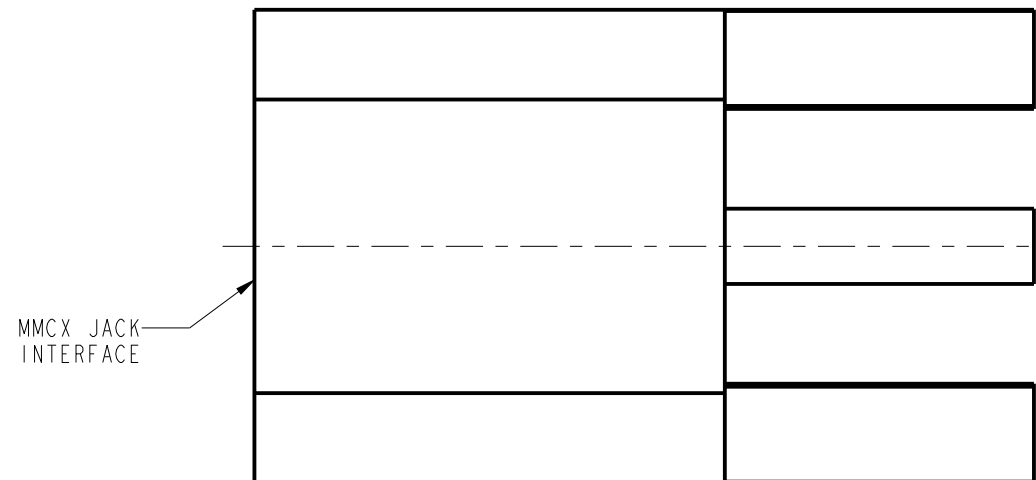
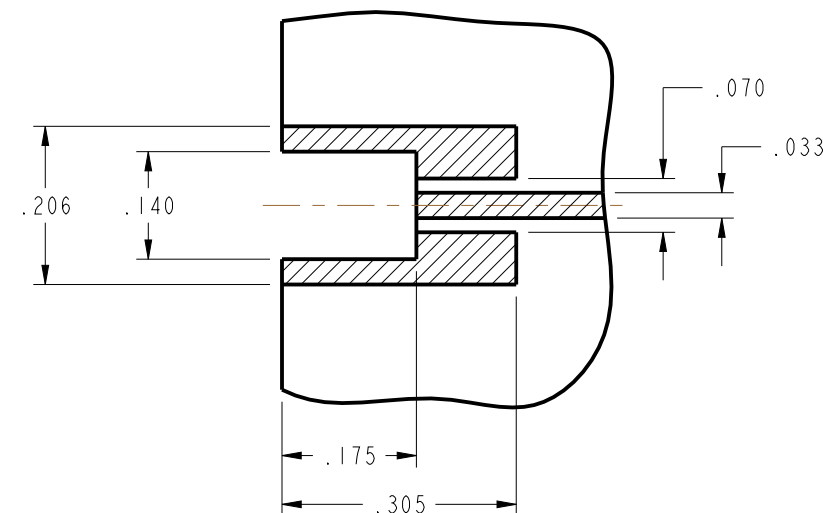


NOTES:

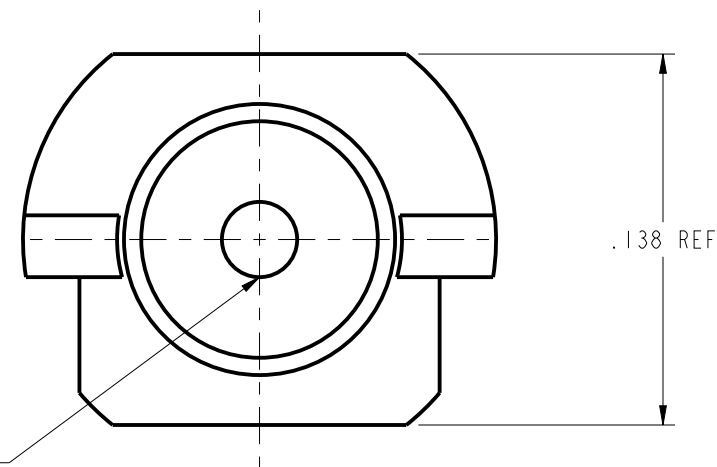
1. MATERIALS AND FINISHES:
 BODY - BRASS, GOLD PLATED
 CONTACT - BERYLLIUM COPPER, GOLD PLATED
 INSULATOR - PTFE
2. ELECTRICAL:
 A. IMPEDANCE: 50 OHM
 B. FREQUENCY RANGE: DC - 6 GHz
 D. DIELECTRIC WITHSTANDING VOLTAGE: 500 VRMS, MIN.
3. MECHANICAL:
 A. DURABILITY: 500 CYCLES MIN.
 B. TEMPERATURE RANGE: -65° C TO +165° C
4. PACKAGING:
 A. QUANTITY: SINGLE PACK
 B. MARKING: BAG TO BE MARKED
 "AMPHENOL RF, 908-22100, AND DATE CODE (YYWW)"



| 908-22100 | | REVISIONS | | | |
|-------------------|-----|---|----------|-------|-------|
| DRAWING NO. | REV | DESCRIPTION | DATE | ECO | APPR |
| THIRD ANGLE PROJ. | A | OFFICIAL ENG. RELEASE TO MFG. | 03-09-95 | 40439 | GT/RV |
| | B | 1) RE-DRAWN ON PRO/E, 2) .023 WAS: .014, 3) .140±.003 WAS: .14, 4) .180±.010 WAS: .18 | 7/29/96 | 41433 | BCG |
| | C | ADD COPLANAR REF NOTE | 2/21/01 | 43684 | CPM |
| | D | ADDED PCB SOLDER PAD, CHANGED GOLD PLATING CODE | 10/3/14 | 49828 | JTS |



RECOMMENDED
PCB LAYOUT



SURFACES ARE COPLANAR
WITHIN .005 MAX

CUSTOMER OUTLINE DRAWING
ALL OTHER SHEETS ARE FOR INTERNAL USE ONLY

| | | | | | | | |
|---|---|------------------------|-------------------|-----------------------------------|---------------|--|--------------|
| UNLESS OTHERWISE SPECIFIED, DIMENSIONS ARE IN INCHES AND TOLERANCES ARE: 2 PLACE DECIMAL ±.015 (0,381 mm) 3 PLACE DECIMAL ±.005 (0,127 mm) ANGLES ± 1° | MATERIAL | DRAWN B. GLEISSNER | DATE 20-Jun-96 | TITLE MMCX JACK EDGE LAUNCH | | Amphenol RF Danbury, CT, USA Tainan, Taiwan Shenzhen, China www.amphenolrf.com | |
| | REFERENCE EAR 964566-0 615X-1323-100 GEN# ASSYF3_MMCX GEN# PCB_CUTOUT | ENGINEER G. TILTON | DATE 21-Jun-95 | | | | |
| NOTICE - These drawings, specifications, or other data (1) are, and remain the property of Amphenol Corp. (2) must be returned upon request; and (3) are confidential and not to be disclosed to any person other than those to whom they are given by Amphenol Corp. The furnishing of these drawings, specifications, or other data by Amphenol Corp., or to any other person to anyone for any purpose is not to be regarded by implication or otherwise in any manner licensing, granting rights or permitting such holder or any other person to manufacture, use or sell any product, process or design, patented or otherwise, that may in any way be related to or disclosed by said drawings, specifications, or other data. | | APPROVED R. VACARRO | DATE 02-Mar-95 | CODE ID 74868 | DWG SIZE B | DRAWING NO. 908-22100 | REV D |
| | | | | | | SCALE: 14.0:1 | SHEET 2 OF 2 |

Mouser Electronics

Authorized Distributor

Click to View Pricing, Inventory, Delivery & Lifecycle Information:

[Amphenol:](#)

[908-22100](#)