

**PLEASE CHECK WWW.MOLEX.COM FOR LATEST PART INFORMATION**

**Part Number:** [73415-3310](#)  
**Status:** **Active**  
**Overview:** SMP and SMPM RF Connectors  
**Description:** 50 Ohms, SMP Vertical PCB Plug, Limited Detent

**Documents:**

[Drawing \(PDF\)](#) [RoHS Certificate of Compliance \(PDF\)](#)  
[Product Specification PS-89675-332 \(PDF\)](#)

**General**

Product Family	RF/Coax Connectors
Series	73415
Comments	PCB Mount
Overview	<a href="#">SMP and SMPM RF Connectors</a>
Product Name	SMP
Style	PCB
UPC	800756618869
Wire/Cable Type	N/A

**Physical**

Gender	Plug
Keying to Mating Part	None
Net Weight	0.743/g
Orientation	Straight
PCB Mounting	Surface Mount
Packaging Type	Embossed Tape on Reel
Panel Mount	No
Panel Mount Method	N/A
Reverse Polar	No

**Electrical**

Impedance	50#
-----------	-----

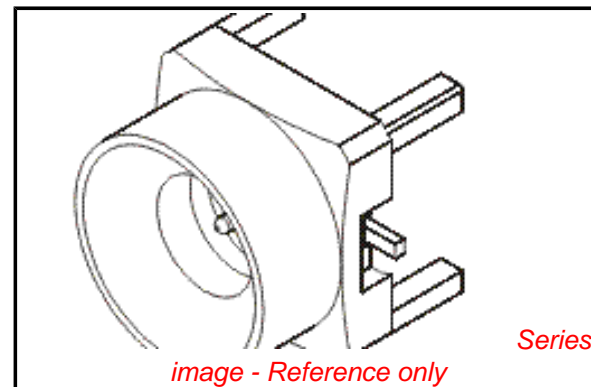
**Solder Process Data**

Duration at Max. Process Temperature (seconds)	10
Lead-free Process Capability	Reflow Capable (SMT only)
Max. Cycles at Max. Process Temperature	2
Process Temperature max. C	260

**Material Info**

**Reference - Drawing Numbers**

Product Specification	PS-89675-332
Sales Drawing	SD-73415-331



*image - Reference only*

**EU RoHS**

**RoHS Compliant RF Product**

**REACH SVHC**

**Contains SVHC: No**

**Low-Halogen Status**

**Low-Halogen**

**China RoHS**



**Need more information on product environmental compliance?**

Email [productcompliance@molex.com](mailto:productcompliance@molex.com)  
 For a multiple part number RoHS Certificate of Compliance, [click here](#)

Please visit the [Contact Us](#) section for any non-product compliance questions.

**Search Parts in this Series**

73415Series

# Mouser Electronics

Authorized Distributor

Click to View Pricing, Inventory, Delivery & Lifecycle Information:

[Molex:](#)

[73415-3310](#)