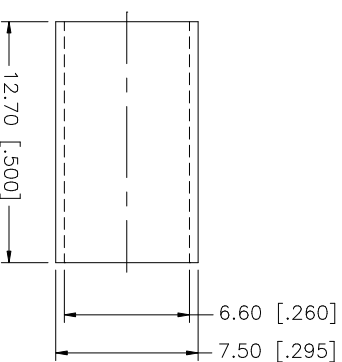
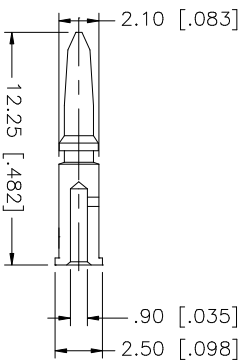
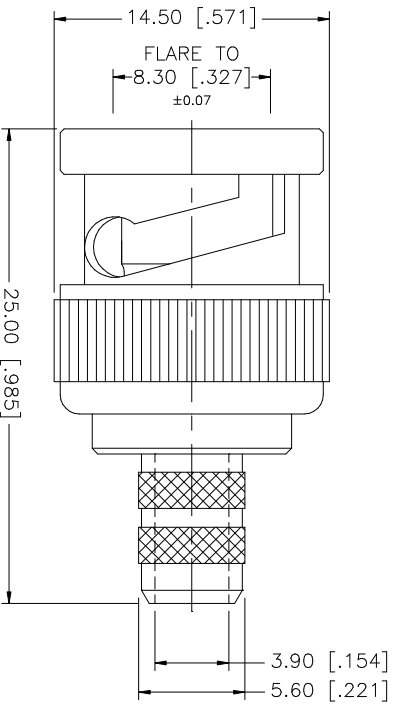
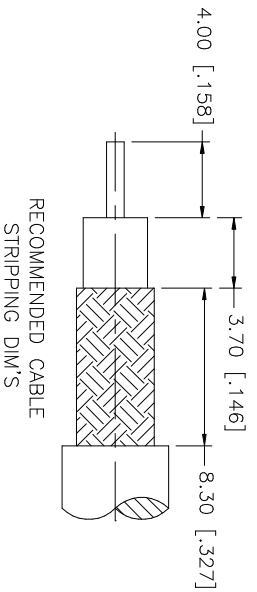


REV.	DATE	DESCRIPTION
NC	01/14/03	INITIAL RELEASE
A	04/19/06	REVISE CONTACT PIN MATERIAL AND PLATING
B	05/07/06	REVISE INSULATOR MATERIAL TO DELRIN



CRIMP NOTES:

1. CRIMPED FERRULE  
HEX CRIMP SIZE .255"
2. CRIMPED CONTACT PIN  
HEX CRIMP SIZE .068"

**Amphenol Connex**

BNC CRIMP PLUG – RG59/U 20AWG  
CENTER CONTACT – 75ohm

QTY	DESCRIPTION	MATERIAL	FINISH	DO NOT SCALE DRAWING	APPROVALS	DATE	PART DESCRIPTION	PART NO.	DWG. NO.	REV.	SIZE	SCALE
1	HOUSING/BODY	BRASS	NICKEL	1	1 OF 1		BNC CRIMP PLUG – RG59/U 20AWG CENTER CONTACT – 75ohm	112507	112507.DWG	B	A	NA
1	CONTACT PIN	BRASS	GOLD	1								
1	INSULATOR	DELRIN	NATURAL	1								
1	FERRULE	BRASS	NICKEL	1								
8												
7												
6												
5												
4												
3												
2												
1												
UNLESS OTHERWISE SPECIFIED DIMENSIONS ARE IN MILLIMETERS. DIMENSIONS IN [ ] ARE IN INCHES AND FOR CUSTOMER REFERENCE ONLY.												
UNLESS OTHERWISE SPECIFIED TOLERANCES FOR MILLIMETERS ARE:												
0.5 – 8mm ± 0.20mm												
8 – 30mm ± 0.40mm												
30 – 120mm ± 0.50mm												
UNLESS OTHERWISE SPECIFIED TOLERANCES FOR INCHES ARE:												
.020 – .315 = ± 0.007"												
.315 – 1.180 = ± 0.015"												
1.180 – 4.724 = ± 0.020"												
CAD FILE												
C:/112/112507.DWG												

# Mouser Electronics

Authorized Distributor

Click to View Pricing, Inventory, Delivery & Lifecycle Information:

[Amphenol:](#)

[112507](#)