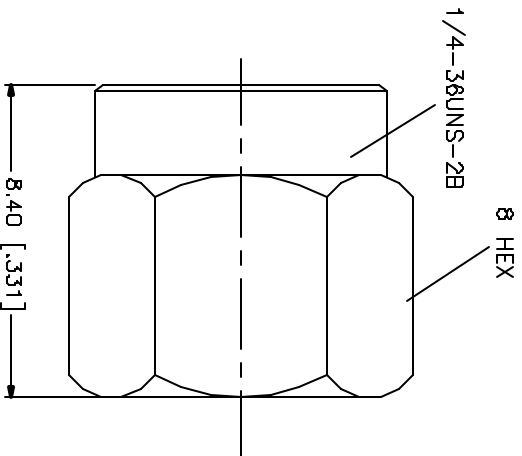


REV.	DATE	DESCRIPTION
NC	11/19/03	INITIAL RELEASE
A	01/17/05	UPDATE RESISTOR WATTAGE - 2 WATTS



QTY	FINISH	MATERIAL	DESCRIPTION
2	2 WATT - 1%	100R	RESISTOR
1	GOLD	BRASS	CONTACT PIN
1	NATURAL	TEFLON	INSULATOR
1	GOLD	BRASS	BODY
			DESCRIPTION

UNLESS OTHERWISE SPECIFIED, DIMENSIONS ARE IN MILLIMETERS. DIMENSIONS IN [] ARE IN INCHES AND ARE DIMENSIONAL RESERVE ONLY.	UNLESS OTHERWISE SPECIFIED, DIMENSIONS FOR THIS PART ARE: D.5 - 8mm ± 0.20mm B - 50mm ± 0.40mm 3D - 120mm ± 0.50mm
UNLESS OTHERWISE SPECIFIED, DIMENSIONS FOR THIS PART ARE: .020 - .015 ± 0.007 .015 - 1.180 ± 0.013 1.180 - 4.724 ± 0.020	
DO NOT SCALE DRAWING	

APPROVALS	DATE
DESIGN G.R.S.	01/17/05
CHECKED	
ISSUED	
BUILT 1 OF 1	

CAD FILE C:/132/132360.DWG	DWG. NO. 132360.DWG	REV. A	SIZE A	SCALE NA
----------------------------	---------------------	--------	--------	----------

Amphenol	
Comnex	
PART DESCRIPTION	
SMA TERMINATOR PLUG	
(50 ohm)	
PART NO.	132360

Mouser Electronics

Authorized Distributor

Click to View Pricing, Inventory, Delivery & Lifecycle Information:

[Amphenol:](#)

[132360](#)