

# PCM Series Ultraminiature Surface Mount Slide Switches



## Features/Benefits

- Ultraminiature surface mount
- Low profile
- SPDT & SP3T models
- RoHS compliant

## Typical Applications

- Computer peripherals & network products
- Telecommunication products
- Test & measurement equipment



Slide

## Specifications

CONTACT RATING: 0.3A @ 6 VDC.  
 MECHANICAL LIFE: 10,000 cycles.  
 CONTACT RESISTANCE: 70 m Ω max.  
 INSULATION RESISTANCE: 100 M Ω min. @ 500V.  
 DIELECTRIC STRENGTH: 500 VAC min.  
 OPERATING TEMPERATURE: -20°C to +85°C.  
 SOLDERABILITY: 255C max. solder temperature.  
 PACKAGING: Tape & reel.

## Materials

CASE: PA6T  
 COVER: Stainless steel.  
 SLIDER: Nylon 4/6  
 BRUSH: Copper alloy silver clad.  
 TERMINALS: Copper alloy, silver plated.

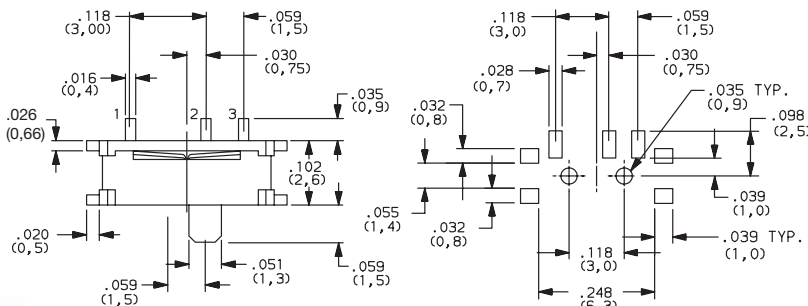
**NOTE:** All models RoHS compliant and compatible with all options.

**NOTE:** Specifications and materials listed above are for switches with standard options. For information on specific and custom switches, consult Customer Service Center.

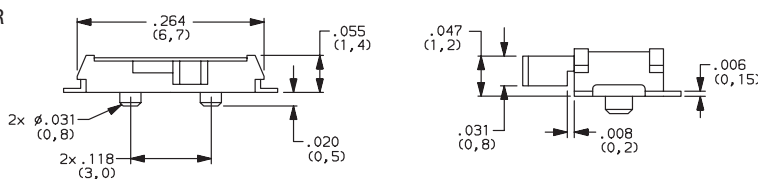
## How To Order

Complete part numbers for PCM Series Ultraminiature Surface Mount Slide Switches are shown below and on page I-45.

### PC MOUNTING



PCM12SMTR  
SPDT



Actuator shown in pos. 2

PART NUMBER	SWITCH FUNCTION	
	POS. 1	POS. 2
PCM12SMTR	ON	ON
CONN. TERMINALS	1-2	2-3
SCHEMATIC		
SPDT		



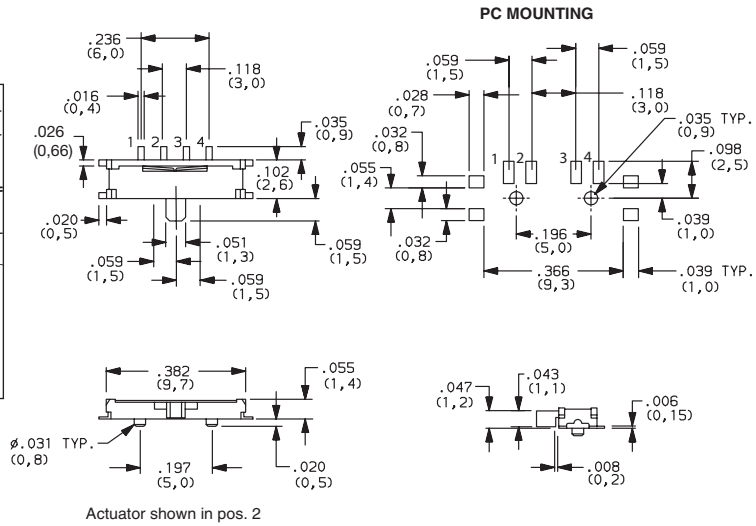
Third Angle  
Projection

Dimensions are shown: Inch (mm)

Specifications and dimensions subject to change

# PCM Series Ultraminiature Surface Mount Slide Switches

PART NUMBER	SWITCH FUNCTION		
	POS.1	POS. 2	POS. 3
<b>PCM13SMTR</b>	ON	ON	ON
CONN. TERMINALS	1-3	2-3	3-4
SCHMATIC			
SP3T			



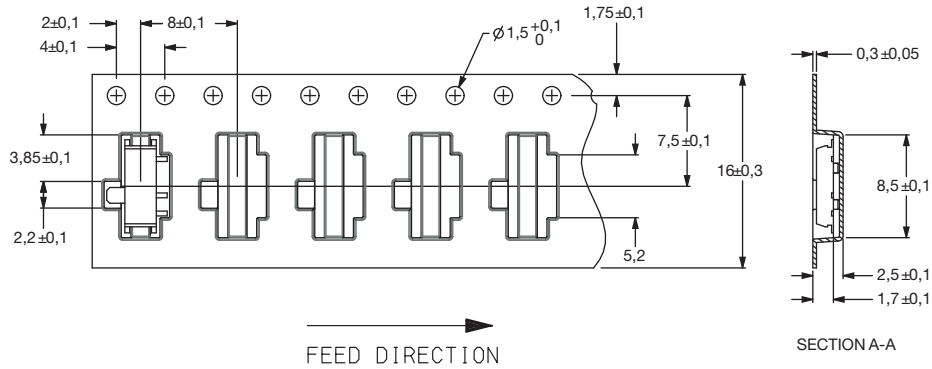
PCM13SMTR  
SP3T



## TAPE & REEL

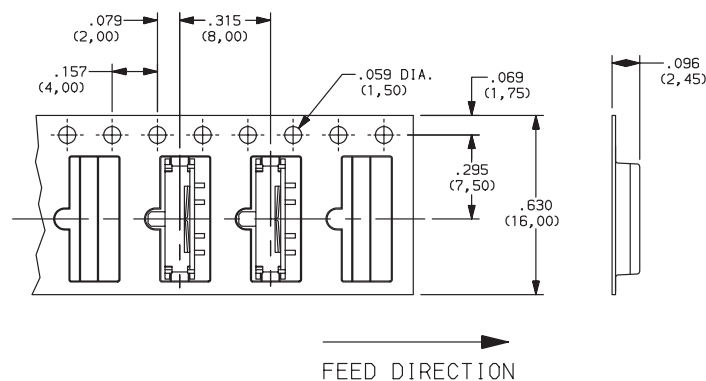
For part number PCM12SMTR

Quantity per reel 3500



For part number PCM13SMTR

Quantity per reel 3500



Third Angle  
Projection

Dimensions are shown: Inches (mm)  
Specifications and dimensions subject to change

# Mouser Electronics

Authorized Distributor

Click to View Pricing, Inventory, Delivery & Lifecycle Information:

[C&K Components:](#)

[PCM12SMTR](#)