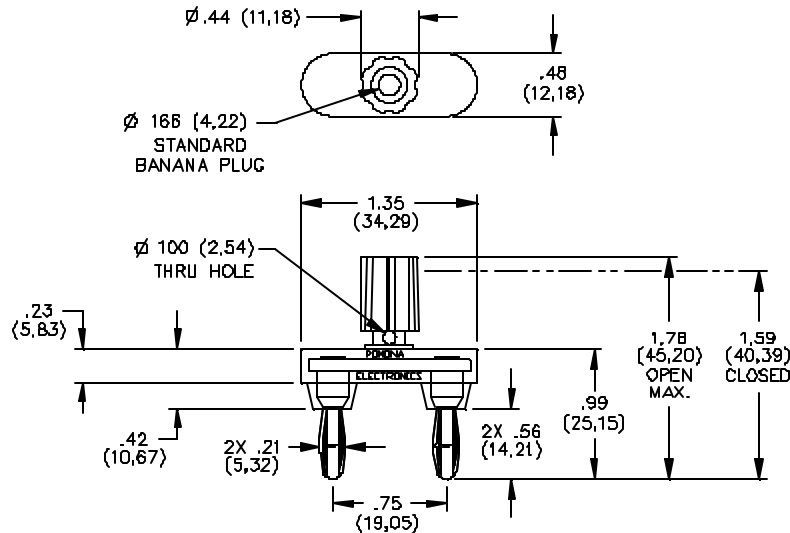


Model 5165 Encapsulated Double Banana Plug Shorting Bar With Binding Post



FEATURES:

- Mates to Model #2269 or any standard double banana jack.
- Binding post cross hole allows attachment of pin tip plugs.
- Shorting bar is completely encapsulated in clear Polypropylene.

MATERIALS:

Upper Conn.:

Binding Post Body: Brass, per QQ-B-626 Alloy 360, 1/2 Hard.
Finish: Nickel plated per QQ-N-290, Class 2, 200/300 microinches.
Insulation: Polycarbonate molded to collar.
Color: See ordering information.

Shorting Bar:

Material: Brass, per QQ-B-613, Composition
Finish: Nickel plated per QQ-N-290, Class 2,

Insulation: Polypropylene molded to binding post, shorting bar and banana plugs.

Color: Clear.

Marking "POMONA ELECTRONICS"
"MODEL 5165"

Lower Conn.:

Banana Plugs:

Material: Spring: Beryllium Copper per QQ-C-533, Berylco 25, Cond. H.T.

Plug body: Brass, per QQ-B-626, Alloy 360, 1/2 Hard

Finish: Nickel plated per QQ-N-290, Class 2, 200/300 microinches.

RATINGS:

Operating Temperature: +50°C. (+122°F.) Max.

Operating Voltage: 2500 VRMS

Current: 15 Amperes

Resistance: Less than 1.5 milliohms. 2, 1/2 Hard

ORDERING INFORMATION 200/300 microinches.

*=Color, -0 Black, -2 Red

Ordering Example: 5165-2 Color is Red

All dimensions are in inches. Tolerances (except noted): .xx = ±.02" (.51 mm), .xxx = ±.005" (.127 mm).
All specifications are to the latest revisions. Specifications are subject to change without notice.
Registered trademarks are the property of their respective companies.

Made in USA

Mouser Electronics

Authorized Distributor

Click to View Pricing, Inventory, Delivery & Lifecycle Information:

Pomona:

[5165-0](#) [5165-2](#)