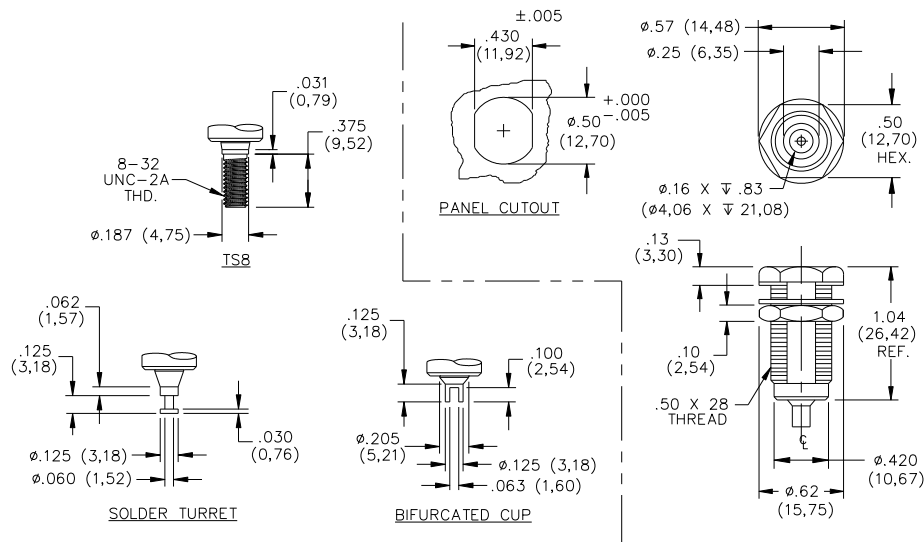


Model 6387 Banana Jack, Panel Mount, 4mm For Sheathed Banana Plugs



Recommended Maximum Panel Thickness: .57" (15mm)

FEATURES:

- Banana Jack mates to all popular shrouded and unshrouded DMM plugs
- Meets IEC 1010-2-031 CAT III 1000V

MATERIALS:

Banana Jack: Brass, see ordering information for plating
 Insulation: Nylon, see ordering information for color
 Nut: Brass, Nickel Plated

RATINGS:

Operating Voltage: 1000 VRMS Max.
 Current: 15 Amperes Max.

ORDERING INFORMATION: Model 6387-T-P-C. Sold in packs of ten.

T = Terminal Type = ST=(Solder Turret), BC=(Bifurcated Cup),

TS8=(Threaded Stud #8-32)

P = Plating Options =T=(Tin), G=(Gold), N=(Nickel)

C = Color Options =See below.

6387-BC-G and 6387-TS8-N available in 0-Black, 2-Red

6387-ST-T available in 0-Black, 2-Red, 5-Green, 6-Blue, 8-Gray, 9-White

All dimensions are in inches. Tolerances (except noted): .xx = ±.02" (.51 mm), .xxx = ±.005" (.127 mm).

All specifications are to the latest revisions. Specifications are subject to change without notice.

Registered trademarks are the property of their respective companies. Made in USA

Mouser Electronics

Authorized Distributor

Click to View Pricing, Inventory, Delivery & Lifecycle Information:

Pomona:

[6387-ST-T-2](#) [6387-ST-T-8](#) [6387-ST-T-0](#) [6387-ST-T-6](#) [6387-BC-G-0](#) [6387-ST-N-0](#)