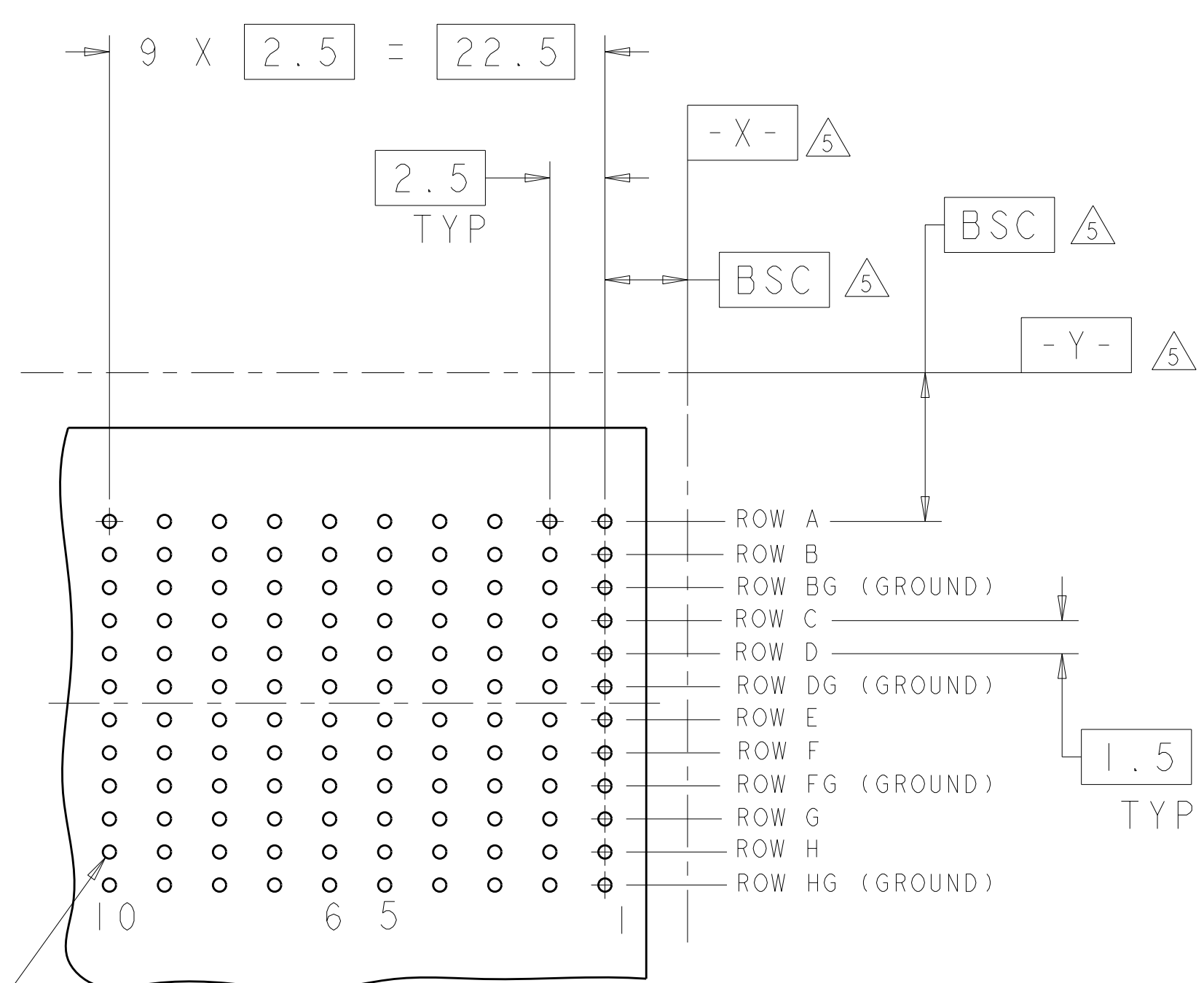
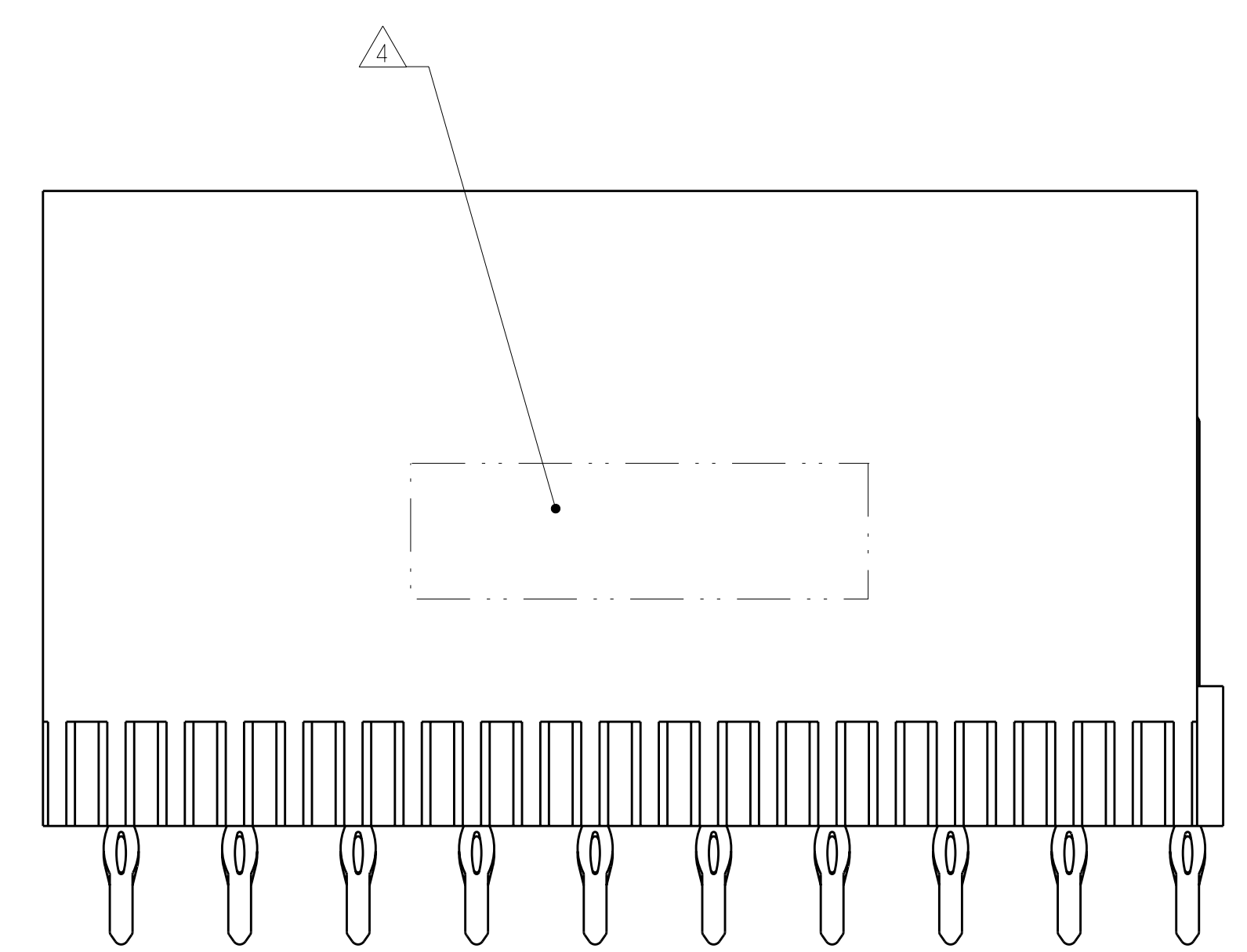
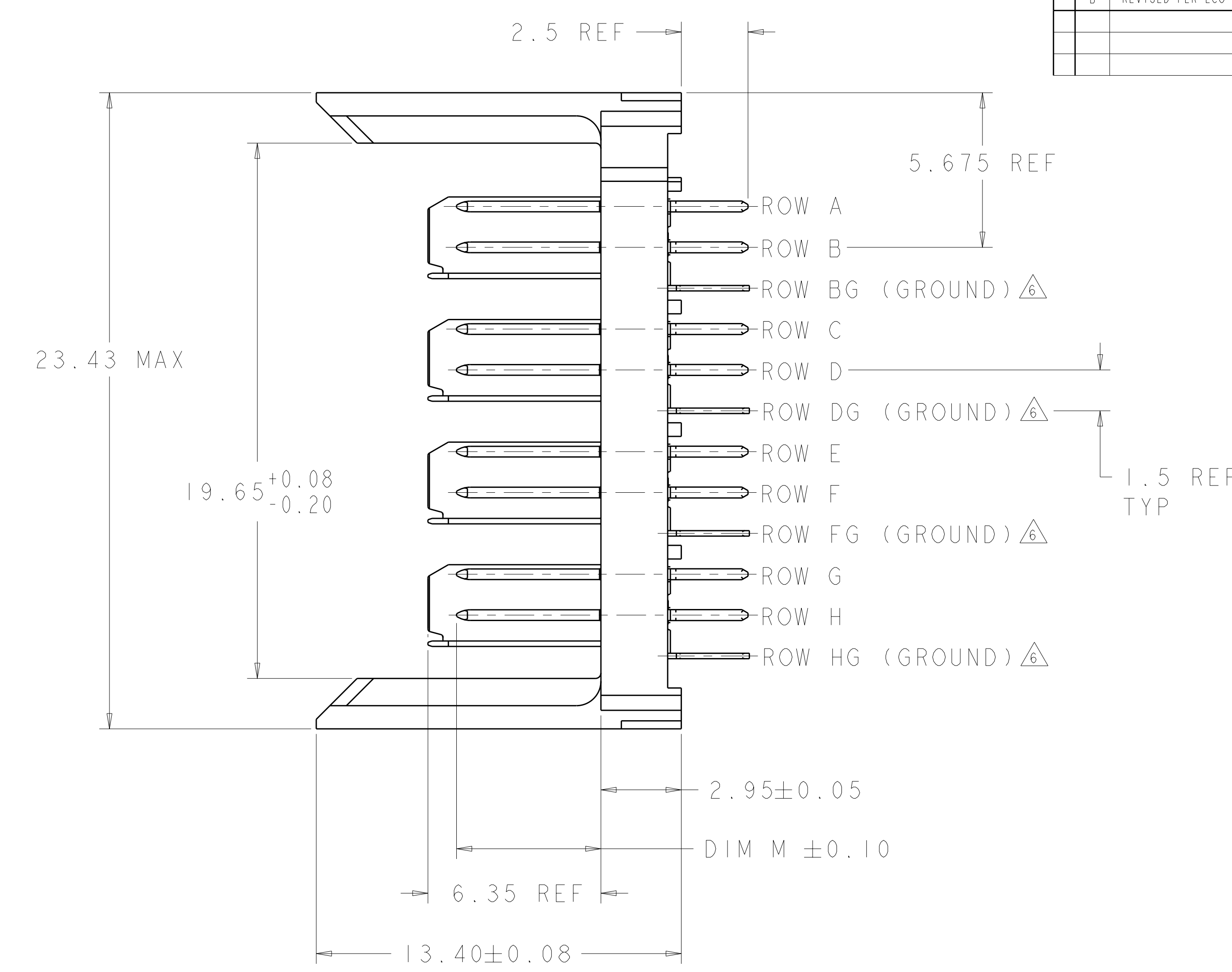
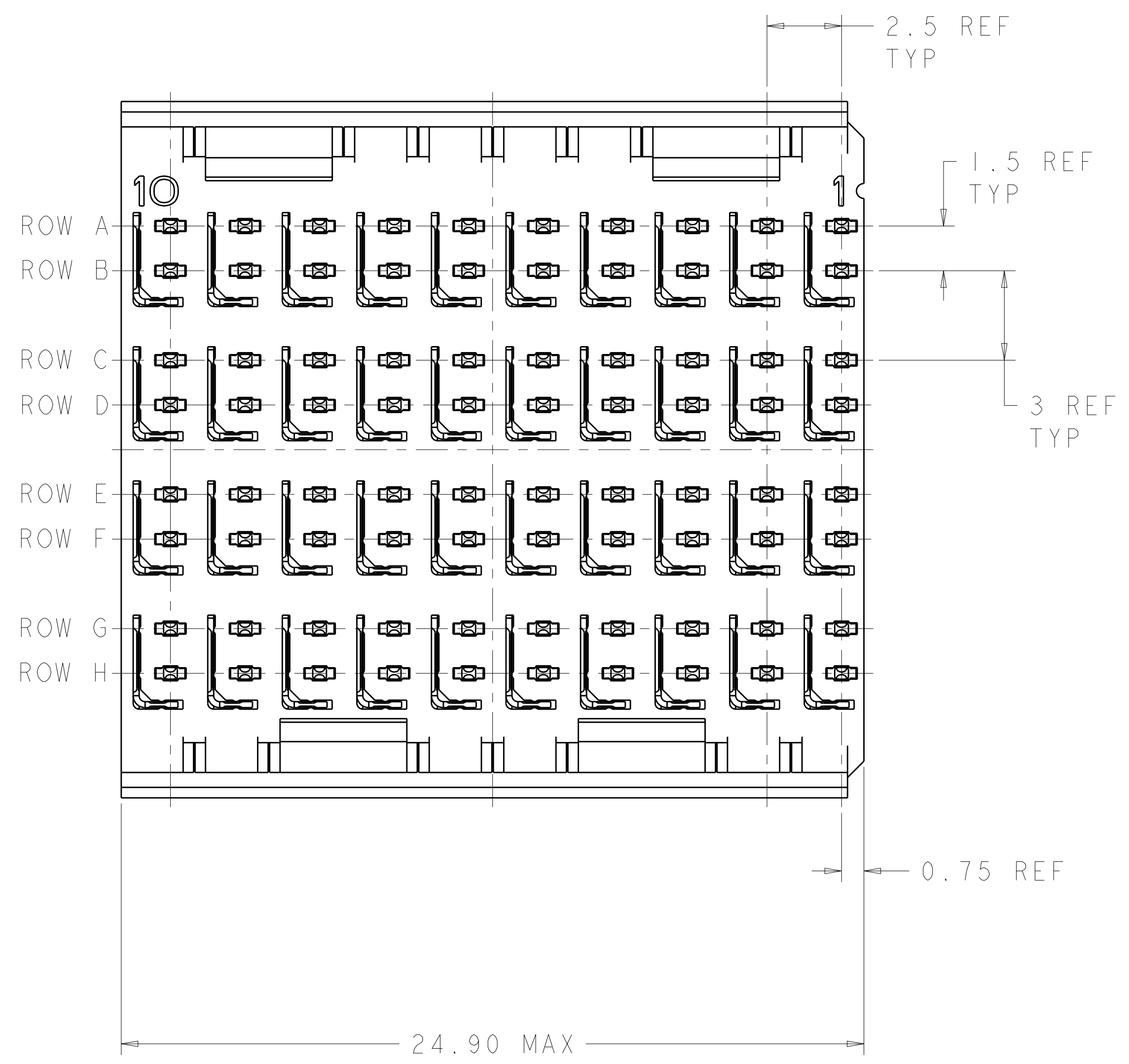


LOC		DIST		REVISIONS			
AD	00	P	LTR	DESCRIPTION	DATE	DWN	APVD
		B		REVISED PER ECO-12-000118	17JAN12	KH	DY



- ① REFERENCE APPLICATION SPEC 114-13059 FOR RECOMMENDED PLATED THRU HOLE DIAMETER AND PLATING THICKNESSES.
- ② MATERIAL:
CONTACT AND SHIELD - PHOSPHOR BRONZE
HOUSING - GLASS FILLED POLYESTER, UL 94V-0.
- ③ FINISH: SIGNAL AND GROUND CONTACTS:
MATING AREA: MEETS THE PERFORMANCE REQUIREMENTS OF PRODUCT SPECIFICATION 108-2055; BASED ON TELCORDIA GR-1217-CORE, APPLICATIONS IN UNCONTROLLED ENVIRONMENTS
COMPLIANT PIN AREA: 0.5µm MIN MATTE TIN OVER BASE PLATING
- ④ CONNECTOR MARKED WITH PART NUMBER AND DATE CODE.
- ⑤ DATUMS AND BASIC DIMENSIONS ESTABLISHED BY CUSTOMER.
- ⑥ THE FOUR GROUNDS IN EACH COLUMN ARE COMMONED.
- 7. CONTACT AREA LUBRICATED WITH BELLCORE APPROVED LUBRICANT. TECHNICAL REFERENCE: GR-1217-CORE, ISSUE 1, NOVEMBER 1995.

⌀ 0.05 X Y
 ALL PLATED THRU HOLES

RECOMMENDED PC BOARD LAYOUT, BACKPLANE, COMPONENT SIDE SHOWN
 SCALE 4:1

3.80	6469002-2
5.30	6469002-1
DIM M	PART NUMBER

THIS DRAWING IS A CONTROLLED DOCUMENT.		DWN S. J. MAGARO 17JUN2004	TE Connectivity
DIMENSIONS: mm		CHK R. A. PATTERSON 17JUN2004	
TOLERANCES UNLESS OTHERWISE SPECIFIED:		APVD P. PATTERSON 16AUG2007	NAME
9 PLC ±		PRODUCT SPEC	HEADER ASSEMBLY, 4 PAIR, 2.5mm TAIL, 25mm HMZd
3 PLC ±		APPLICATION SPEC	
5 PLC ±		WEIGHT	
4 PLC ±		CUSTOMER DRAWING	
ANGLES ±		SCALE 3:1	SHEET 1 OF 1
FINISH ±		REV B	

Mouser Electronics

Authorized Distributor

Click to View Pricing, Inventory, Delivery & Lifecycle Information:

[TE Connectivity:](#)

[6469002-1](#) [6469002-2](#)