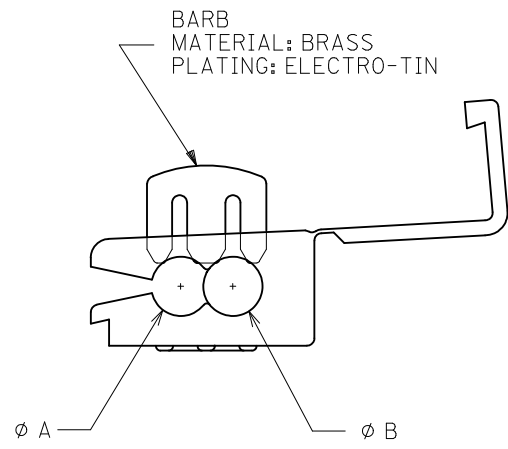
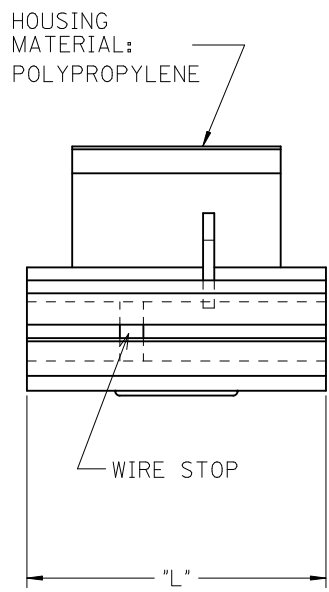
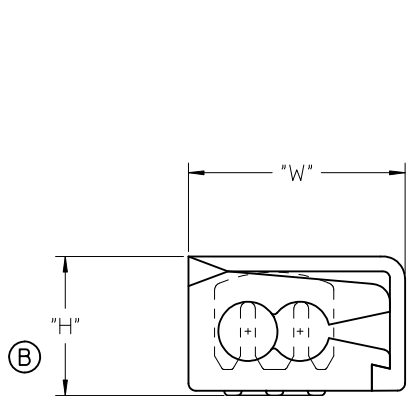
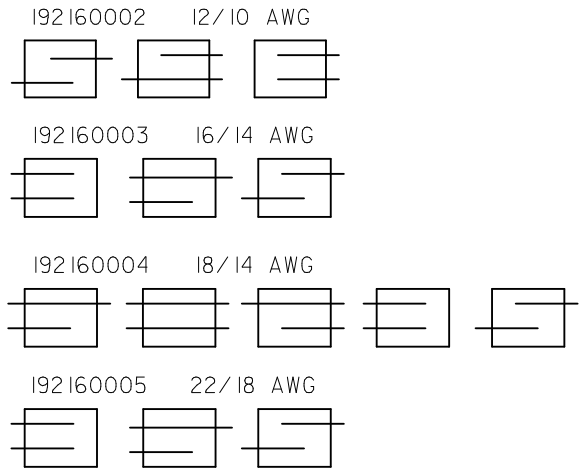


MATERIAL NUMBER	ALTERNATE NUMBER	WIRE SIZE	WIRE STOP	COLOR	"H" MAX	"W" MAX	"L" MAX	ⓑ "A" MIN	ⓑ "B" MIN
192160002	ⓑ ML-1210	12-10	YES	YELLOW	.52/(13.2)	.74/(18.8)	.80/(20.3)	.160/(4.06)	.185/(4.70)
192160003	ML-1614	16-14	YES	BLUE	.42/(10.7)	.55/(13.8)	.79/(20.1)	.125/(3.17)	.130/(3.30)
192160004	ML-1814	18-14	NO	WHITE	.42/(10.7)	.55/(13.8)	.79/(20.1)	.125/(3.17)	.130/(3.30)
192160005	ML-2218	22-18	YES	RED	.42/(10.7)	.55/(13.8)	.79/(20.1)	.120/(3.04)	.120/(3.04)



POSSIBLE WIRE CONFIGURATIONS



NOTE:
ⓑ PARTS ARE ROHS COMPLIANT.

CUSTOMER DRAWING

ADD 1210, FIX DIMS EC NO: WNA2010-0315 DR: WNETHRODAHL 2009/12/18 CHKD: JMACNEIL 2009/12/18 APPR: JMACNEIL 2009/12/18 B	QUALITY SYMBOLS ▽=0 ▽7=0	GENERAL TOLERANCES (UNLESS SPECIFIED) <table border="1"> <thead> <tr> <th></th> <th>mm</th> <th>INCH</th> </tr> </thead> <tbody> <tr> <td>4 PLACES</td> <td>± ---</td> <td>± ---</td> </tr> <tr> <td>3 PLACES</td> <td>± ---</td> <td>± .005</td> </tr> <tr> <td>2 PLACES</td> <td>± 0.13</td> <td>± .01</td> </tr> <tr> <td>1 PLACE</td> <td>± 0.25</td> <td>± ---</td> </tr> <tr> <td colspan="3">ANGULAR ± ---°</td> </tr> </tbody> </table>		mm	INCH	4 PLACES	± ---	± ---	3 PLACES	± ---	± .005	2 PLACES	± 0.13	± .01	1 PLACE	± 0.25	± ---	ANGULAR ± ---°			DIMENSION STYLE IN/MM	SCALE 1:1	DESIGN UNITS INCH	THIRD ANGLE PROJECTION
		mm	INCH																					
	4 PLACES	± ---	± ---																					
	3 PLACES	± ---	± .005																					
2 PLACES	± 0.13	± .01																						
1 PLACE	± 0.25	± ---																						
ANGULAR ± ---°																								
DRAFT WHERE APPLICABLE MUST REMAIN WITHIN DIMENSIONS	DRAWN BY DATE EDB 2000/11/22	CHECKED BY DATE HEB 2000/11/22	TITLE MULTI LOCK CONNECTOR 22 THROUGH 10 AWG																					
MATERIAL NO. SEE CHART	APPROVED BY DATE RWD 2000/11/22	MOLEX INCORPORATED																						
SIZE B	DOCUMENT NO. SD-19216-003				SHEET NO. 1 OF 1																			