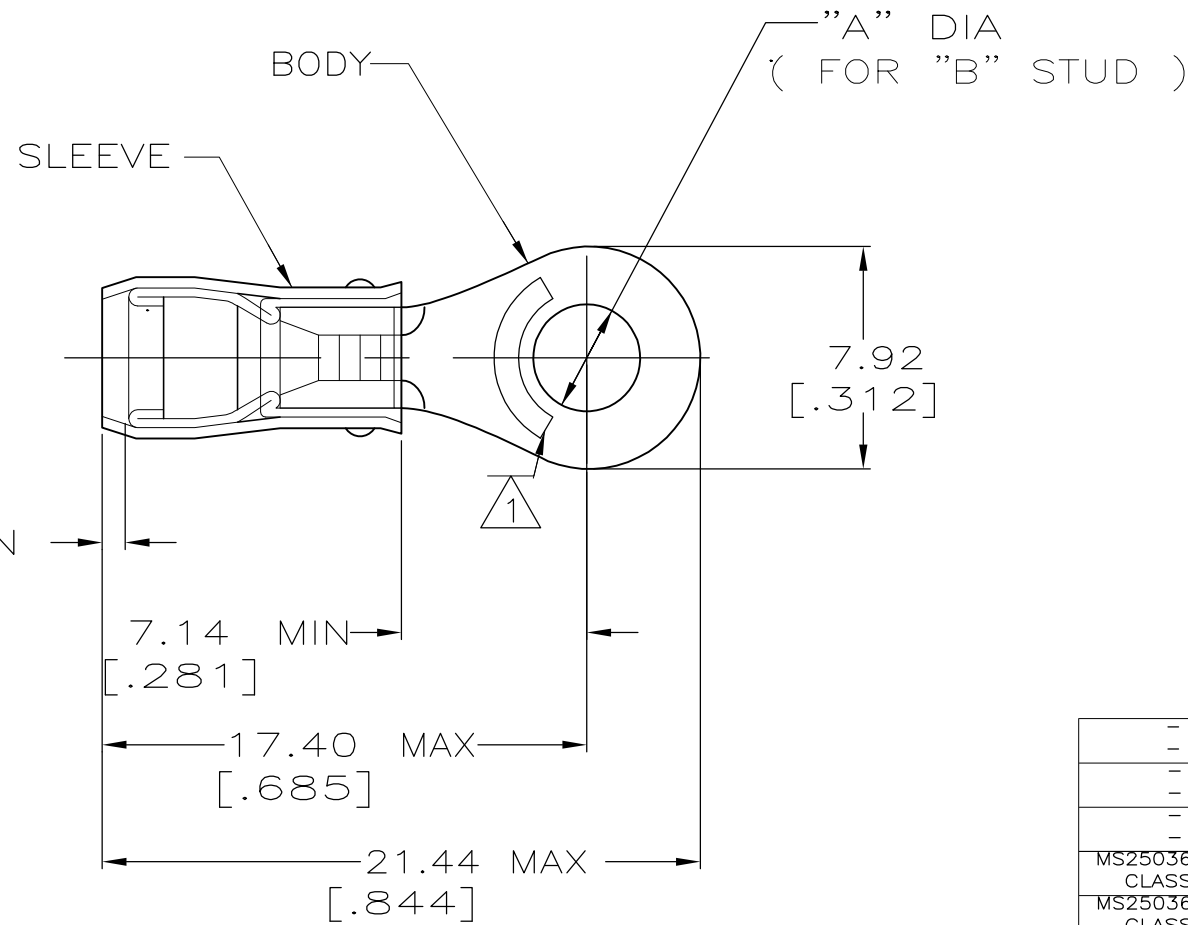


THIS DRAWING IS UNPUBLISHED. RELEASED FOR PUBLICATION - , - .  
 © COPYRIGHT - By - ALL RIGHTS RESERVED.

| LOC | DIST | REVISIONS   |                           |         |        |
|-----|------|-------------|---------------------------|---------|--------|
| P   | LTR  | DESCRIPTION | DATE                      | DWN     | APVD   |
| G   | 14   | AB1         | REVISED PER ECO-11-004587 | 11MAR11 | RK HMR |

|                                |                                |                                |
|--------------------------------|--------------------------------|--------------------------------|
| <b>AMP</b><br>WIRE RANGE       | E13288<br>Listed               | LR7189<br>Certified            |
| 16-14 AWG<br>SOLID OR STRANDED | 16-14 AWG<br>SOLID OR STRANDED | 16-14 AWG<br>SOLID OR STRANDED |



- 1 STAMP AMP 16-14\* APPROX AS SHOWN
- 2 WIRE INSULATION DIA: 2.67-3.81  
[.105-.150]
- 3 TONGUE MATERIAL THK: 0.79±0.05  
[.031±.002]

| MILITARY P/N AND CLASS  | "B" | DIM "A"               | QUANTITY | PACKAGE TYPE     | PART NO   |
|-------------------------|-----|-----------------------|----------|------------------|-----------|
| -                       | 10  | 5.00±0.08 [.197±.003] | 100      | LOOSE PIECE, BOX | 5-51864-1 |
| -                       | 8   | 4.34±0.08 [.171±.003] | 100      | LOOSE PIECE, BOX | 4-51864-1 |
| -                       | 6   | 3.68±0.08 [.145±.003] | 100      | LOOSE PIECE, BOX | 3-51864-1 |
| MS25036-153 CLASS 2     | 8   | 4.34±0.08 [.171±.003] | 5000     | ON TAPE, REEL    | 51864-5   |
| MS25036-108 CLASS 2     | 10  | 5.00±0.08 [.197±.003] | 5000     | ON TAPE, REEL    | 51864-4   |
| MS25036-107 CLASS 2     | 6   | 3.68±0.08 [.145±.003] | 5000     | ON TAPE, REEL    | 51864-3   |
| MS25036-108 CLASS 1 & 2 | 10  | 5.00±0.08 [.197±.003] | 1000     | LOOSE PIECE      | 51864-2   |
| MS25036-153 CLASS 1 & 2 | 8   | 4.34±0.08 [.171±.003] | 1000     | LOOSE PIECE      | 51864-1   |
| MS25036-107 CLASS 1 & 2 | 6   | 3.68±0.08 [.145±.003] | 1000     | LOOSE PIECE      | 51864     |

|  |  |   |
|--|--|---|
| <b>AMP INCORPORATED<br/>CUSTOMER SERVICE SYSTEMS</b>                             |  | MAX RECOMMENDED OPERATING TEMPERATURE:<br>105° C MAX  |
| FOR ADDITIONAL PRODUCT INFORMATION OR COPIES OF DRAWINGS AND TECHNICAL DOCUMENTS | PRODUCT INFORMATION CENTER<br>1-800-522-6752 | VOLTAGE RATING:<br>300 V MAX  |
| FOR APPLICATION TOOLING INFORMATION  | TOOLING ASSISTANCE CENTER<br>1-800-722-1111  | CIRCULAR MIL AREA:<br>1.04-2.62mm <sup>2</sup> [2050-5180] CIR MILS<br>SOLID OR STRANDED  |
| FOR ORDER ENTRY  | 1-800-526-5142                               | THIS DRAWING IS A CONTROLLED DOCUMENT FOR AMP INCORPORATED. IT IS SUBJECT TO CHANGE AND THE CONTROLLING ENGINEERING ORGANIZATION SHOULD BE CONTACTED FOR THE LATEST REVISION. |

|  |  |                                      |  |                       |
|--|--|--------------------------------------|--|-----------------------|
| THIS DRAWING IS A CONTROLLED DOCUMENT.   |  | DWN<br>JR RUTH<br>270CT99            | TE Connectivity  |                       |
| DIMENSIONS:<br>mm[INCHES]  |  | CHK<br>RE HERSEY<br>270CT99          |  |                       |
| TOLERANCES UNLESS OTHERWISE SPECIFIED:<br>0 PLC ± -<br>1 PLC ± -<br>2 PLC ± 0.20[.008]<br>3 PLC ± -<br>4 PLC ± -<br>ANGLES ± - |  | APVD<br>C PRESNELL<br>270CT99        | NAME<br>TERMINAL, RING TONGUE, PIDG,<br>WIRE SIZE, 16-14 AWG |                       |
| MATERIAL<br>COPPER PER ASTM B-152<br>SLEEVE, BLUE NYLON  |  | FINISH<br>TIN PLATE<br>PER ASTM B545 | PRODUCT SPEC<br>UL 486A                                      | APPLICATION SPEC      |
| WEIGHT<br>-  |  | SIZE<br>A3                           | CAGE CODE<br>00779   | DRAWING NO<br>C-51864 |
| CUSTOMER DRAWING   |  |                                      | RESTRICTED TO<br>-   | SCALE<br>NTS          |
|  |  |                                      | SHEET<br>1 OF 2  | REV<br>AB1            |

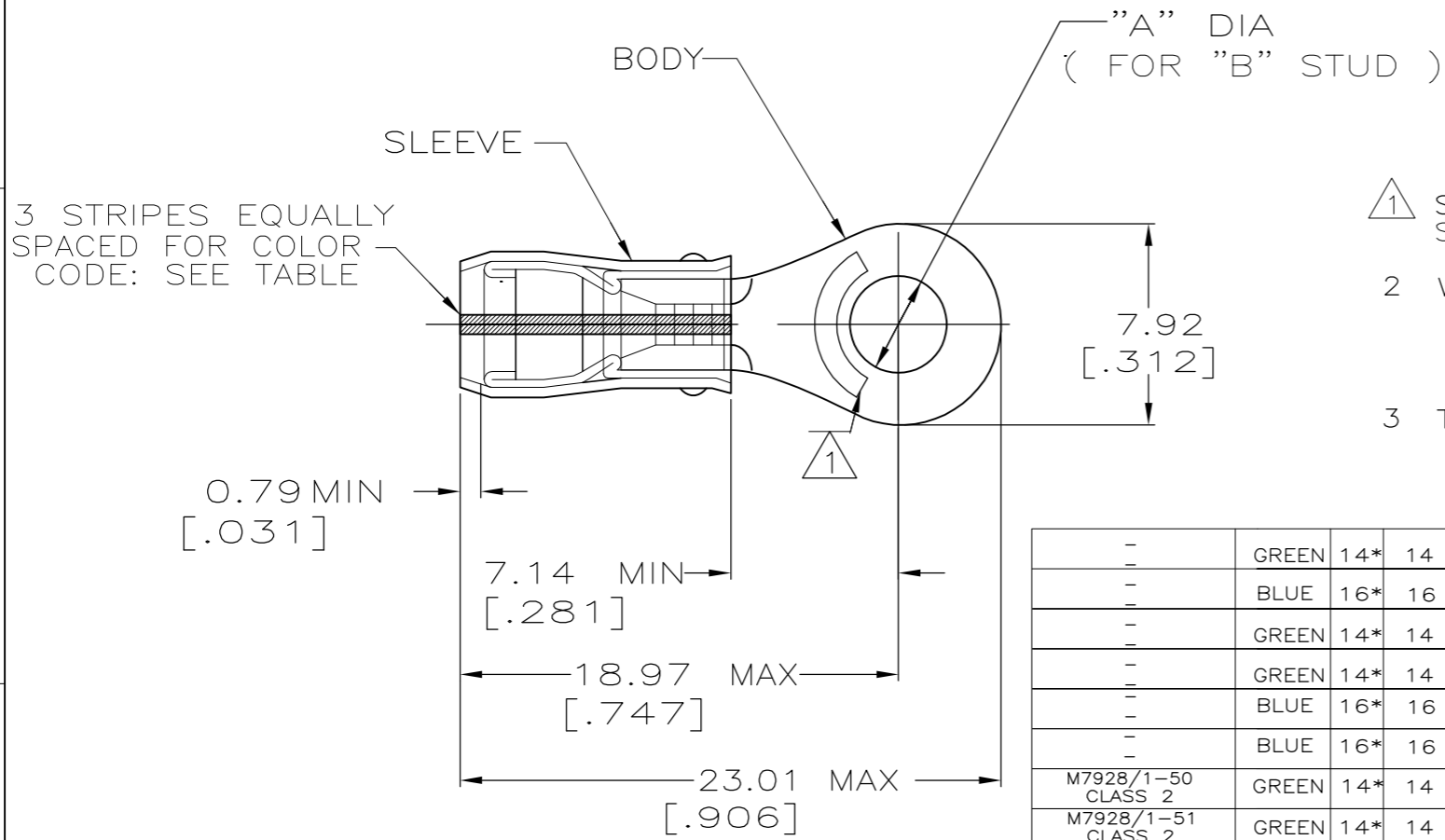
CUSTOMER DRAWING

|     |      |           |     |                           |         |     |      |
|-----|------|-----------|-----|---------------------------|---------|-----|------|
| LOC | DIST | REVISIONS |     |                           |         |     |      |
| G   | 14   | P         | LTR | DESCRIPTION               | DATE    | DWN | APVD |
|     |      |           | AB1 | REVISED PER ECO-11-004587 | 11MAR11 | RK  | HMR  |

**AMP**  
WIRE RANGE

---

SEE TABLE  
STRANDED



- 1 STAMP AMP APPROX AS SHOWN SEE TABLE BELOW
- 2 WIRE INSULATION DIA: 1.60-3.30 FOR 16 AWG  
[.063-.130]  
1.98-3.30 FOR 14 AWG  
[.078-.130]
- 3 TONGUE MATERIAL THK: 0.79±0.05  
[.031±.002]

|                        |              |     |           |     |                       |          |                  |           |
|------------------------|--------------|-----|-----------|-----|-----------------------|----------|------------------|-----------|
| -                      | GREEN        | 14* | 14        | 8   | 4.34±0.08 [.171±.003] | 100      | LOOSE PIECE, BOX | 9-51864-5 |
| -                      | BLUE         | 16* | 16        | 8   | 4.34±0.08 [.171±.003] | 100      | LOOSE PIECE, BOX | 9-51864-3 |
| -                      | GREEN        | 14* | 14        | 10  | 5.00±0.08 [.197±.003] | 100      | LOOSE PIECE, BOX | 9-51864-1 |
| -                      | GREEN        | 14* | 14        | 6   | 3.68±0.08 [.145±.003] | 100      | LOOSE PIECE, BOX | 8-51864-1 |
| -                      | BLUE         | 16* | 16        | 10  | 5.00±0.08 [.197±.003] | 100      | LOOSE PIECE, BOX | 7-51864-1 |
| -                      | BLUE         | 16* | 16        | 6   | 3.68±0.08 [.145±.003] | 100      | LOOSE PIECE, BOX | 6-51864-1 |
| M7928/1-50 CLASS 2     | GREEN        | 14* | 14        | 8   | 4.34±0.08 [.171±.003] | 5000     | ON TAPE, REEL    | 1-51864-7 |
| M7928/1-51 CLASS 2     | GREEN        | 14* | 14        | 10  | 5.00±0.08 [.197±.003] | 5000     | ON TAPE, REEL    | 1-51864-5 |
| M7928/1-42 CLASS 2     | BLUE         | 16* | 16        | 10  | 5.00±0.08 [.197±.003] | 5000     | ON TAPE, REEL    | 1-51864-3 |
| M7928/1-40 CLASS 2     | BLUE         | 16* | 16        | 6   | 3.68±0.08 [.145±.003] | 5000     | ON TAPE, REEL    | 1-51864-2 |
| M7928/1-50 CLASS 1 & 2 | GREEN        | 14* | 14        | 8   | 4.34±0.08 [.171±.003] | 1000     | LOOSE PIECE      | 1-51864-1 |
| M7928/1-41 CLASS 1 & 2 | BLUE         | 16* | 16        | 8   | 4.34±0.08 [.171±.003] | 1000     | LOOSE PIECE      | 1-51864-0 |
| M7928/1-51 CLASS 1 & 2 | GREEN        | 14* | 14        | 10  | 5.00±0.08 [.197±.003] | 1000     | LOOSE PIECE      | 51864-9   |
| M7928/1-49 CLASS 1 & 2 | GREEN        | 14* | 14        | 6   | 3.68±0.08 [.145±.003] | 1000     | LOOSE PIECE      | 51864-8   |
| M7928/1-42 CLASS 1 & 2 | BLUE         | 16* | 16        | 10  | 5.00±0.08 [.197±.003] | 1000     | LOOSE PIECE      | 51864-7   |
| M7928/1-40 CLASS 1 & 2 | BLUE         | 16* | 16        | 6   | 3.68±0.08 [.145±.003] | 1000     | LOOSE PIECE      | 51864-6   |
| MILITARY P/N AND CLASS | STRIPE COLOR | 1   | WIRE SIZE | "B" | DIM "A"               | QUANTITY | PACKAGE TYPE     | PART NO   |

|   |  |  |   |  |                                   |   |                    |                       |                               |                 |            |
|---|--|--|---|--|-----------------------------------|---|--------------------|-----------------------|-------------------------------|-----------------|------------|
| <b>AMP INCORPORATED</b><br>CUSTOMER SERVICE SYSTEMS   |  | MAX RECOMMENDED OPERATING TEMPERATURE: 105° C MAX  | THIS DRAWING IS A CONTROLLED DOCUMENT.                  |  | DWN<br>JR RUTH<br>26OCT99         | <b>STE</b> TE Connectivity                              |                    |                       |                               |                 |            |
| FOR ADDITIONAL PRODUCT INFORMATION OR COPIES OF DRAWINGS AND TECHNICAL DOCUMENTS  | PRODUCT INFORMATION CENTER<br>1-800-522-6752 | VOLTAGE RATING: 300 V MAX  | DIMENSIONS:<br>mm[INCHES]                               | TOLERANCES UNLESS OTHERWISE SPECIFIED:<br>0 PLC ± -<br>1 PLC ± -<br>2 PLC ± 0.20[.008]<br>3 PLC ± -<br>4 PLC ± -<br>ANGLES ± - | CHK<br>RE HERSEY<br>26OCT99       |   |                    |                       | NAME<br>C PRESNELL<br>26OCT99 |                 |            |
| FOR APPLICATION TOOLING INFORMATION   | TOOLING ASSISTANCE CENTER<br>1-800-722-1111  | WIRE RANGE: CIRC MIL AREA:<br>16 1.42mm <sup>2</sup> [2800]<br>14 2.15mm <sup>2</sup> [4234] |   |  | PRODUCT SPEC<br>-                 | TERMINAL, RING TONGUE, I.R., PIDG™, WIRE SIZE, 16-14AWG |                    |                       |                               |                 |            |
| FOR ORDER ENTRY   | 1-800-526-5142                               | STRANDED   | MATERIAL<br>COPPER PER ASTM B-152<br>SLEEVE, BLUE NYLON | FINISH<br>TIN PLATE PER ASTM B545  | APPLICATION SPEC<br>NOT AVAILABLE | SIZE<br>A3  | CAGE CODE<br>00779 | DRAWING NO<br>C-51864 | RESTRICTED TO<br>-            |                 |            |
| THIS DRAWING IS A CONTROLLED DOCUMENT FOR AMP INCORPORATED. IT IS SUBJECT TO CHANGE AND THE CONTROLLING ENGINEERING ORGANIZATION SHOULD BE CONTACTED FOR THE LATEST REVISION. |  | MATERIAL<br>COPPER PER ASTM B-152<br>SLEEVE, BLUE NYLON                                      |   | FINISH<br>TIN PLATE PER ASTM B545  | WEIGHT<br>-                       | CUSTOMER DRAWING  |                    |                       | SCALE<br>NTS                  | SHEET<br>2 OF 2 | REV<br>AB1 |