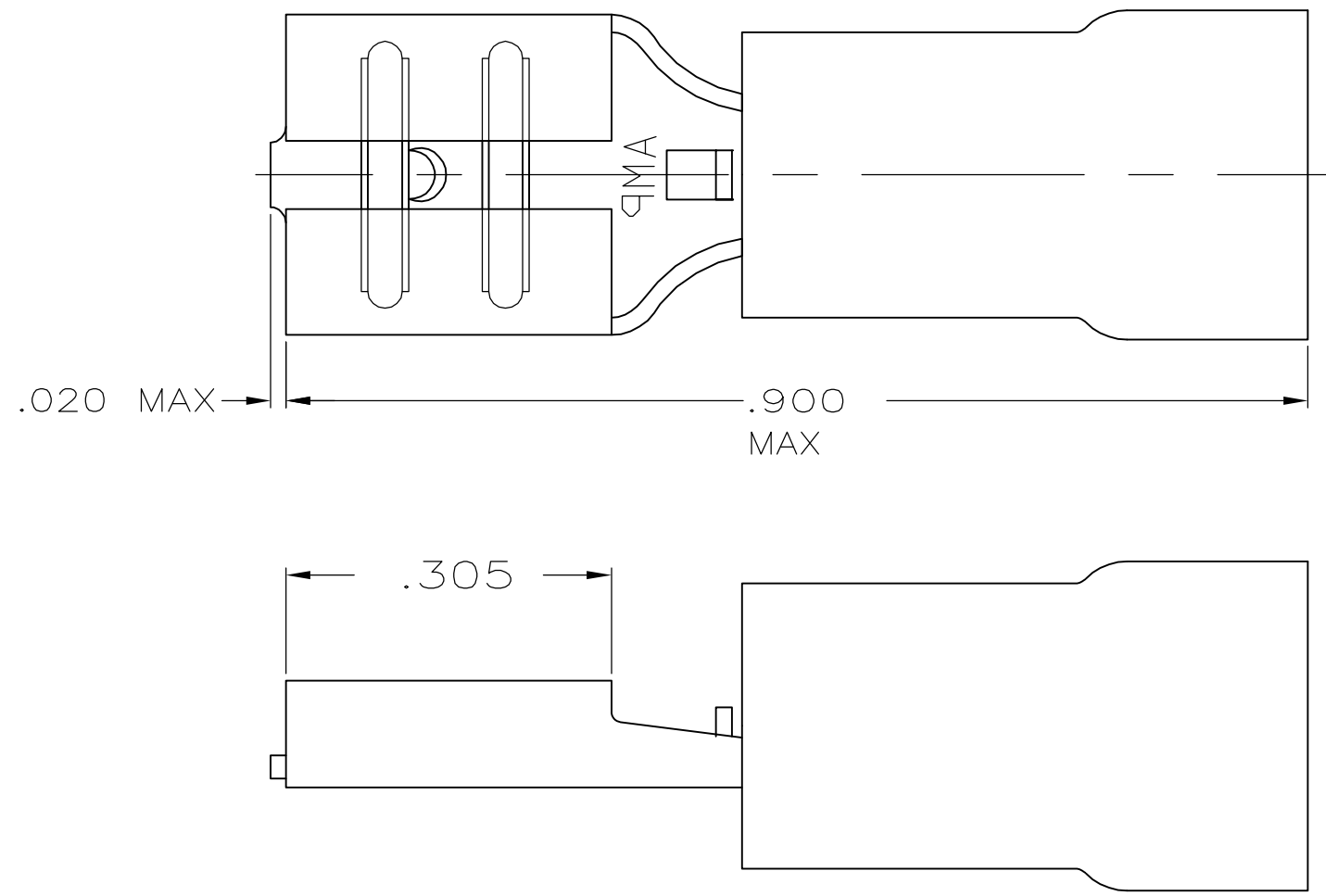


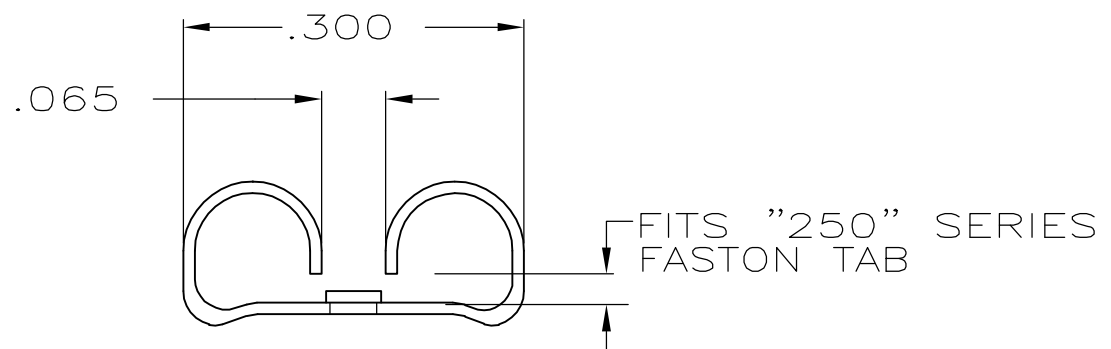
THIS DRAWING IS UNPUBLISHED. RELEASED FOR PUBLICATION
 © COPYRIGHT BY TYCO ELECTRONICS CORPORATION. ALL RIGHTS RESERVED.

LOC	DIST	REVISIONS					
G	14	P	LTR	DESCRIPTION	DATE	DWN	APVD
			N1	REV PER ECR 06-001832	24APR06	JR	TM



- 1. INSULATION DIA .170 MAX
- 2. FITS TAB .032 THK
- 3 PRELIMINARY - NOT FOR PRODUCTION

AMP WIRE RANGE	FILE E66717	LR7189 Certified
16-14 AWG STRANDED	16-14 AWG STRANDED	16-14 AWG STRANDED



3	LOOSE PC,BAG	3 8-640905-7
50	LOOSE PC,BAG	8-640905-6
5	LOOSE PC,BLS,SPL	8-640905-5
100	LOOSE PC,BOX	8-640905-1
3500	TAPE MOUNTED	640905-2
1000	LOOSE PIECE	640905-1
QTY	PACKAGE TYPE	PART NO

AMP INCORPORATED CUSTOMER SERVICE SYSTEMS		MAX RECOMMENDED OPERATING TEMPERATURE: 105°C	THIS DRAWING IS A CONTROLLED DOCUMENT.		DWN L OLMEDA 26JUN95	Tyco Electronics Corporation Harrisburg, PA 17105			
FOR ADDITIONAL PRODUCT INFORMATION OR COPIES OF DRAWINGS AND TECHNICAL DOCUMENTS	PRODUCT INFORMATION CENTER 1-800-522-6752	VOLTAGE RATING: 300V MAX	DIMENSIONS: INCHES	TOLERANCES UNLESS OTHERWISE SPECIFIED:	CHK M ELLIS 26JUN95	NAME RECEPTACLE, 250 SERIES, FASTON , PIDG , 16-14			
FOR APPLICATION TOOLING INFORMATION	TOOLING ASSISTANCE CENTER 1-800-722-1111	CIRCULAR MIL AREA: 2,050-5,180 STRANDED		0 PLC ± - 1 PLC ± - 2 PLC ± .015 3 PLC ± - 4 PLC ± - ANGLES ± -	APVD B BARE 26JUN95	APPLICATION SPEC UL 310			
FOR ORDER ENTRY	1-800-526-5142	THIS DRAWING IS A CONTROLLED DOCUMENT FOR AMP INCORPORATED. IT IS SUBJECT TO CHANGE AND THE CONTROLLING ENGINEERING ORGANIZATION SHOULD BE CONTACTED FOR THE LATEST REVISION.	MATERIAL BODY,BRASS .018	FINISH BODY,TIN	PRODUCT SPEC 114-1002	SIZE A3	CAGE CODE 00779	DRAWING NO C-640905	RESTRICTED TO -
CUSTOMER DRAWING			SCALE 6:1	SHEET 1 OF 1	REV N1				