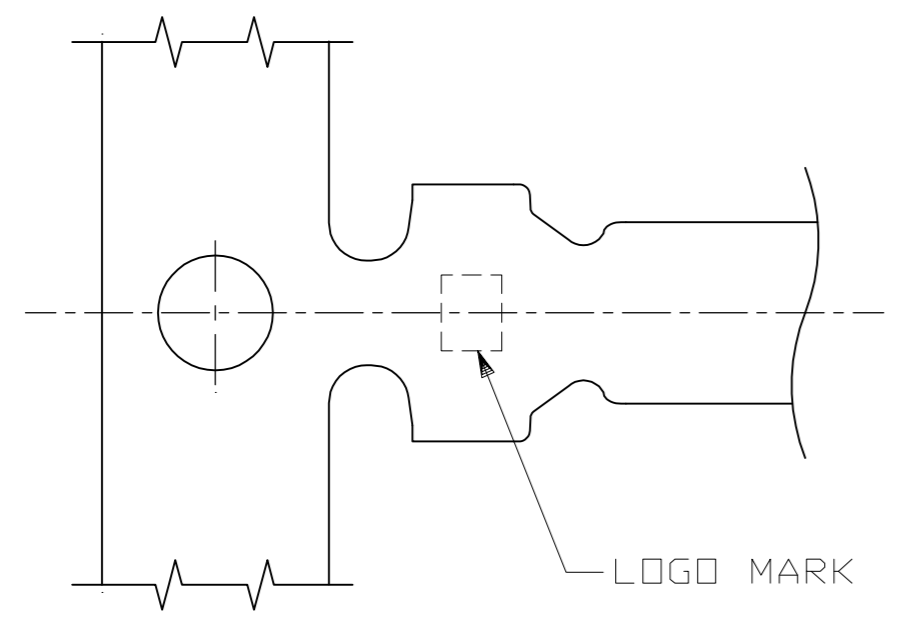
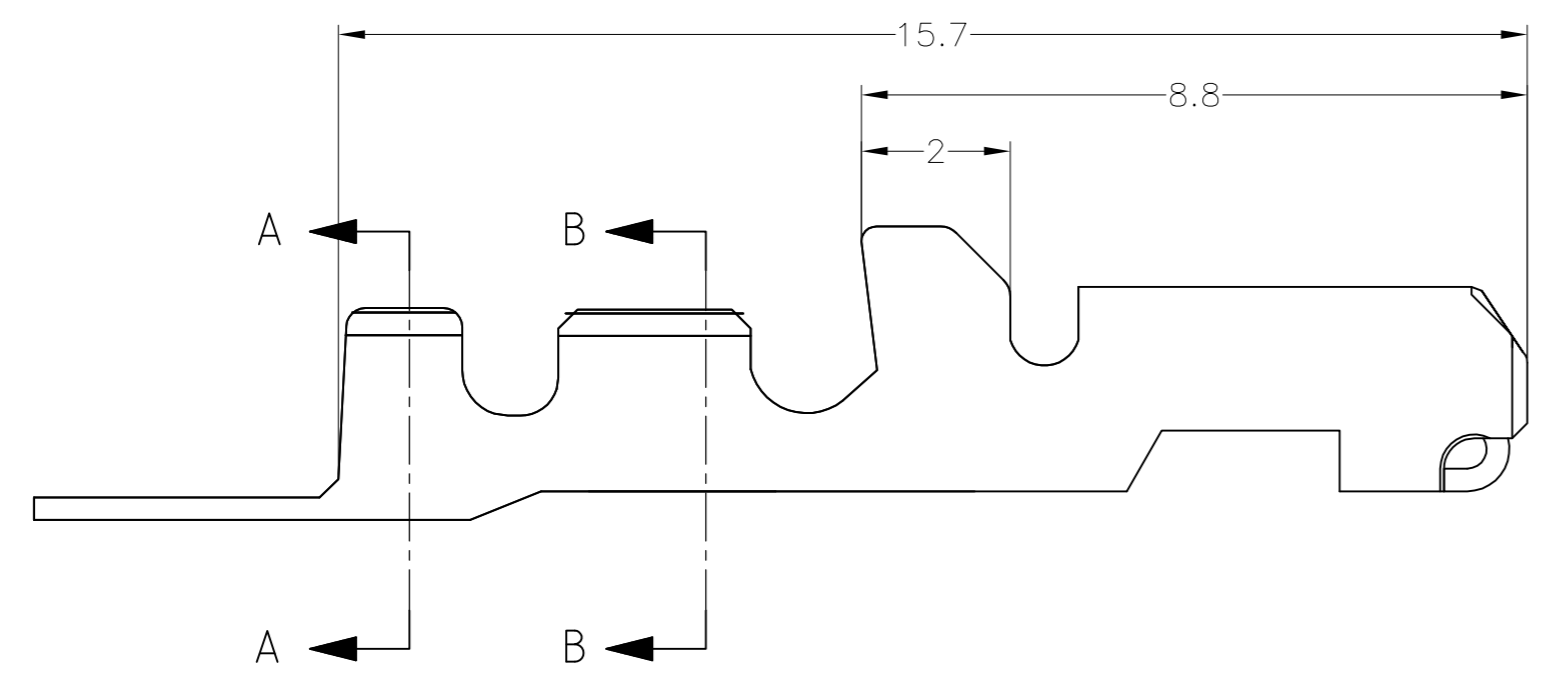
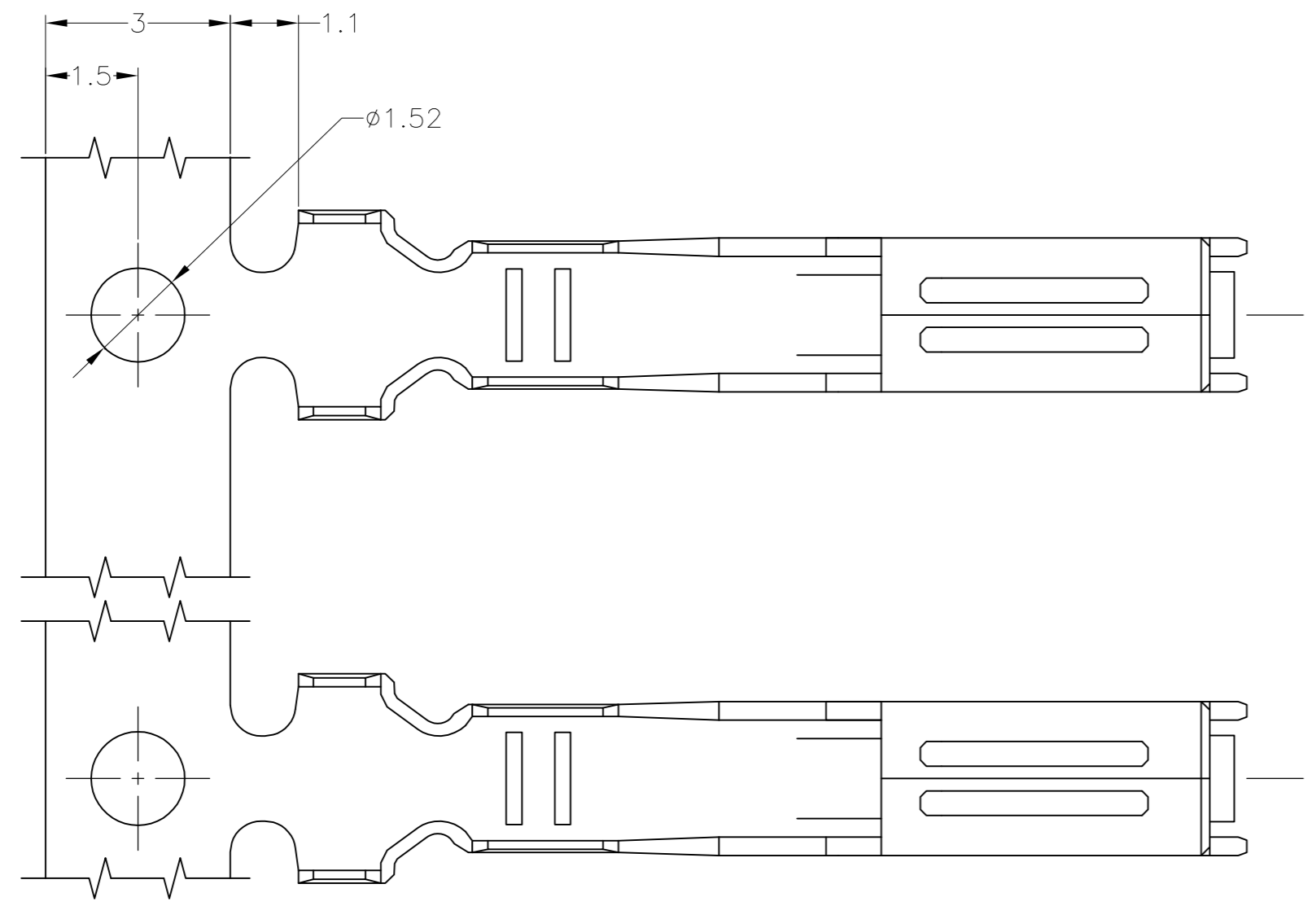
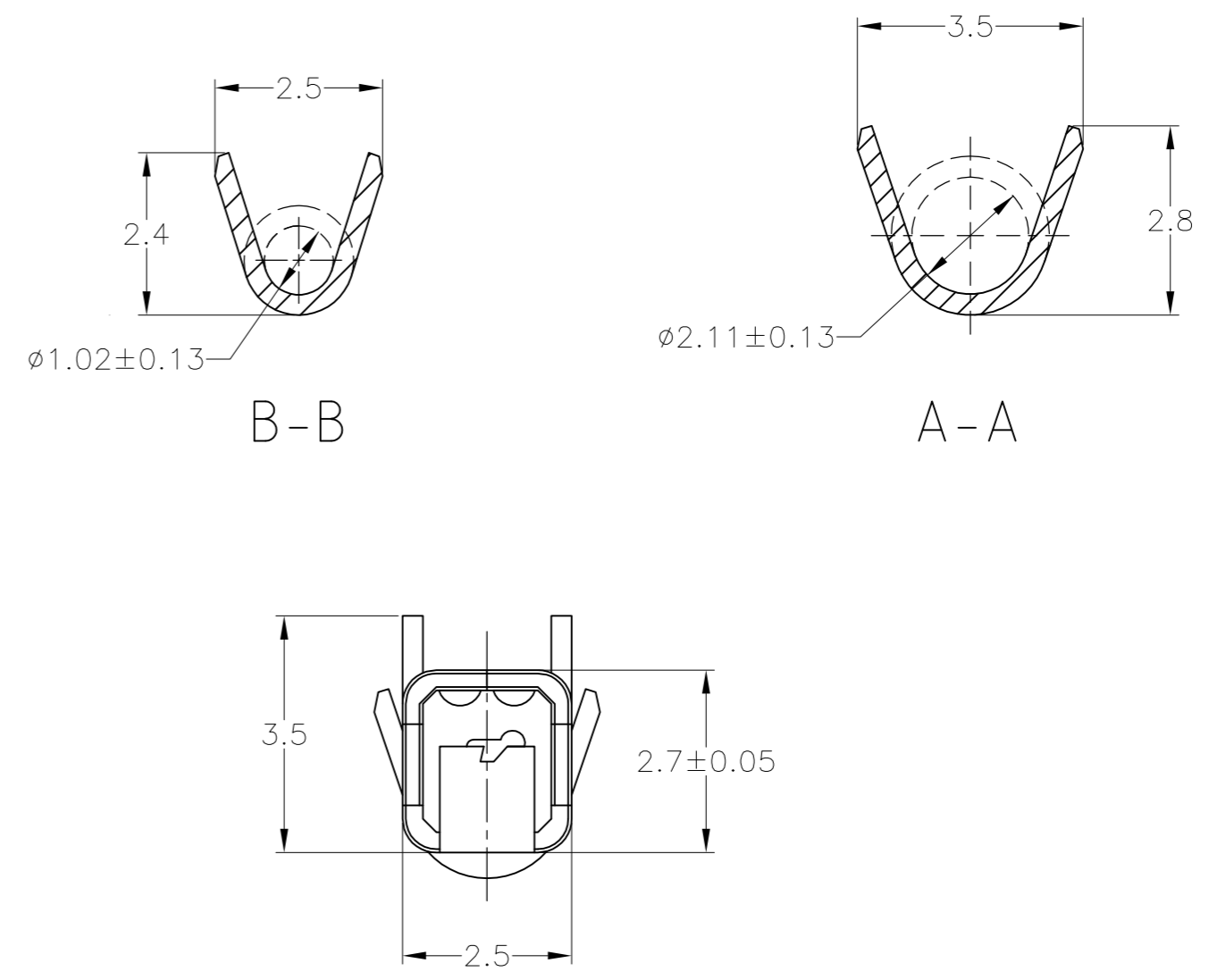


THIS DRAWING IS UNPUBLISHED. RELEASED FOR PUBLICATION
 © COPYRIGHT - By - ALL RIGHTS RESERVED.

LOC	DIST	REVISIONS					
		P	LTR	DESCRIPTION	DATE	DWN	APVD
J	-	D1		REVISED PER ECO-11-005140	28MAR11	RK	HMR



- 1. FINISH: 0.00250 MIN THK BRIGHT TIN OVER
0.00040 MIN THK COPPER
- 2. DESIGNED TO MATE WITH 1.50 × 0.82 TIN PLATE BLADE
- 3. WIRE RANGE: 22-18 AWG
INSULATION DIAMETER RANGE: 1.1-2.25



776001-1
PART NUMBER

THIS DRAWING IS A CONTROLLED DOCUMENT.		DWN T.SHINOHARA 14JAN03	TE Connectivity	
DIMENSIONS: 单位: 毫米 mm		CHK K.BETSUI 14JAN03		
TOLERANCES UNLESS OTHERWISE SPECIFIED: 一般公差		APVD K.BETSUI 14JAN03	NAME 名称	
0 PLC ± - 1 PLC ± 0.25 2 PLC ± 0.15 3 PLC ± - 4 PLC ± - ANGLES ± -		PRODUCT SPEC 108-1452	RECEPTACLE TERMINAL 1.5MM SERIES OBD CONNECTOR	
MATERIAL 材料 BRASS C26000, TEMP 4, 0.300±0.010 THK		APPLICATION SPEC 取付適用規格 114-2136	SIZE A2	CAGE CODE 00779
FINISH 仕上		WEIGHT -	DRAWING NO 番号 C=776001	RESTRICTED TO -
		CUSTOMER DRAWING	SCALE 尺度 10:1	SHEET 1 OF 1
				REV D1