

**ebm-papst St. Georgen GmbH & Co. KG**

Hermann-Papst-Str. 1
 D-78112 St. Georgen
 Phone +49 (0) 7724 81-0
 Fax +49 (0) 7724 81-1309
 info2@de.ebmpapst.com
 www.ebmpapst.com

Nominal data

Type	6314 / 2 TDHP	
Nominal voltage	VDC	24
Nominal voltage range	VDC	16 .. 36
Speed	min ⁻¹	5500
Power input	W	40
Min. ambient temperature	°C	-20
Max. ambient temperature	°C	75
Air flow	m ³ /h	600
Sound power level	B	7.3
Sound pressure level	dB(A)	60

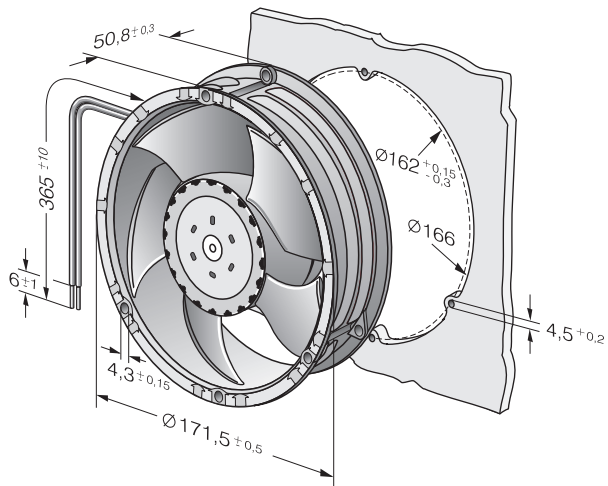
ml = Max. load · me = Max. efficiency · fa = Running at free air · cs = Customer specs · cu = Customer unit
 Subject to alterations



Technical features

General description	3-phase fan drive, very smooth running and highly efficient Housing with grounding lug for M4x8 screw (Torx)
Impeller material	Fibreglass-reinforced plastic (PA)
Mass	0.910 kg
Dimensions	172 Ø x 51 mm
Housing material	Die-cast aluminium
Direction of air flow	Air exhaust over bars
Direction of rotation	Counterclockwise, looking at rotor
Bearing	Ball bearings
Lifetime L10 at 40 °C	75000 h
Lifetime L10 at maximum temperature	30000 h
Connection line	Via single strands AWG 18, 20 or AWG 22, TR 64, speed signal and control input AWG 22
Motor protection	Protected against reverse polarity and locking.

Product drawing



Charts

