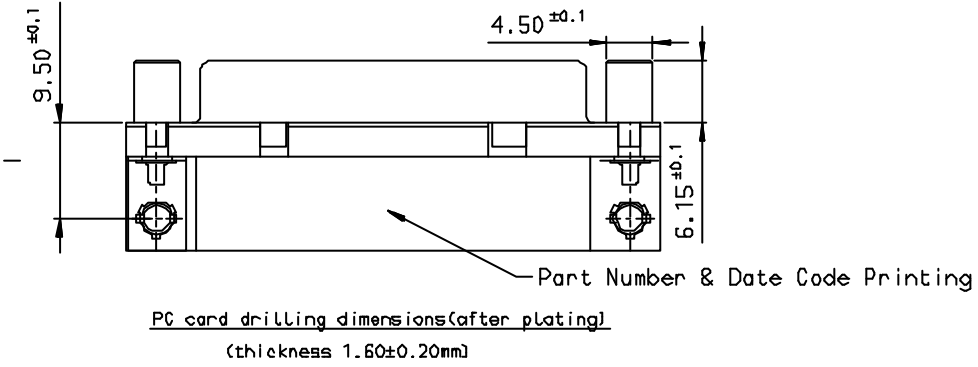
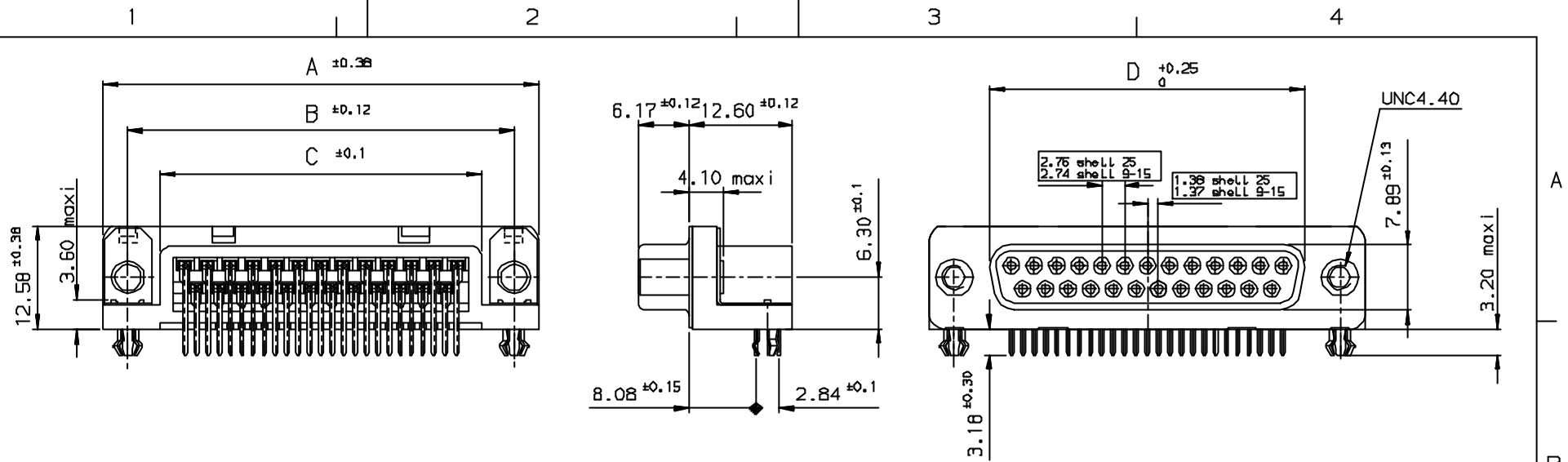


Tous droits strictement réservés. Reproduction ou communication à des tiers interdites sans autorisation écrite de la propriété de FCI. Droits de reproduction FCI.

FCI

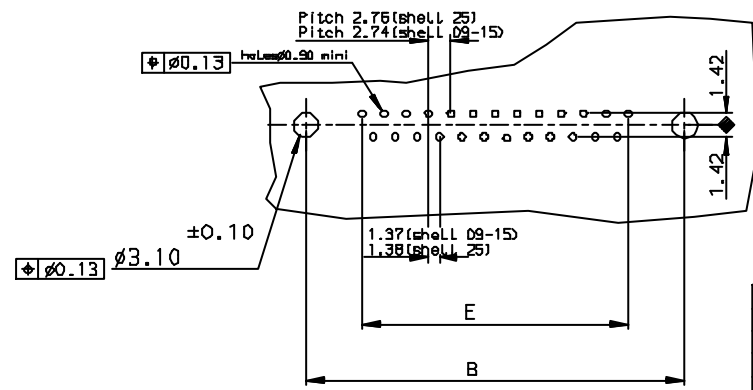
All rights strictly reserved. Reproduction or issues in third parties in any form without the written authority from the proprietor. Property of FCI. Copyright FCI.



Pull Parts						PART NUMBER
SHELL	A±0.38	B±0.12	C±0.10	D±0.25	E±0.07	Gold Flash
09	30.81	24.99	16.96	16.21	10.96	D09S33E4GV00**
15	39.14	33.32	25.18	24.54	19.18	D15S33E4GV00**
25	53.03	47.04	39.12	38.25	33.12	D25S33E4GV00**

GENERAL CHARACTERISTICS, SEE DRAWING C01-8646-0000

LF FOR LEAD FREE



Utr	Eon no	Dr	date
•	105-0124	JS	27/7/05

Dr JOHN SLEEBA		7/4/93	Product Family	DELTA-D	Tolerance LINEAR ±0.1 ANGULAR ±1°	Projection	MM
Eng GEORGE W		7/4/93	Spec ref			Size	A3
Chr GEORGE W		27/7/05	Material			Scale	
Appr K Somasundaram		27/7/05				ECN	
FCI		Title		Socket Connect. Delta D right angle screwlock, harpoon & metal plate		Dwg no	
						C01-8646-0147	
Catalog no		DELTA-D		CUSTOMER COPY		Sheet 1 of 1	

INDEX	DATE	REVISION DESCRIPTION
•	27/7/05	LEAD FREE DETAILS ADDED