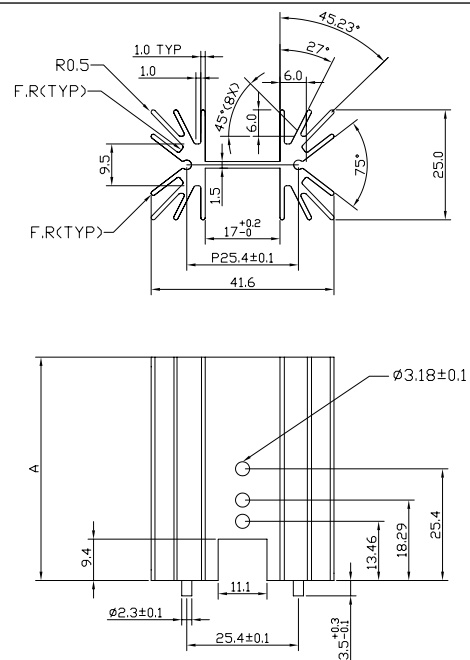


Heatsink Extruded

A high power dissipation, vertical mounting extruded heatsink with solderable fixing pins and notched base. Pre-drilled for a single TO218/220 package or via clip available separately.

Product Features:

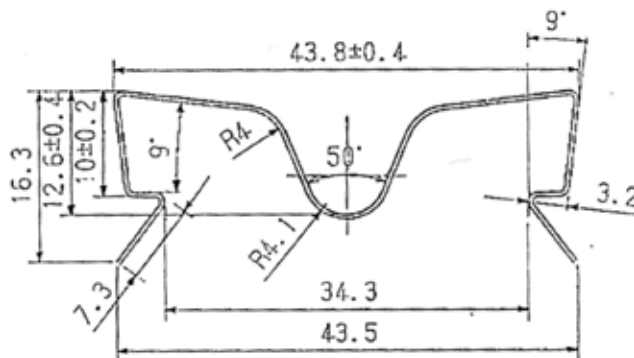
- Choice of thermal resistance
- Notched base
- Solderable mounting pins
- Pre-drilled mounting holes
- Black anodize finish



Ant Group No:	Thermal Resistance:	Height (mm):	Device Mtg:
HHS-1002	3.9°C/W	38.1	Clip 5
HHS-1003	3.6°C/W	50.8	Clip 5
HHS-1004	3.1°C/W	63.5	Clip 5

Ant Group No:	Description:
HHS-3050	Clip 5

Clip 5



NOTES
 DIMENSION TOLERANCE X.X±0.3
 X' ±3'