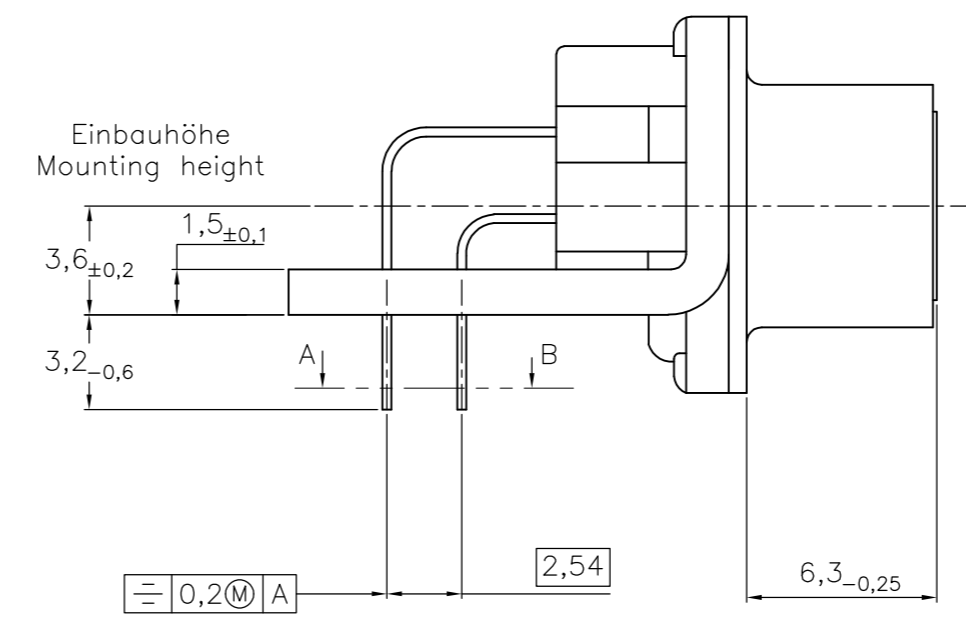
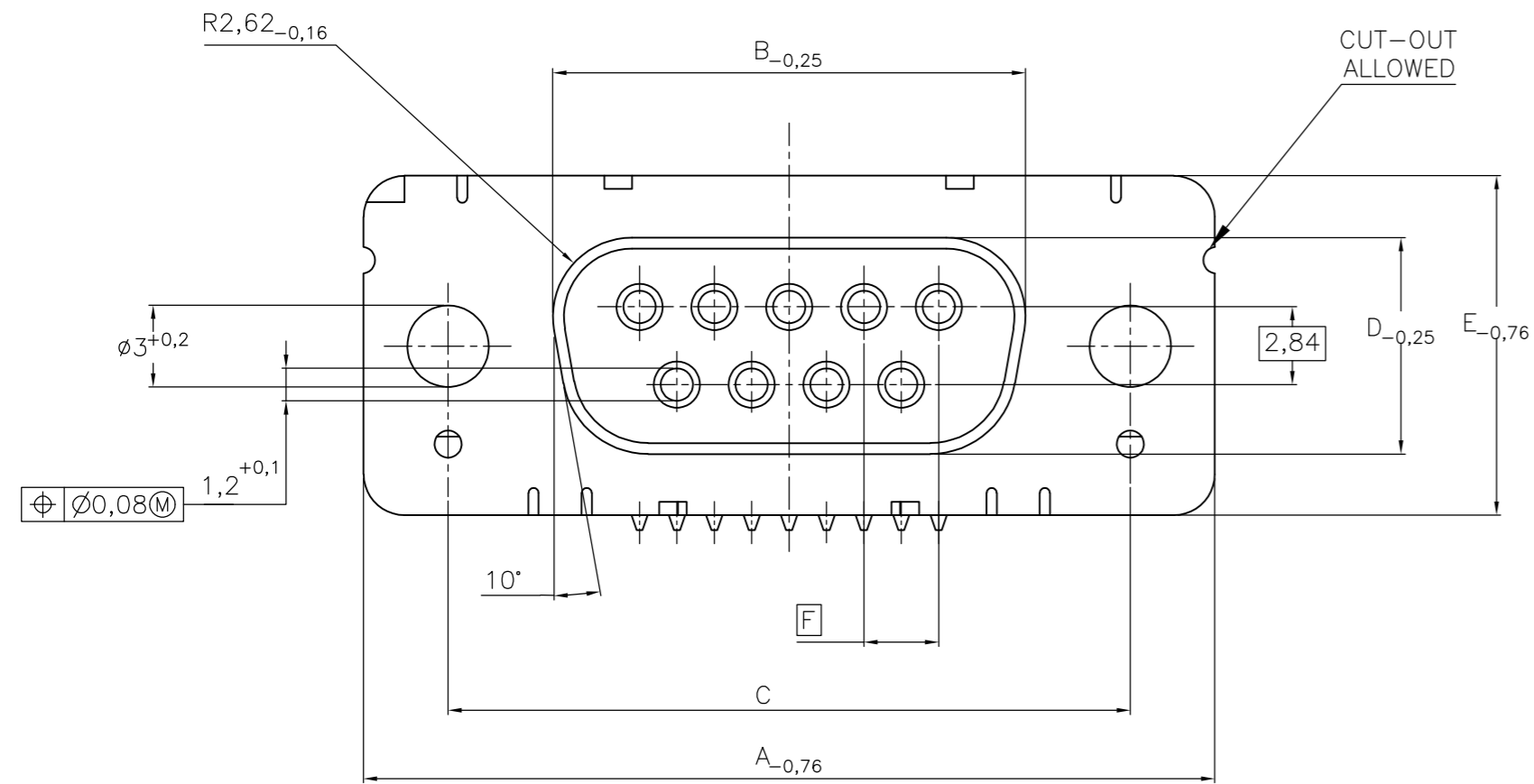


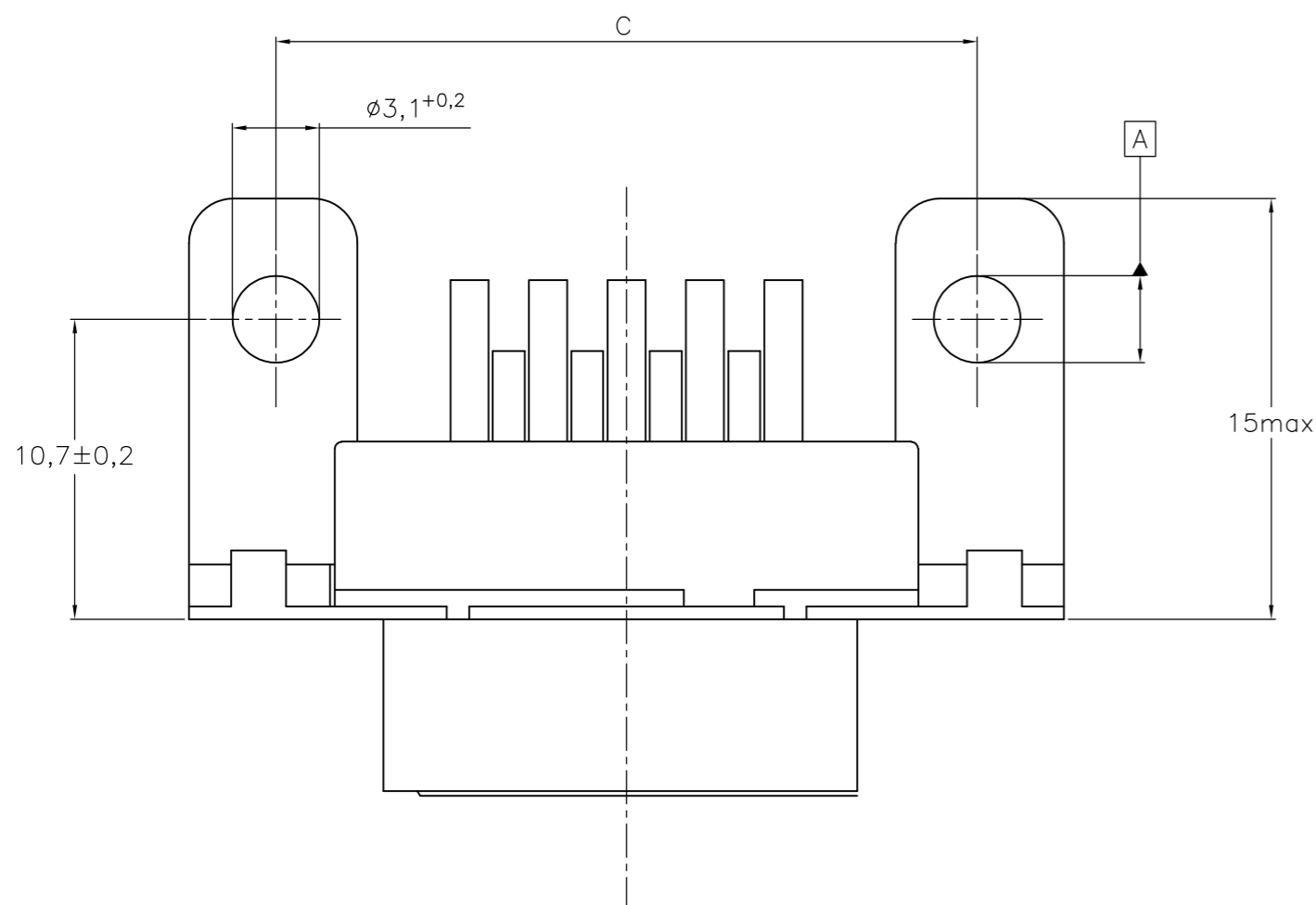
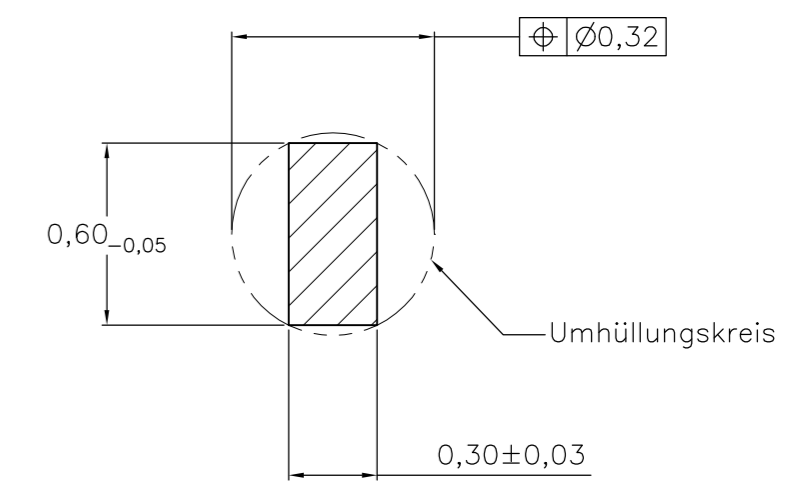
THIS DRAWING IS UNPUBLISHED. RELEASED FOR PUBLICATION
 © COPYRIGHT - By - ALL RIGHTS RESERVED.

LOC		DIST		REVISIONS			
P	LTR	DESCRIPTION	DATE	DWN	APVD		
GP	00	C	REVISIED PER ECO-15-007873	18JUN2015	AP	SB	

Standardausführung: V23529-Bx121-Bxxx-+
 Standardversion



Schnitt AB des Lötanschlusses
 Cross-section AB of solderpin
 (20:1)



Ordercode Sachnr	Contacts Polzahl	Mass/Dimension					
		A	B	C	D	E	F
..-Bx09-+	09	31,19	16,46	25,0 $\begin{smallmatrix} +0,12 \\ -0,13 \end{smallmatrix}$	8,02	12,93	2,74
..-Bx15-+	15	39,52	24,79	33,3 $\begin{smallmatrix} +0,15 \\ -0,1 \end{smallmatrix}$			2,74
..-Bx25-+	25	53,42	38,5	47,04 $\begin{smallmatrix} +0,13 \\ -0,13 \end{smallmatrix}$			2,76
..-Bx37-+	37	69,7	54,96	63,5 $\begin{smallmatrix} +0,13 \\ -0,13 \end{smallmatrix}$			2,76

Anforderungsstufe/Performance level ¹⁾

1) nach DIN 41652T.2 und T.4
 according to DIN 41652 T.2 AND T.4

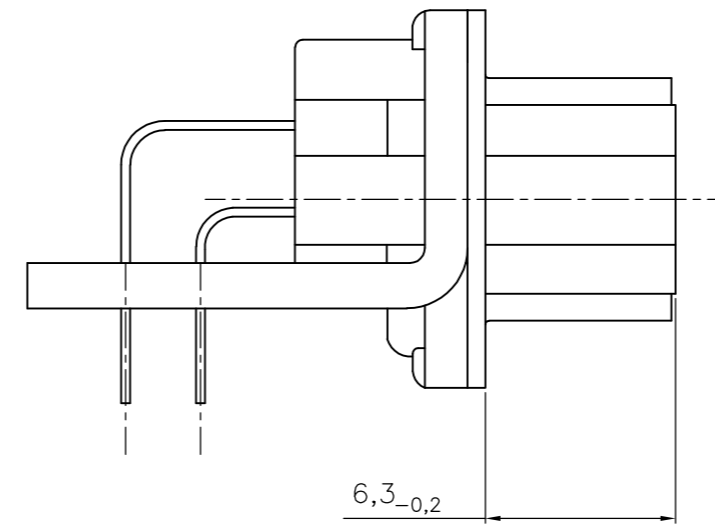
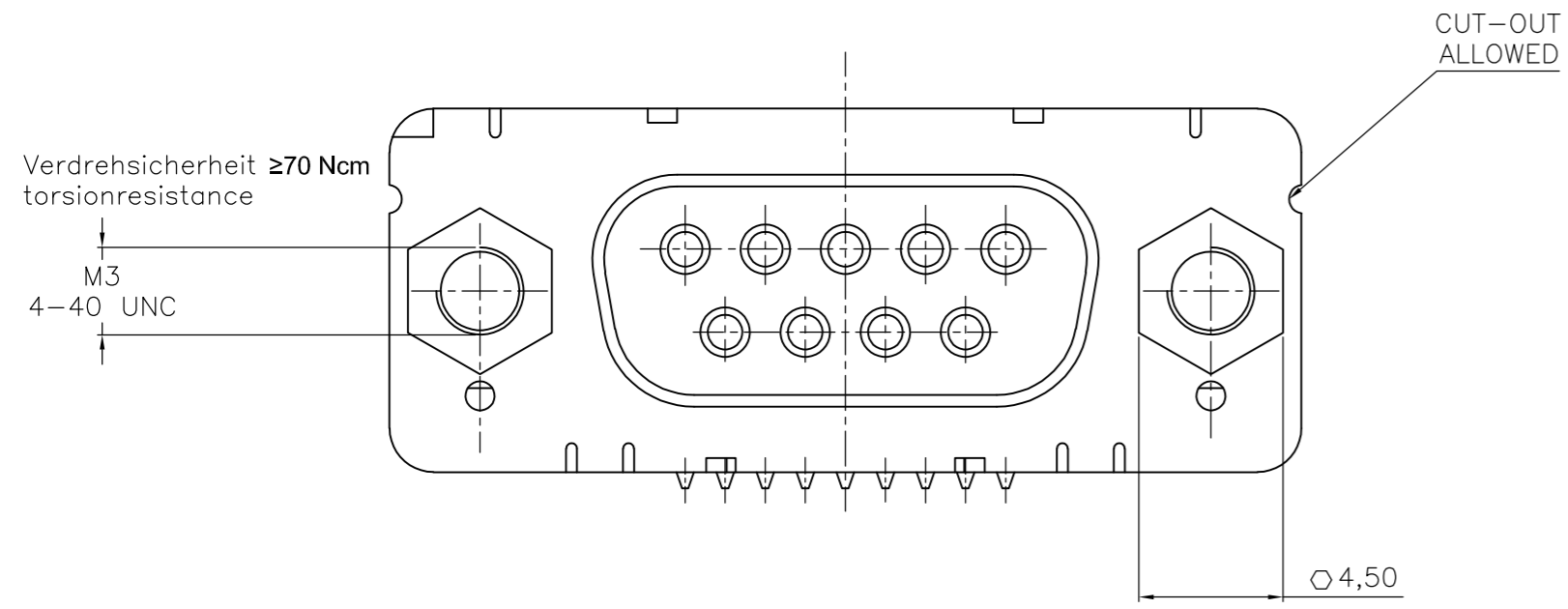
OLD PN: V23529-B****-B***-*-7427

THIS DRAWING IS A CONTROLLED DOCUMENT.		DWN	07JAN10	TE TE Connectivity	
		CHK	GNANI JADAV A E		
DIMENSIONS:		TOLERANCES UNLESS OTHERWISE SPECIFIED:		NAME Buchsenleiste ¹⁾ Einbauhöhe 3,6 mm (Variante 1) Socketconnector-90° solderversion (Type1) ¹⁾	
mm					
		0 PLC	± -		
		1 PLC	± -		
MATERIAL		FINISH		SIZE	RESTRICTED TO
				A2	
				CAGE CODE	
				00779	
				DRAWING NO	
				C=1-1393480-7	
				SCALE	REV
				2:1	C
				SHEET	
				1 of 6	
				CUSTOMER DRAWING	

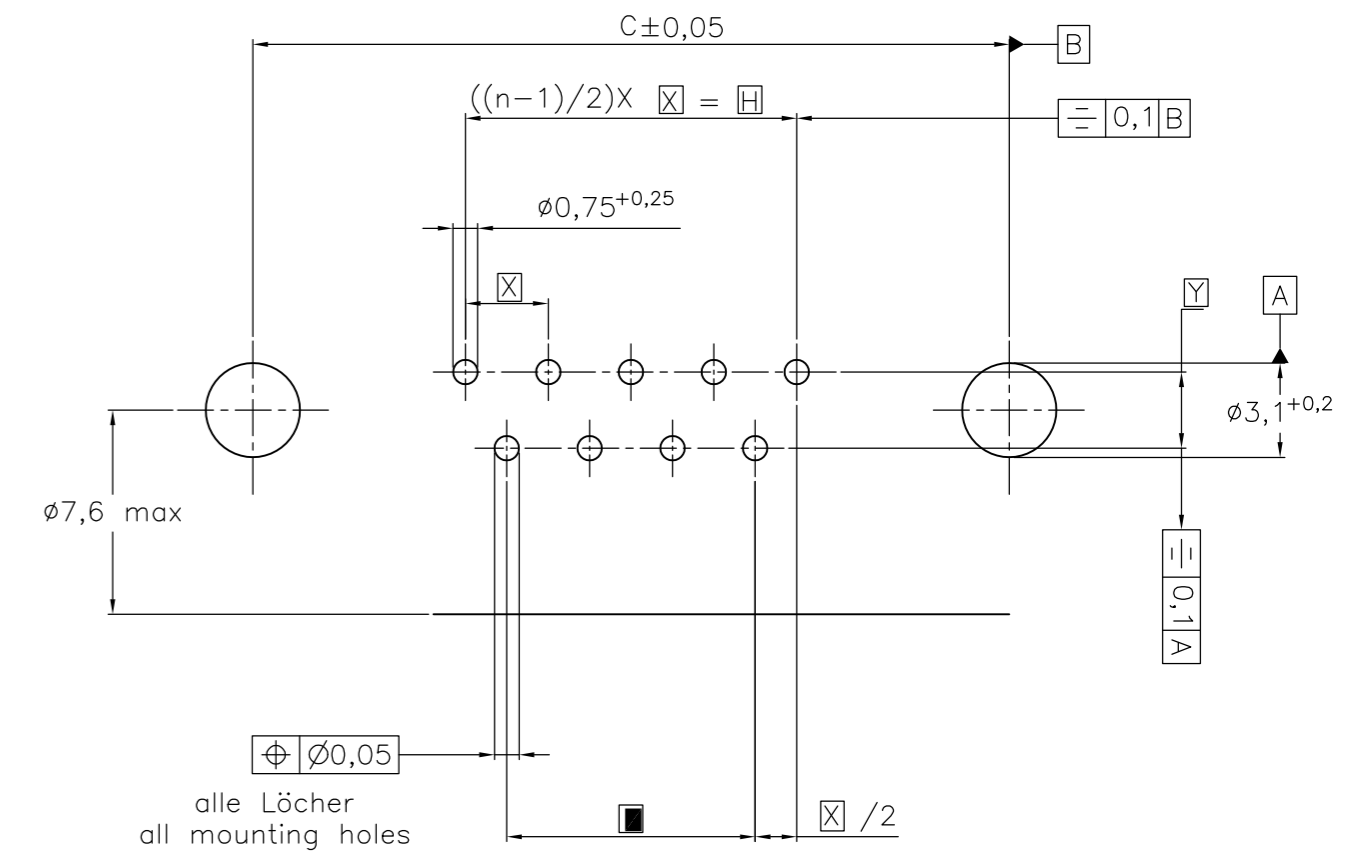
THIS DRAWING IS UNPUBLISHED. RELEASED FOR PUBLICATION
 © COPYRIGHT - By - ALL RIGHTS RESERVED.

LOC		DIST		REVISIONS			
GP	00	P	LTR	DESCRIPTION	DATE	DWN	APVD
		-		SEE SHEET 1	-	-	-

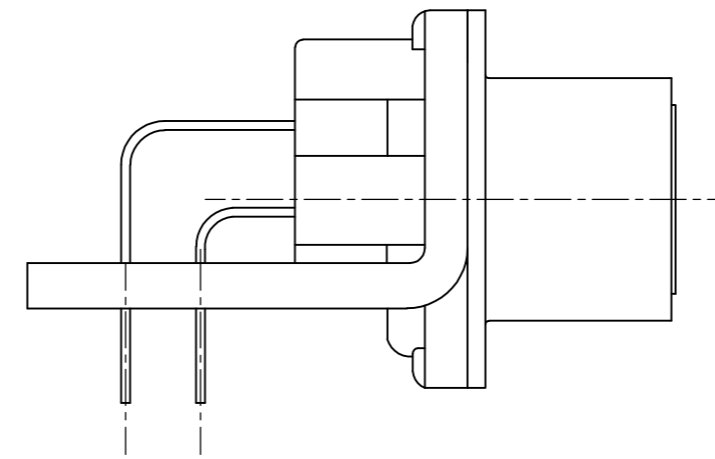
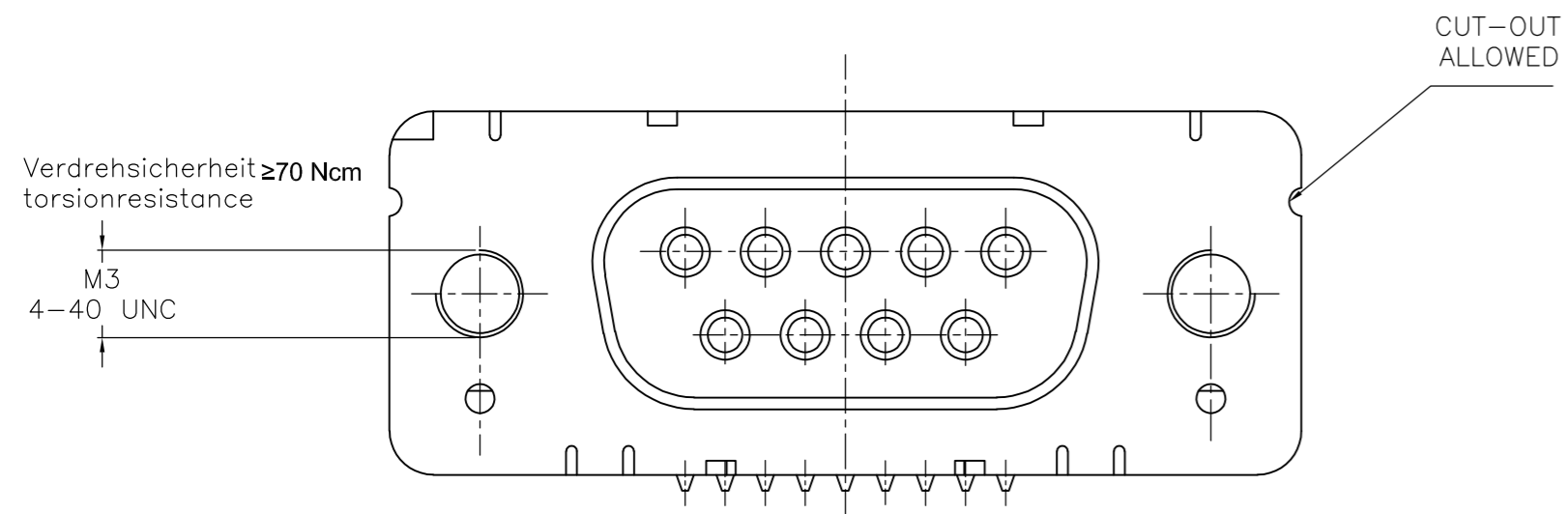
mit Gewindebolzen: M3 V23529-Bxx24-Bxxx-+
 with threadlock 4-40 UNC V23529-Bxx25-Bxxx-+



Leiterplattenbohrung
PCB hole pattern



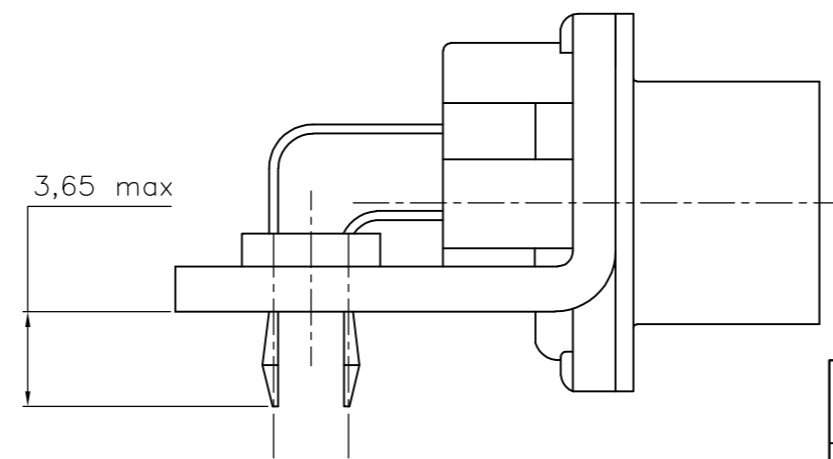
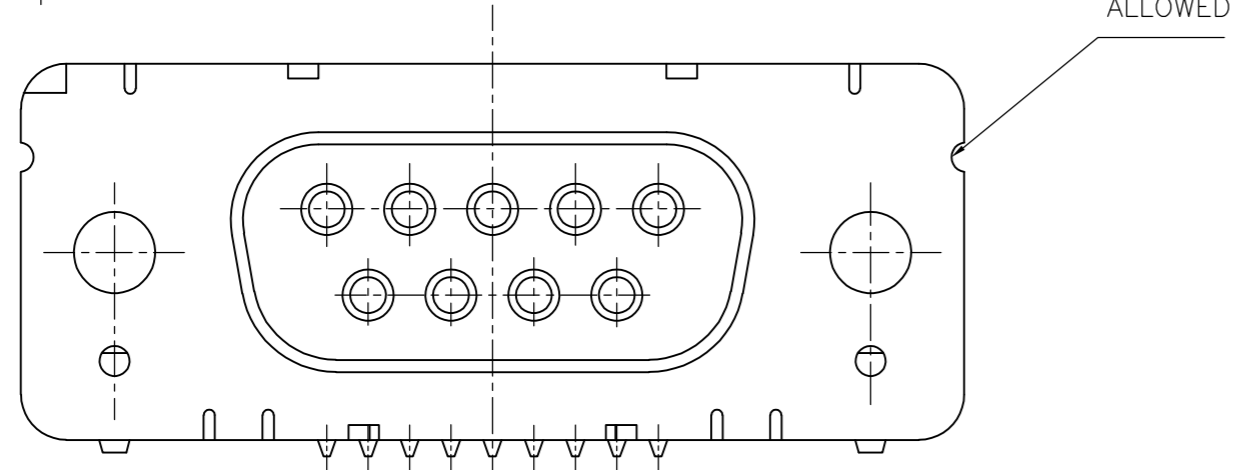
mit Gewinde : M3 V23529-Bxx22-Bxxx-+
 with thread 4-40 UNC V23529-Bxx23-Bxxx-+



Mass Dimension	Polzahl n Number of contacts n			
	9	15	25	37
C	25	33,3	47,04	63,5
H	10,96	19,18	33,12	49,68
K	8,22	16,44	30,36	46,92
X	2,74	2,74	2,76	2,76
Y	2,54			

1) nach DIN 41652.T.2 und T.4
 according to DIN 41652 T.2 AND T.4

mit clipbefestigung V23529-Bx22x-Bxxx-+
 with snap-in



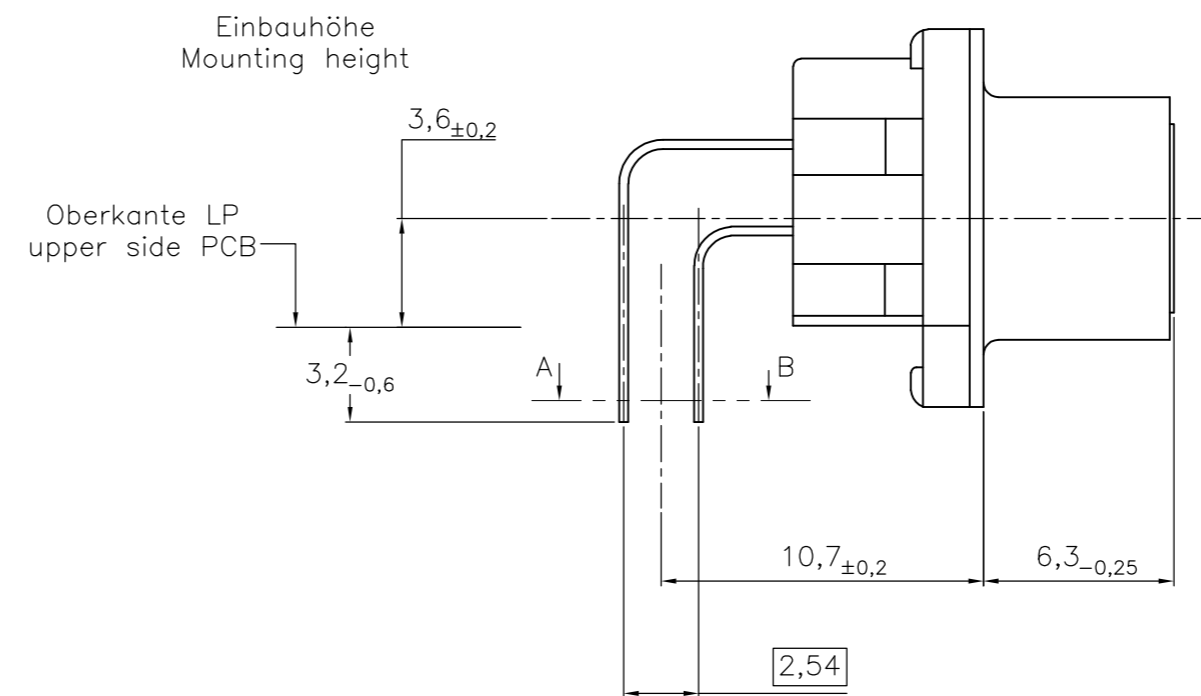
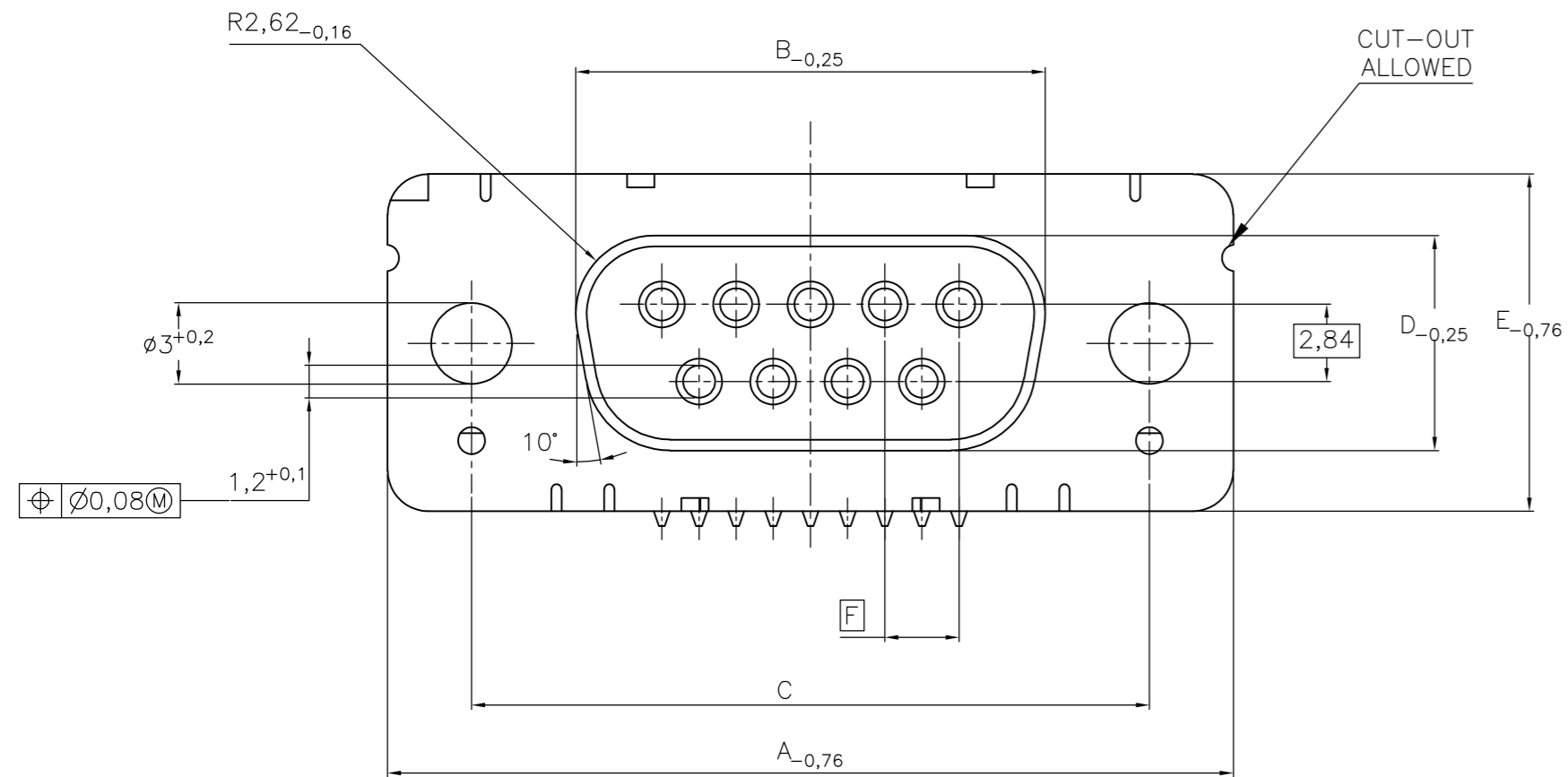
LP-Dicke $1,6 \pm 0,13 \text{ mm}$, Loch $\varnothing 3,1^{+0,2}$
 PC-board-thickness $1,6 \pm 0,13 \text{ mm}$, Hole $\varnothing 3,1^{+0,2}$

OLD PN: V23529-B****-B***-*-7427

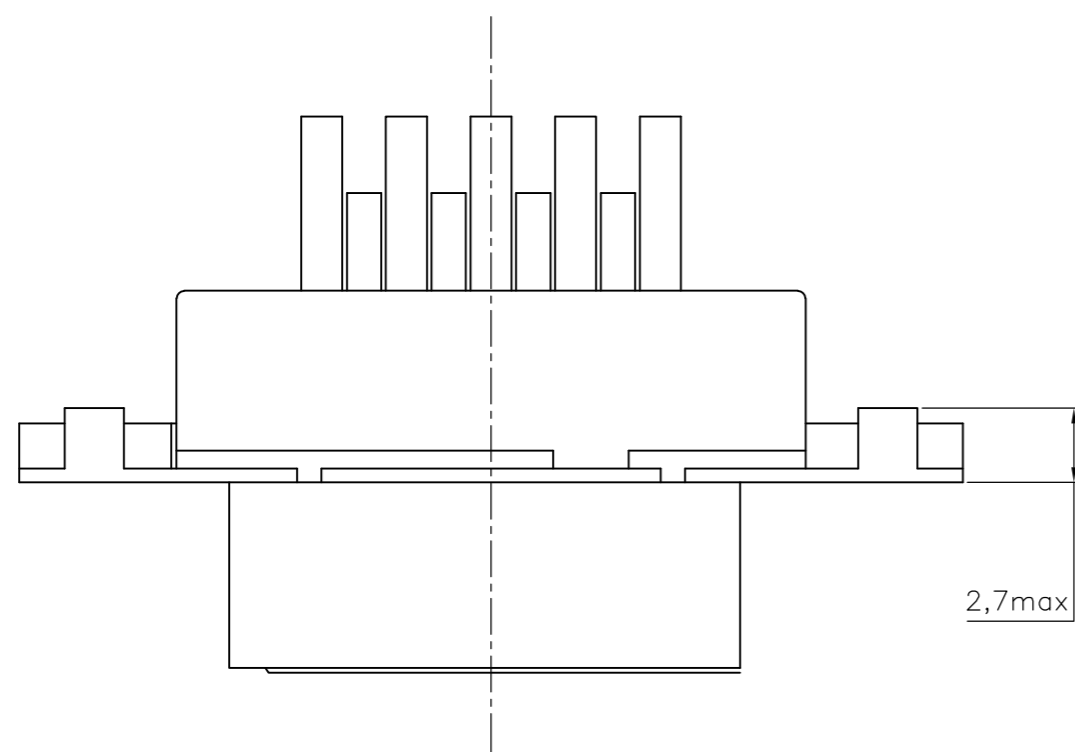
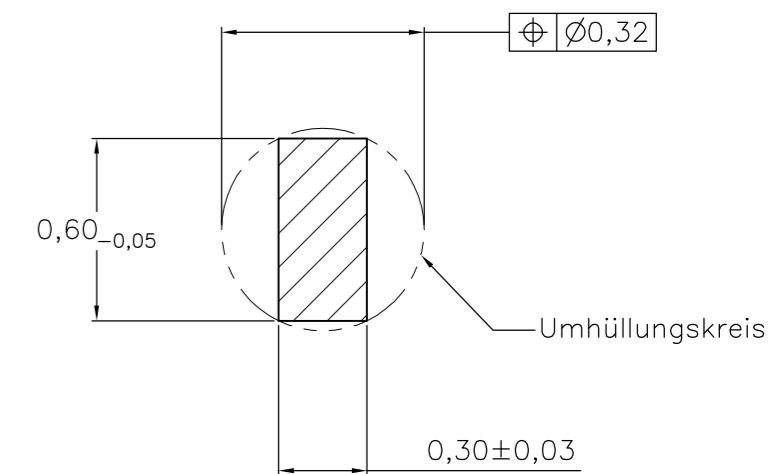
THIS DRAWING IS A CONTROLLED DOCUMENT.		DWN GNANI JADAV A E	07JAN10		TE Connectivity	
DIMENSIONS: mm		CHK K. MALCZYK	NAME		Buchsenleiste ¹⁾ Einbauhöhe 3,6 mm (Variante 1) Socketconnector-90° solderversion (Type1) ¹⁾	
TOLERANCES UNLESS OTHERWISE SPECIFIED:		APVD K. MALCZYK	PRODUCT SPEC		RESTRICTED TO	
MATERIAL		APPLICATION SPEC	WEIGHT		SIZE A2	CAGE CODE 00779
FINISH		CUSTOMER DRAWING		DRAWING NO C=1-1393480-7		SCALE 2:1
				SHEET 2 of 6		REV C

LOC		DIST		REVISIONS			
GP	00	P	LTR	DESCRIPTION	DATE	DWN	APVD
		-	-	SEE SHEET 1	-	-	-

Standardausführung ohne Winkel: V23529-B50x1-Bxxx-+
 Standardversion without bracket



Schnitt AB des Lötanschlusses
 Cross-section AB of solderpin
 (20:1)



Ordercode Sachnr	Contacts Polzahl	Mass/Dimension					
		A	B	C	D	E	F
..-Bx09-+	09	31,19	16,46	25,0 ^{+0,12} / _{-0,13}	8,02	12,93	2,74
..-Bx15-+	15	39,52	24,79	33,3 ^{+0,15} / _{-0,1}			2,74
..-Bx25-+	25	53,42	38,5	47,04 ^{+0,13} / _{-0,13}			2,76
..-Bx37-+	37	69,7	54,96	63,5 ^{+0,13} / _{-0,13}			2,76

Anforderungsstufe/Performance level ¹⁾

OLD PN: V23529-B****-B***-*-7427

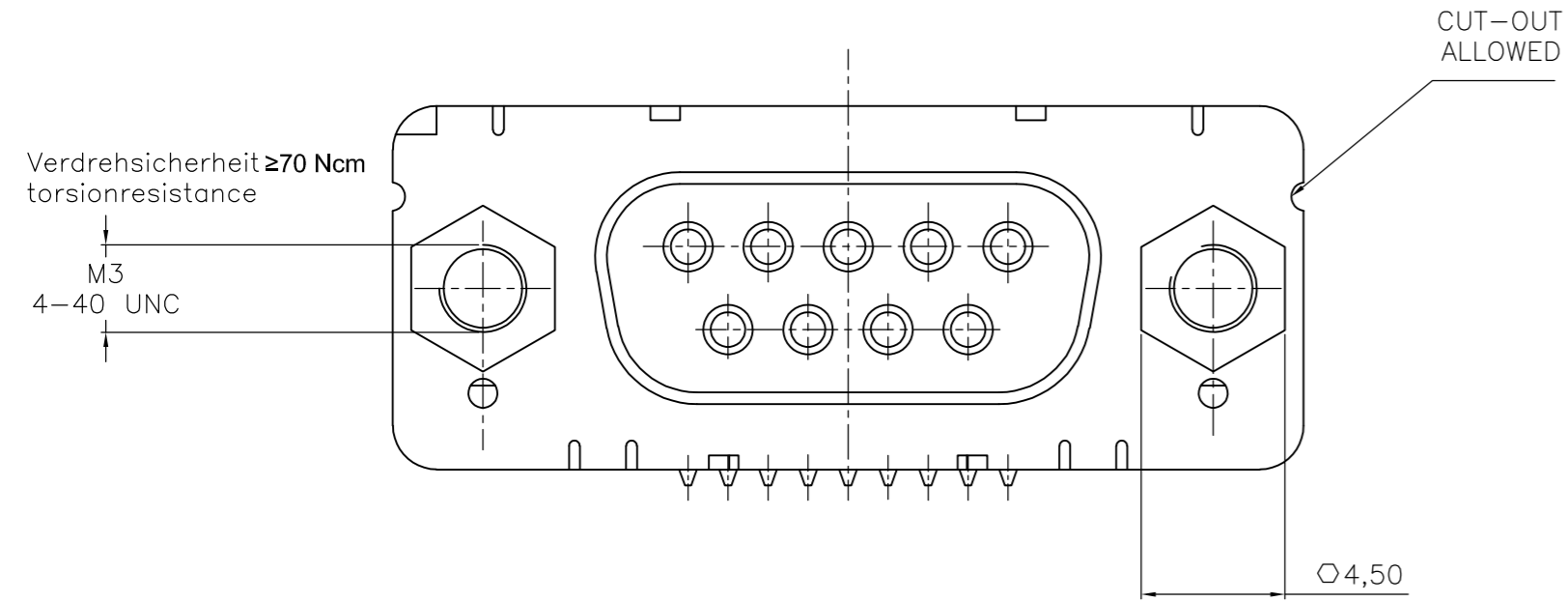
1) nach DIN 41652 T.2 und T.4
 according to DIN 41652 T.2 AND T.4

THIS DRAWING IS A CONTROLLED DOCUMENT.		DWN GNANI JADAV A E	07JAN10				
DIMENSIONS: mm		CHK K. MALCZYK	APVD K. MALCZYK				
TOLERANCES UNLESS OTHERWISE SPECIFIED:		PRODUCT SPEC		SIZE A2	CAGE CODE 00779	DRAWING NO C=1-1393480-7	RESTRICTED TO
MATERIAL		FINISH		WEIGHT	SCALE 2:1	SHEET 3 of 6	REV C
CUSTOMER DRAWING							

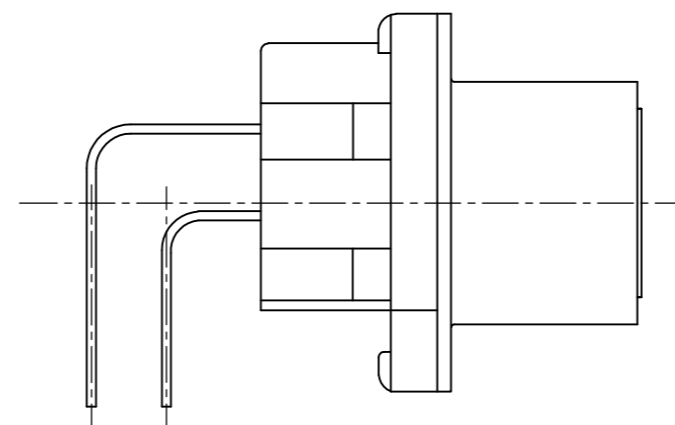
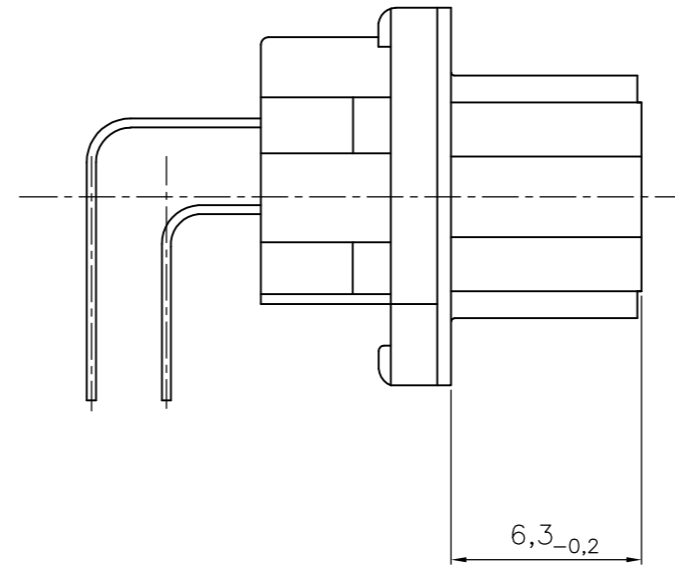
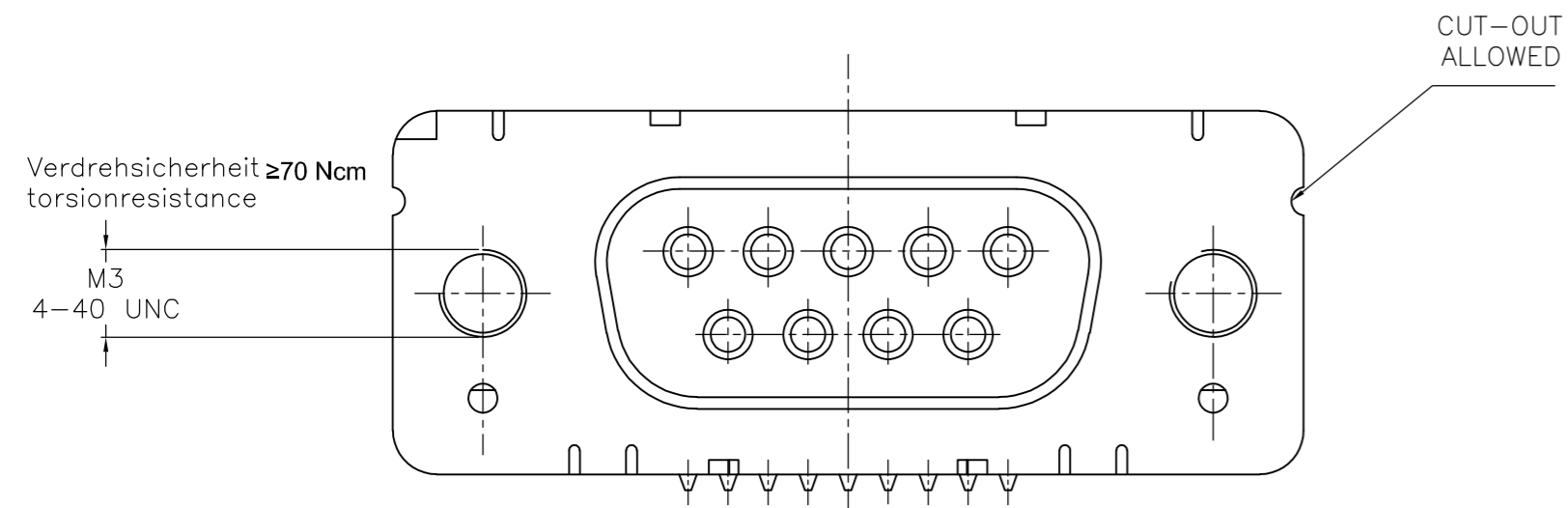
THIS DRAWING IS UNPUBLISHED. RELEASED FOR PUBLICATION
 © COPYRIGHT - By - ALL RIGHTS RESERVED.

LOC		DIST		REVISIONS			
P	LTR	DESCRIPTION	DATE	DWN	APVD		
GP	00	SEE SHEET 1	-	-	-		

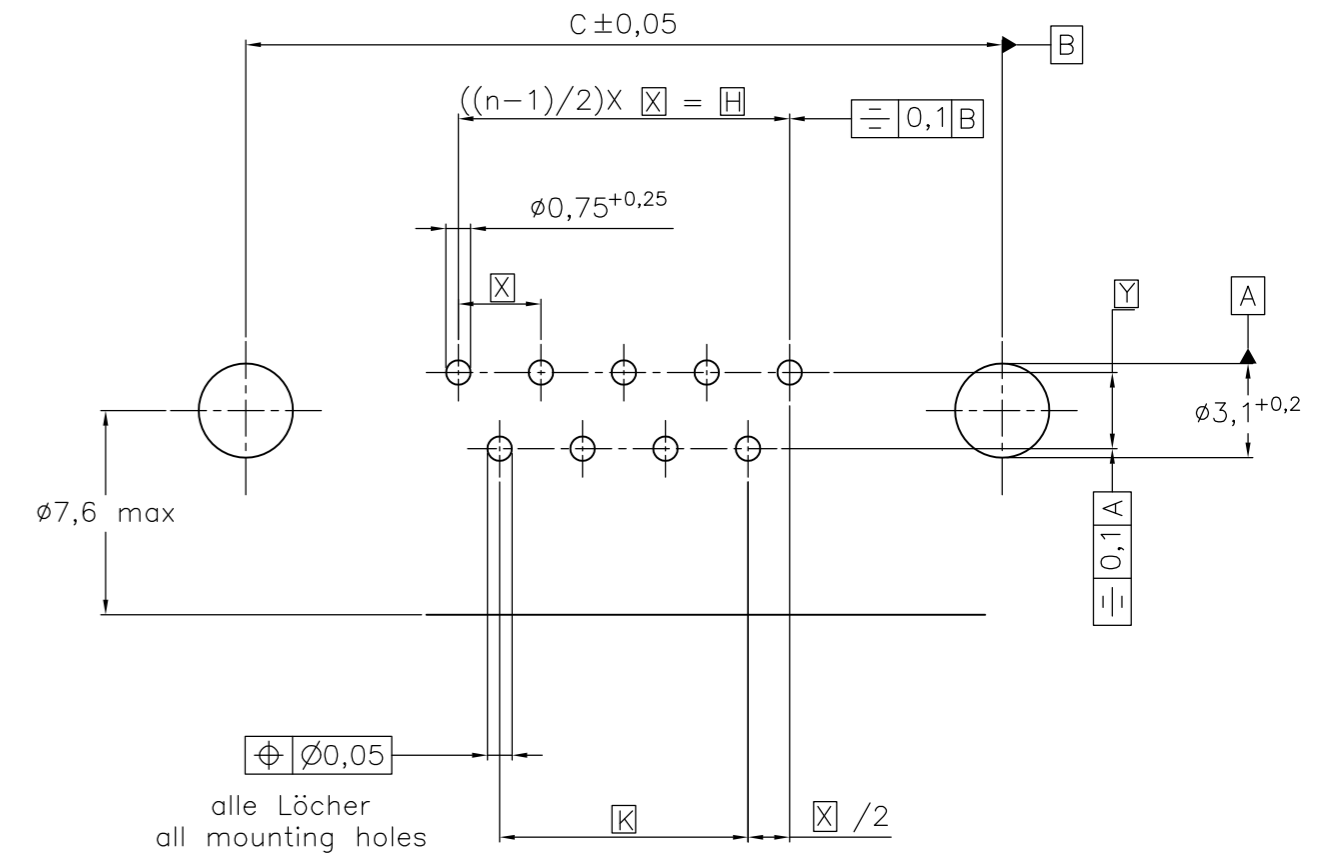
mit Gewindebolzen: M3 V23529-B50x4-Bxxx-+
 with threadlock 4-40 UNC V23529-B50x5-Bxxx-+



mit Gewinde : M3 V23529-B50x2-Bxxx-+
 with thread 4-40 UNC V23529-B50x3-Bxxx-+



Leiterplattenbohrung
 PCB hole pattern



Mass Dimension	Polzahl n Number of contacts n			
	9	15	25	37
C	25	33,3	47,04	63,5
H	10,96	19,18	33,12	49,68
K	8,22	16,44	30,36	46,92
X	2,74	2,74	2,76	2,76
Y	2,54			

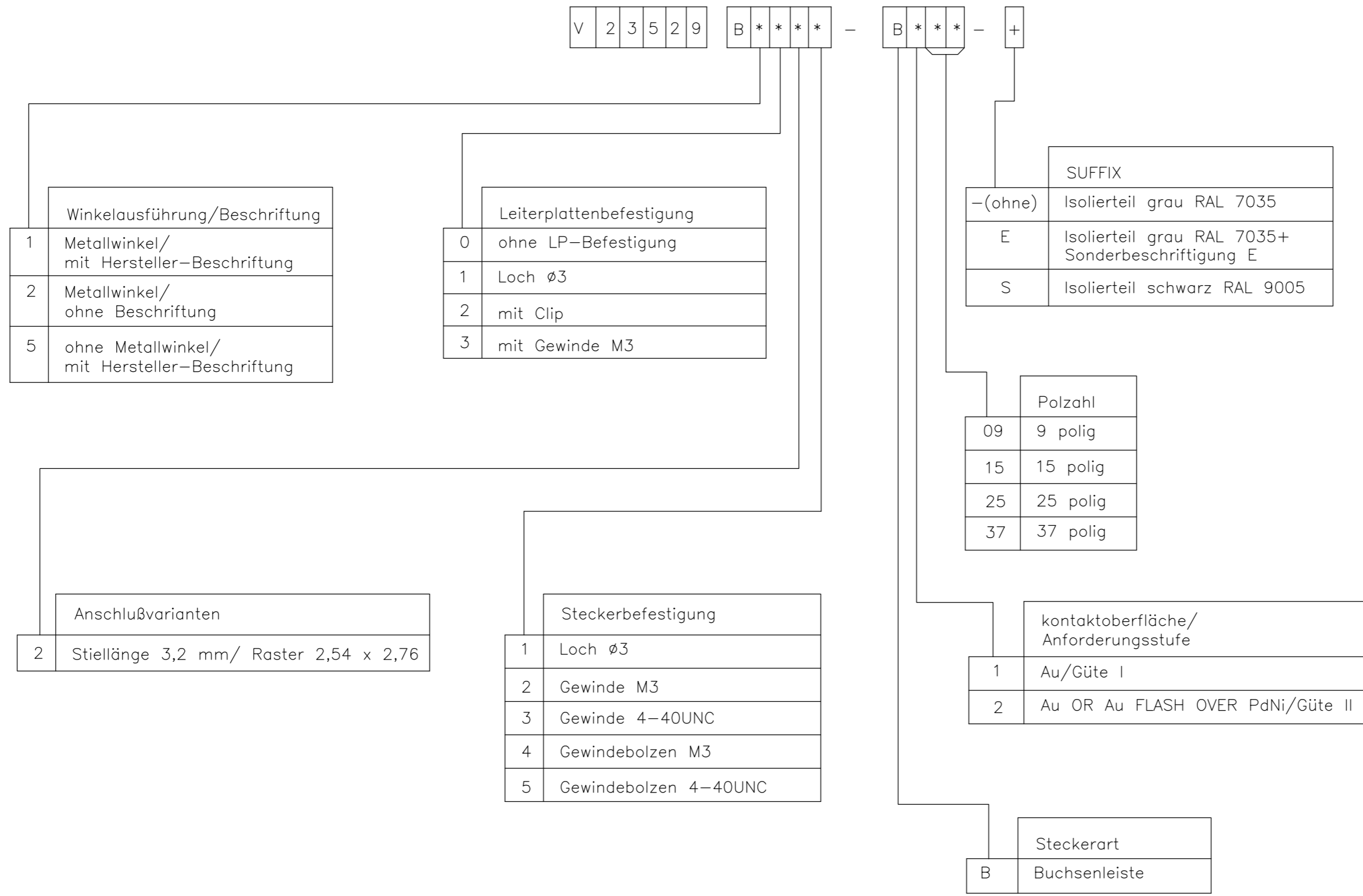
1) nach DIN 41652T.2 und T.4
 according to DIN 41652 T.2 AND T.4

OLD PN: V23529-B****-B***-*-7427

THIS DRAWING IS A CONTROLLED DOCUMENT.		DWN GNANI JADAV A E	07JAN10	TE TE Connectivity	
DIMENSIONS: mm		CHK K. MALCZYK	APVD K. MALCZYK		
TOLERANCES UNLESS OTHERWISE SPECIFIED:		PRODUCT SPEC		NAME Buchsenleiste Einbauhöhe 3,6 mm (Variante 1) Socketconnector-90° solderversion (Type1) ¹⁾	
MATERIAL		APPLICATION SPEC		SIZE A2	RESTRICTED TO
FINISH		WEIGHT		CAGE CODE 00779	DRAWING NO 1-1393480-7
		CUSTOMER DRAWING		SCALE 2:1	SHEET 4 of 6
				REV C	

THIS DRAWING IS UNPUBLISHED. RELEASED FOR PUBLICATION
 © COPYRIGHT - By - ALL RIGHTS RESERVED.

LOC		DIST		REVISIONS			
P	LTR	DESCRIPTION		DATE	DWN	APVD	
GP	00	-	-	SEE SHEET 1	-	-	



1) nach DIN 41652T.2 und T.4 according to DIN 41652 p.2 AND p.4

OLD PN: V23529-B*****-B***-*-7427

THIS DRAWING IS A CONTROLLED DOCUMENT.		DWN	GNANI JADAV A E	07JAN10	TE Connectivity	
DIMENSIONS: mm		CHK	K. MALCZYK	NAME		
TOLERANCES UNLESS OTHERWISE SPECIFIED:		APVD	K. MALCZYK	Buchsenleiste		
0 PLC ± -		PRODUCT SPEC	Einbauhöhe 3,6 mm (Variante 1) ¹⁾			
1 PLC ± -		APPLICATION SPEC	Socketconnector-90° solderversion (Type1) ¹⁾			
2 PLC ± -		WEIGHT	A2 00779		SCALE	2:1
3 PLC ± -		CUSTOMER DRAWING	C=1-1393480-7		SHEET	5 of 6
4 PLC ± -		FINISH	REV		REV	C
ANGLES ± -						
MATERIAL						

THIS DRAWING IS UNPUBLISHED. RELEASED FOR PUBLICATION
 © COPYRIGHT - By - ALL RIGHTS RESERVED.

LOC	DIST	REVISIONS			
P	LTR	DESCRIPTION	DATE	DWN	APVD
GP	00	SEE SHEET 1	-	-	-


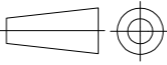
Active part numbers. Contact TE CONNECTIVITY for other configuration availability

Old Part Number	TE CONNECTIVITY Part Number	
V23529-B1121-B209	1-1393480-7	
V23529-B1121-B215	1-1393480-8	OBSOLETE
V23529-B1121-B225	1-1393480-9	
V23529-B1121-B237	2-1393480-0	OBSOLETE
V23529-B1122-B209	2-1393480-8	
V23529-B1122-B215	2-1393480-9	
V23529-B1122-B225	3-1393480-0	OBSOLETE
V23529-B1122-B237	3-1392010-8	
V23529-B1123-B109	3-1393480-4	
V23529-B1123-B209	3-1393480-6	
V23529-B1123-B215	3-1393480-7	
V23529-B1123-B225	3-1393480-8	OBSOLETE
V23529-B1123-B237	3-1393480-9	
V23529-B1125-B209	4-1393480-7	OBSOLETE
V23529-B1125-B215	4-1393480-8	OBSOLETE
V23529-B1125-B225	4-1393480-9	
V23529-B1125-B237	5-1393480-0	OBSOLETE
V23529-B1221-B209	5-1393480-5	
V23529-B1221-B215	5-1393480-6	
V23529-B1221-B225	5-1393480-7	OBSOLETE
V23529-B1222-B109	6-1393480-4	

Old Part Number	TE CONNECTIVITY Part Number	
V23529-B1222-B115	6-1393480-5	
V23529-B1222-B125	6-1393480-6	
V23529-B1222-B209	6-1393480-7	
V23529-B1222-B215	6-1393480-8	OBSOLETE
V23529-B1222-B225	6-1393480-9	OBSOLETE
V23529-B1222-B237	7-1393480-0	OBSOLETE
V23529-B1223-B109	7-1393480-8	
V23529-B1223-B115	7-1393480-9	
V23529-B1223-B125	8-1393480-0	
V23529-B1223-B209	8-1393480-1	
V23529-B1223-B215	8-1393480-2	OBSOLETE
V23529-B1223-B225	8-1393480-3	OBSOLETE
V23529-B1223-B237	8-1393480-4	OBSOLETE
V23529-B1224-B209	9-1393480-0	
V23529-B1224-B215	9-1393480-1	
V23529-B1224-B225	9-1393480-2	OBSOLETE
V23529-B1225-B209	9-1393480-9	
V23529-B1225-B215	1393481-1	OBSOLETE
V23529-B1225-B225	1393481-2	OBSOLETE
V23529-B1225-B237	3-1392010-7	OBSOLETE
V23529-B2221-B209	1-1393481-1	

1) nach DIN 41652 T.2 und T.4 according to DIN 41652 p.2 AND p.4

OLD PN: V23529-B****-B***-*-7427

THIS DRAWING IS A CONTROLLED DOCUMENT.		DWN 07JAN10 GNANI JADAV A E	 TE Connectivity	
DIMENSIONS: mm		CHK K. MALCZYK		
		APVD K. MALCZYK	NAME Buchsenleiste ¹⁾ Einbauhöhe 3,6 mm (Variante 1) Socketconnector-90° solderversion (Type1) ¹⁾	
TOLERANCES UNLESS OTHERWISE SPECIFIED:		PRODUCT SPEC	SIZE A2	RESTRICTED TO
0 PLC ± -		APPLICATION SPEC	CAGE CODE 00779	DRAWING NO C=1-1393480-7
1 PLC ± -		WEIGHT -	SCALE 2:1	SHEET 6 of 6
2 PLC ± -		CUSTOMER DRAWING	REV C	
3 PLC ± -				
4 PLC ± -				
ANGLES ± -				
MATERIAL -				
FINISH -				