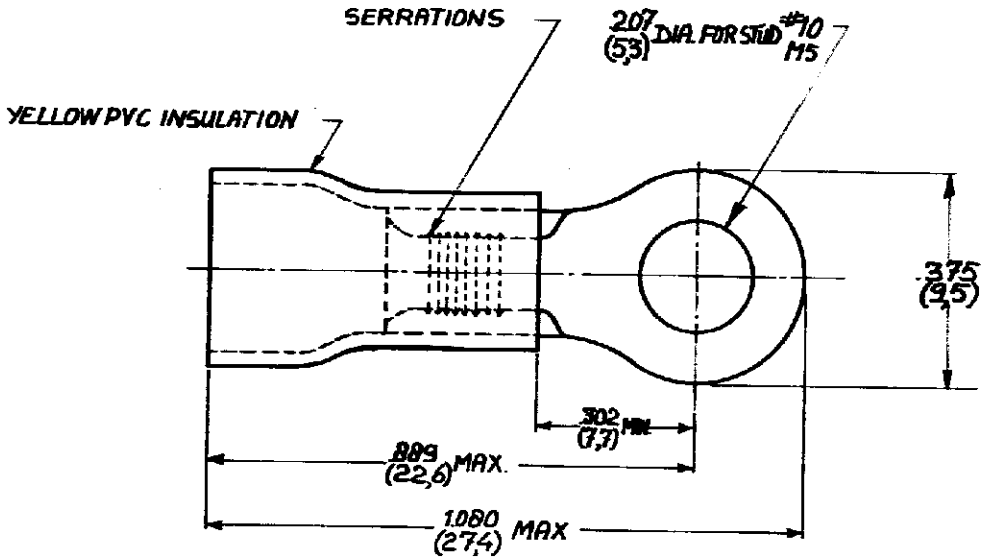


DRAWING MADE IN AMERICAN PROJECTION

NUMBER C-160292



TONGUE MATERIAL THICKNESS .040 (1.0)

CUSTOMER COPY FOR REFERENCE ONLY

©1971 BY AMP-HOLLAND N.V. ALL RIGHTS RESERVED A-MP PRODUCTS COVERED BY PATENTS AND/OR PATENTS PENDING.



AMP-HOLLAND N.V.
1-HERTOGENBOSCH
HOLLAND

2-160292-1	160292 MOUNTED ON TRIP	
160292	COPPER	TIN
ORDER NO.	MATERIAL	PLATING
DATE	DATE	DATE
DATE	DATE	DATE

WIRE RANGE 12-18 AWG 2.7-6.6 mm	INSUL. RANGE 750-250 (3.0-6.4) DIA.	FIRST USED
SCALE 4:1	LOC H	SIZE A
NO C-160292	REV O	NAME P.G. RINGTONGUE

DIMENSIONS IN () ARE DO NOT SCALE PRINT