

THIS DRAWING IS UNPUBLISHED.

RELEASED FOR PUBLICATION

© COPYRIGHT - By -

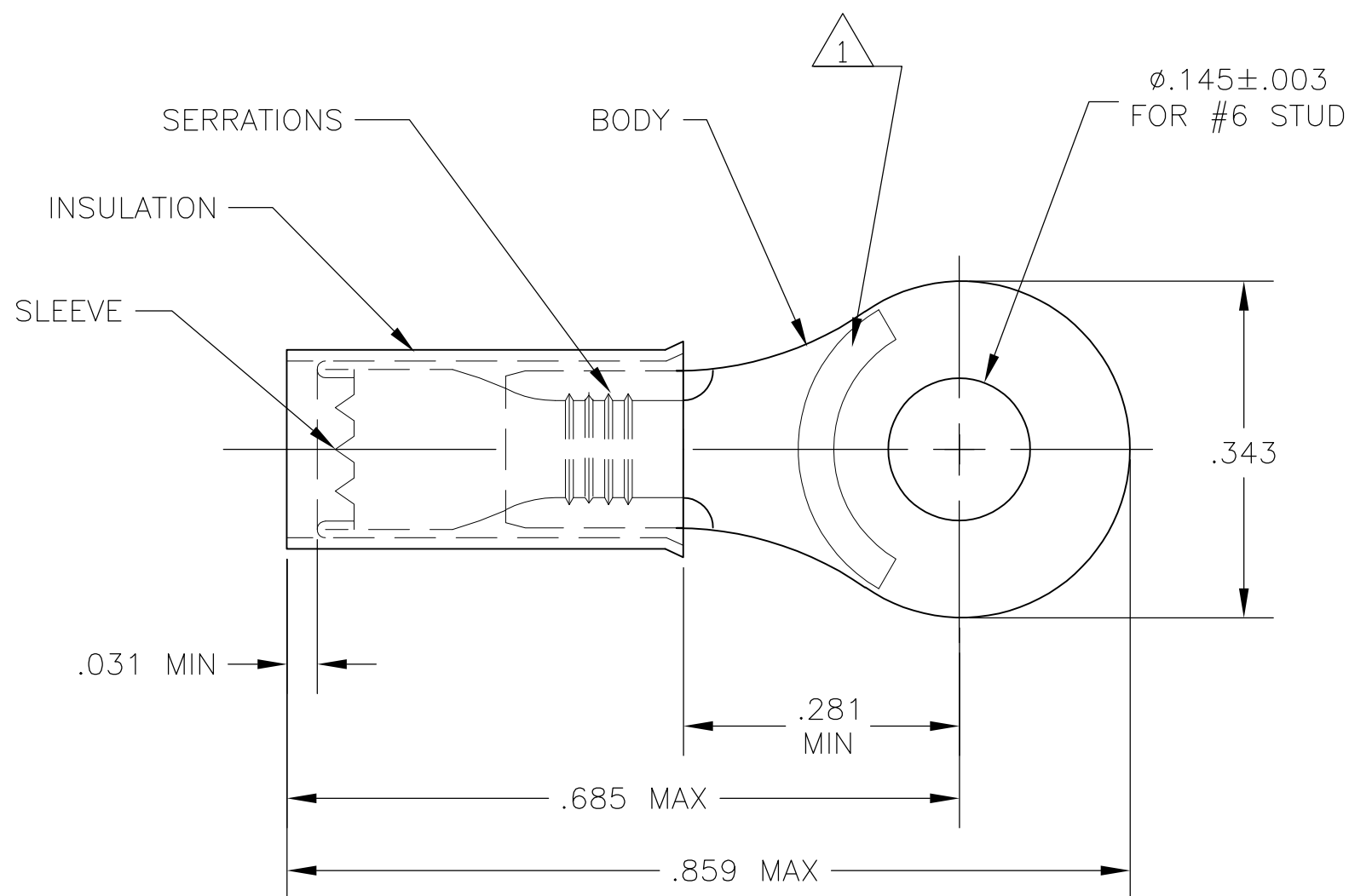
ALL RIGHTS RESERVED.

LOC  
G

DIST  
14


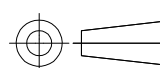
REVISIONS

P	LTR	DESCRIPTION	DATE	DWN	APVD
	E2	REVISED PER ECO-11-004917	11MAR11	RK	HMR



- 1 STAMP MAY BE ON TOP OR BOTTOM
- 2 FOR .115 TO .170 WIRE INSULATION DIA.
- 3 MATERIAL TONGUE THK IS .031±.002

QTY	DESCRIPTION	MATERIAL	PART NO
100	LOOSE PIECE, BOX	INSULATION: NYLON, COLOR BLUE	8-36158-1
1	36158 ON TAPE	SLEEVE: COPPER PER ASTM B152 TIN PLATE PER ASTM B545	2-36158-1
1	WIRE TERMINAL	BODY: COPPER PER ASTM B152 TIN PLATE PER ASTM B545	36158

THIS DRAWING IS A CONTROLLED DOCUMENT.		DWN jr_ruth 17MAR09	 <b>TE Connectivity</b>  NAME TERMINAL, PIDG RING TONGUE, WIRE SIZE 16-14 AWG				
DIMENSIONS: INCHES		CHK TOM MICHIELUTTI 17MAR09				APVD TOM MICHIELUTTI 17MAR09	RESTRICTED TO
		TOLERANCES UNLESS OTHERWISE SPECIFIED: 0 PLC ± - 1 PLC ± - 2 PLC ± - 3 PLC ± .008 4 PLC ± - ANGLES ± 5°				SIZE A3	
MATERIAL SEE TABLE		FINISH SEE TABLE				CAGE CODE 00779	
		PRODUCT SPEC -		DRAWING NO C-36158			
		APPLICATION SPEC -		SCALE 8:1			
		WEIGHT -		SHEET 1 OF 1			
		CUSTOMER DRAWING		REV E2			