

.050" (1,27mm) CABLE STRIPS FFSD SERIES

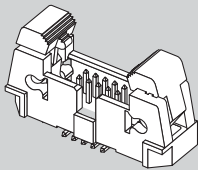
Mates with:
FTS, FTSH, EHF

SPECIFICATIONS

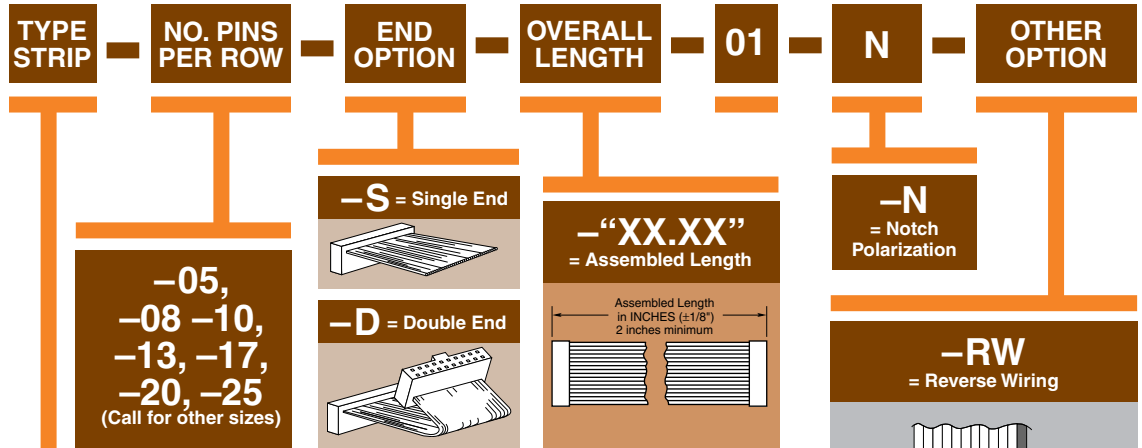
For complete specifications see www.samtec.com?FFSD

- Insulator Material:** PBT
- Contact:** BeCu
- Plating:** 10µ" (0,25µm) Au over 50µ" (1,27µm) Ni on contact area; Sn over 50µ" (1,27µm) Ni on balance
- Wire:** 30 AWG
- Current Rating:** 0.5A
- Operating Temp Range:** -40°C to +105°C
- Lead Size Accepted:** (0,41mm) .016" SQ
- Contact Resistance:** 10 mΩ maximum
- Insertion Depth:** (2,64mm) .104" to (3,17mm) .125"
- Insertion Force:** (Single contact only) 5oz (1,39N) avg.
- Withdrawal Force:** (Single contact only) 3oz (0,83N) avg.
- RoHS Compliant:** Yes

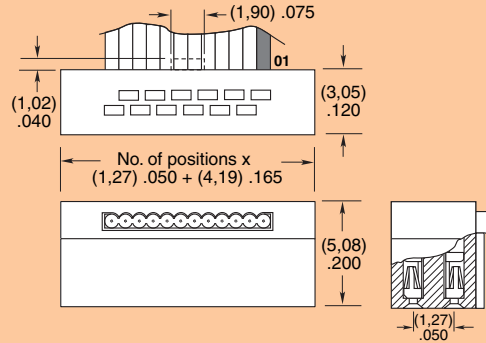
EJECTOR HEADER



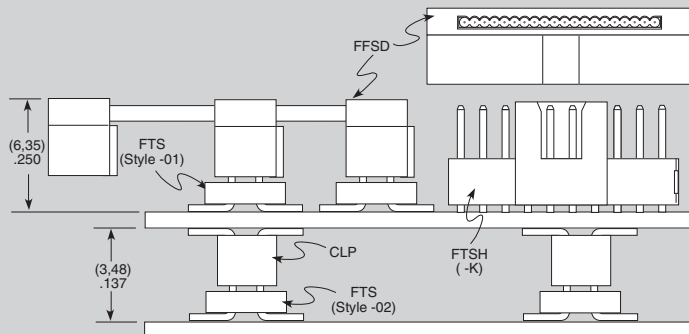
See EHF Series.



FFSD = Socket Strip



APPLICATIONS



Note: This Series is non-standard, non-returnable.

Due to technical progress, all designs, specifications and components are subject to change without notice.

WWW.SAMTEC.COM