

RLY9154

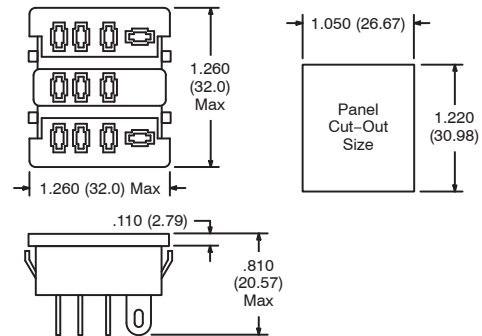
11-Pin Blade Socket

Features

- Panel Mount
- Solder Terminals
- Accepts .187" Blade Terminals
- 3PDT Applications

Electrical Rating:

300 Volts, 10 Amps



RLY9155

11-Pin Blade Socket

Features

- PC Board Mount
- Solder Terminals
- Accepts .187" Blade Terminals
- 3PDT Applications

Electrical Rating:

300 Volts, 10 Amps

