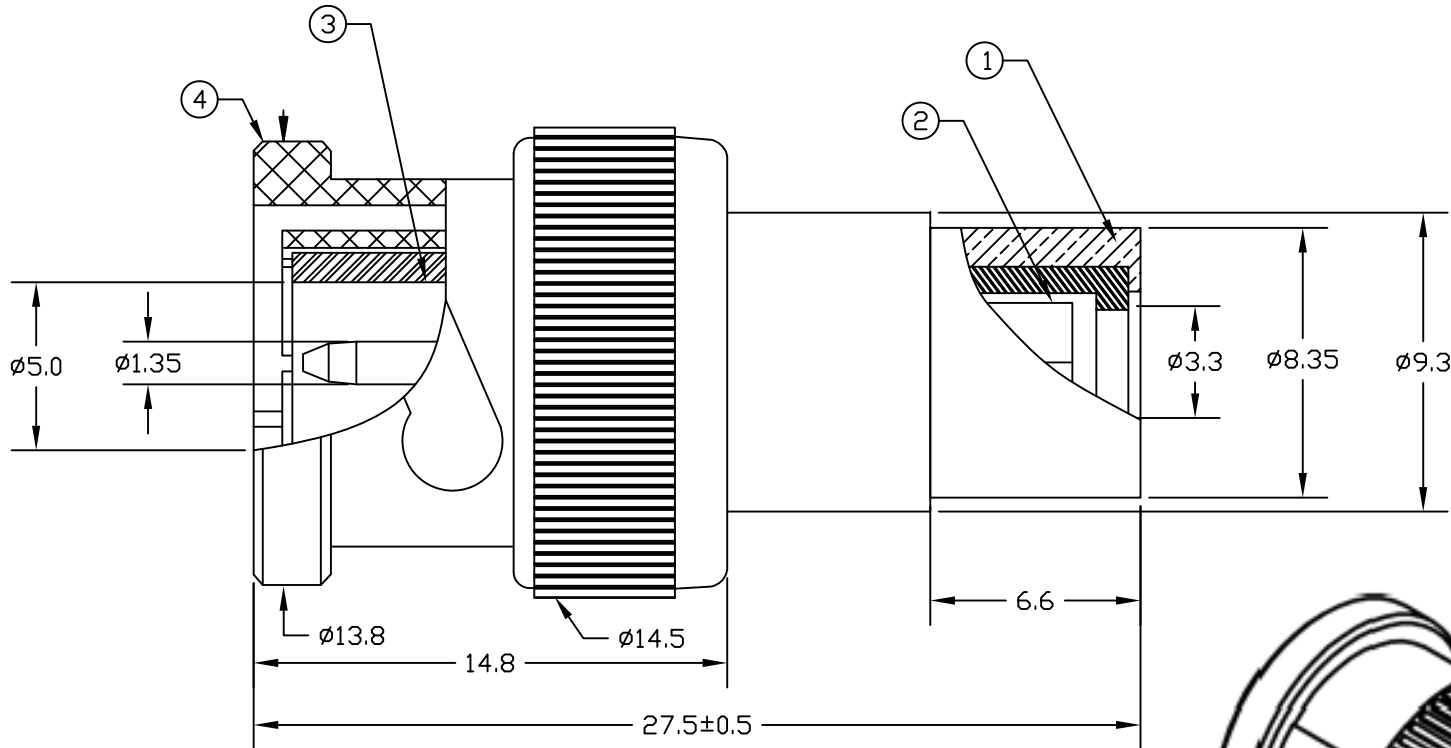


REVISIONS

DCP #	REV	DESCRIPTION	DRAWN	DATE	CHECKD	DATE	APPRVD	DATE
1936	A	Released	JN	10/21/09	JWM	10/21/09	JWM	10/21/09



NO.	ITEM	MATERIAL
1	BODY	BRAS, NICKEL PLATED
2	CONTACT	BRAS, NICKEL PLATED
3	INSULATOR	DELTRIN
4	NUT	ZINC, NICKEL PLATED

DISCLAIMER:
ALL STATEMENTS AND TECHNICAL INFORMATION CONTAINED HEREIN ARE BASED UPON INFORMATION AND/OR TESTS WE BELIEVE TO BE ACCURATE AND RELIABLE. SINCE CONDITIONS OF USE ARE BEYOND OUR CONTROL, THE USER SHALL DETERMINE THE SUITABILITY OF THE PRODUCT FOR THE INTENDED USE AND ASSUME ALL RISK AND LIABILITY WHATSOEVER IN CONNECTION THEREWITH.

TOLERANCES:
UNLESS OTHERWISE SPECIFIED, DIMENSIONS ARE FOR REFERENCE PURPOSES ONLY.

DRAWN BY:	DATE:
Jason Nash	10/21/09
CHECKED BY:	DATE:
Jeff McVicker	10/21/09
APPROVED BY:	DATE:
Jeff McVicker	10/21/09

DRAWING TITLE: Adapter, BNC Male			
SIZE A	DWG. NO. 25-7510	ELECTRONIC FILE 66K8034.dwg	REV A
SCALE: NTS	U.O.M.: Millimeters	SHEET: 1 OF 1	