



ALL RIGHTS RESERVED. NO PORTION OF THIS PUBLICATION, WHETHER IN WHOLE OR IN PART CAN BE REPRODUCED WITHOUT THE EXPRESS WRITTEN CONSENT OF SPC TECHNOLOGY.

SPC-F005.DWG

REVISIONS

DOC. NO. SPC-F005 * Effective: 7/8/02 * DCP No: 1398

DCP #	REV	DESCRIPTION	DRAWN	DATE	CHECKD	DATE	APPRVD	DATE
1878	A	RELEASED	EO	8/22/06	JWM	8/22/06	HO	8/22/06

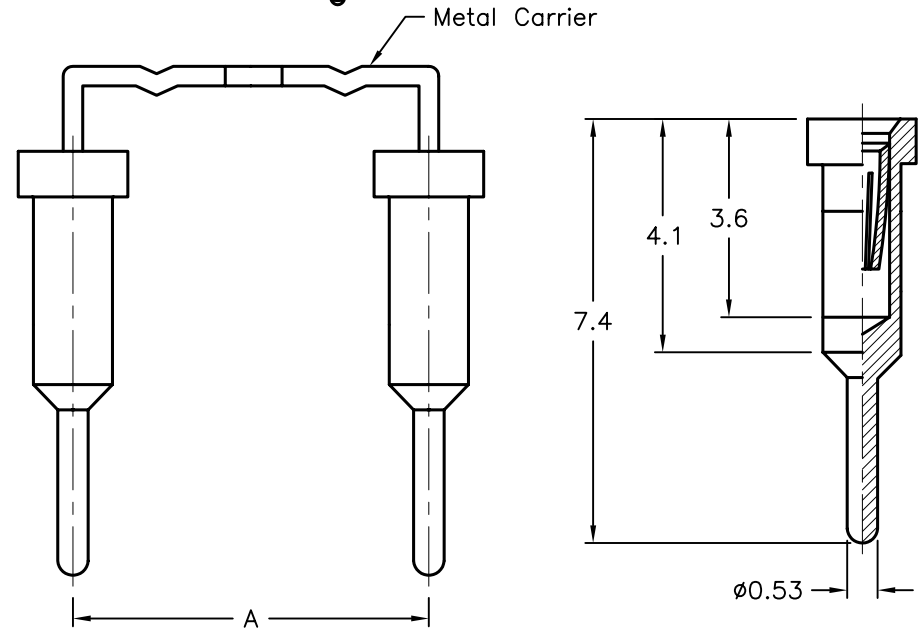
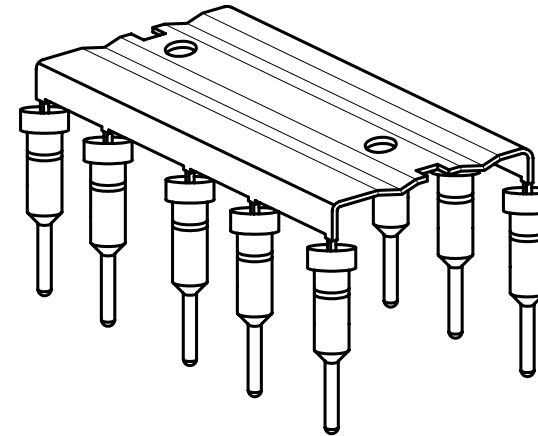


SPECIFICATIONS:

1. Current: 3A
2. Voltage: 100V RMS / 150 VDC
3. Contact Resistance: 40 milliohms Max.

MATERIAL:

1. Sleeve: Turned Brass, Flash copper, nickel 2~3µm, Gold 5µm.
2. Clip: Beryllium-copper, nickel 2~3µm, Gold 0.25µm
3. Insertion Depth: 2.4 Millimeters min. ~ 3.9 Millimeters max.
4. Insertion Diameter: 0.40 Millimeters min. ~ 0.56 Millimeters max.
5. Mechanical Life: 100 Cycles
6. Temperature Range: -40°C ~ +105°C, 260°C for 10 sec.



SPC TYPE NO.	POSITION	A
SPC15506	8	7.62
SPC15507	14	
SPC15508	16	15.24
SPC15509	24	
SPC15510	40	

DISCLAIMER: ALL STATEMENTS AND TECHNICAL INFORMATION CONTAINED HEREIN ARE BASED UPON INFORMATION AND/OR TESTS WE BELIEVE TO BE ACCURATE AND RELIABLE. SINCE CONDITIONS OF USE ARE BEYOND OUR CONTROL, THE USER SHALL DETERMINE THE SUITABILITY OF THE PRODUCT FOR THE INTENDED USE AND ASSUME ALL RISK AND LIABILITY WHATSOEVER IN CONNECTION THEREWITH.

TOLERANCES: UNLESS OTHERWISE SPECIFIED, DIMENSIONS ARE FOR REFERENCE PURPOSES ONLY.

DRAWN BY:	DATE:
EKLAS ODISH	8/22/06
CHECKED BY:	DATE:
JEFF MCVICKER	8/22/06
APPROVED BY:	DATE:
HISHAM ODISH	8/22/06

DRAWING TITLE: Socket Pin Terminal, Disposable Carrier, Gold /Gold			
SIZE	DWG. NO.	ELECTRONIC FILE	REV
A	TA-782	TA-782.DWG	A
SCALE: NTS		U.O.M.: Millimeters	SHEET: 1 OF 1