

CABLE ATTACHMENT:

CENTER CONDUCTOR (CABLE)----SOLDER
 OUTER CONDUCTOR -----CRIMP (HEX.: 6,48)
 ASSEMBLY INSTRUCTION -----AS-73597-0010

CONSTRUCTION:

COUPLING NUT-----ZINC ALLOY
 CONNECTOR BODY-----BRASS
 DIELECTRIC-----TEFLON
 CENTER CONTACT-----BRASS
 FERRULE-----BRASS
 RETAINING RING -----BERYLLIUM COPPER
 SPRING WASHER-----PHOSPHOR BRONZE
 WASHER-----BRASS
 GASKET-----SILICONE RUBBER
 COVER-----BRASS

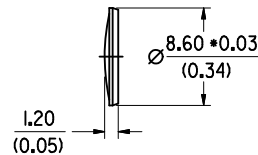
FINISH :

COUPLING NUT-----NICKEL PLATING
 CONNECTOR BODY-----NICKEL PLATING
 CENTER CONTACT-----GOLD PLATING
 FERRULE-----NICKEL PLATING
 COVER-----NICKEL PLATING

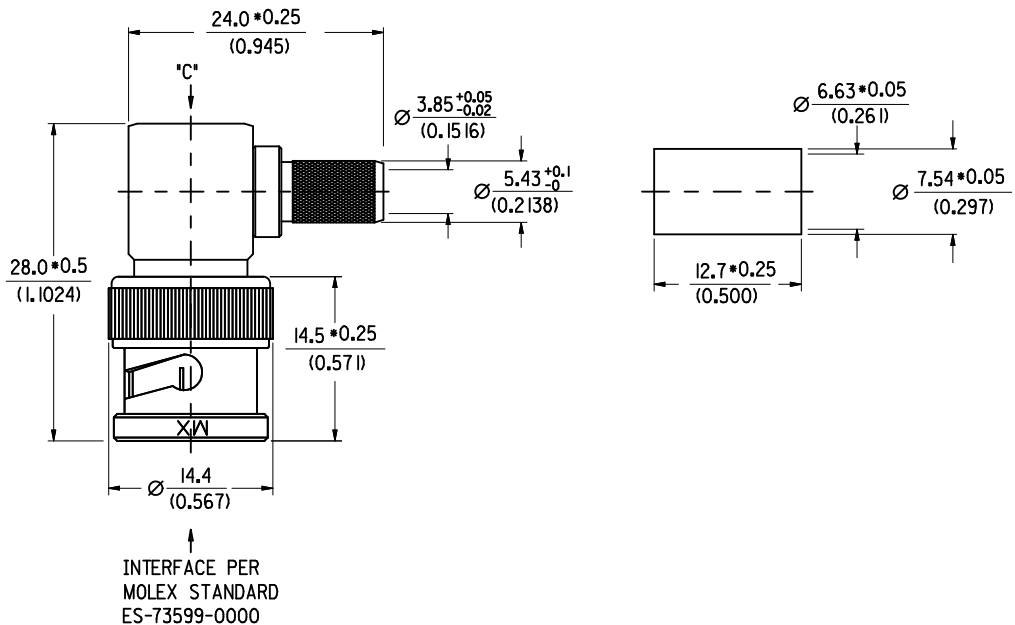
MECHANICAL & ELECTRICAL CHARACTERISTICS:
 PER PRODUCT SPECIFICATION PS-73598-0009

MATERIAL & FINISHES:
 PER PRODUCT SPECIFICATION PS-73598-0009

PACKAGING:
 INDIVIDUAL PLASTIC BAGS.



THIS PART IS TO BE
 PRESS FIT INTO PLACE "C"



PART NO.: 73171-4220	SINGLE PC 73100-0016 PER BAG
PART NO.: 73100-0016	STANDARD

CHG: REDREW IN ME10 ADDED 73171-4220 FOR SINGLE PC PER BAG. EC NO: URF2011-0569 DRWN: ARBERTSON 2011/03/30 CHKD: SSS 2011/03/30 APPR: JWENER 2011/03/31 A1	QUALITY SYMBOLS ▽ = 0 ▽ = 0	GENERAL TOLERANCES (UNLESS SPECIFIED)		DIMENSION STYLE MM/IN		SCALE ---	DESIGN UNITS INCH	THIRD ANGLE PROJECTION	
		4 PLACES	± ---	± ---	DRAWN BY AZR	DATE 2011/03/30	TITLE BNC PLUG RA FOR RG59 75 OHM BNC-PC		
		3 PLACES	± ---	± ---	CHECKED BY SSS	DATE 2011/03/30			
		2 PLACES	± ---	± ---	APPROVED BY JWENER	DATE 2011/03/31	MOLEX INCORPORATED DOCUMENT NO. SD-73100-0016		
1 PLACE	± ---	± ---	MATERIAL NO. SEE TABLE		SHEET NO. 1 OF 1				
DRAFT WHERE APPLICABLE MUST REMAIN WITHIN DIMENSIONS				THIS DRAWING CONTAINS INFORMATION THAT IS PROPRIETARY TO MOLEX INCORPORATED AND SHOULD NOT BE USED WITHOUT WRITTEN PERMISSION					

MATERIALS AND FINISHES


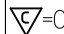
SEE SD-73100-0016

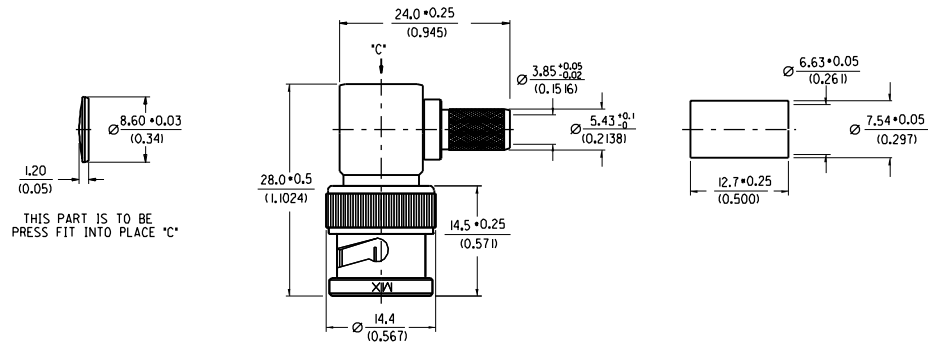
P/N: 73171-4220:

1 PIECE 73100-0016 PLACED IN A SINGLE BAG

73171-4220	ONE PC 73100-0016 PER BAG
73100-0016	STANDARD
PART NO.	PACKAGING

PS-89675-3460	PRODUCT SPECIFICATION
SPECIFICATION	DESCRIPTION

CHG: ADD SINGLE BAG VERSION PS WAS 73598-0111 EC NO: URF2011-0569 DRWN: AROBERTSON 2011/03/30 CHKD: SSS 2011/03/30 APPR: JWIENER 2011/03/31	QUALITY SYMBOLS  =0  =0	DESCRIPTION A	GENERAL TOLERANCES (UNLESS SPECIFIED)		DIMENSION STYLE MM/IN		SCALE INCH	DESIGN UNITS INCH	THIRD ANGLE PROJECTION				
			4 PLACES ± --- ± --- 3 PLACES ± --- ± --- 2 PLACES ± --- ± --- 1 PLACE ± --- ± ---	mm INCH ± --- ± --- ± --- ± --- ± --- ± ---	DRAWN BY DATE AROBERTSON 2011/03/30		TITLE BNC PLUG RA FOR RG59 75 OHM BNC-PC		CHECKED BY DATE SSS 2011/03/30		APPROVED BY DATE JWIENER 2011/03/31		MOLEX INCORPORATED
			ANGULAR ± 2 °		MATERIAL NO. SEE TABLE		DOCUMENT NO. SD-73171-422		SHEET NO. 1 OF 1				
			DRAFT WHERE APPLICABLE MUST REMAIN WITHIN DIMENSIONS					SIZE C		THIS DRAWING CONTAINS INFORMATION THAT IS PROPRIETARY TO MOLEX INCORPORATED AND SHOULD NOT BE USED WITHOUT WRITTEN PERMISSION			



CABLE ATTACHMENT:

CENTER CONDUCTOR (CABLE)-----SOLDER
 OUTER CONDUCTOR -----CRIMP (HEX.± 6.48)
 ASSEMBLY INSTRUCTION -----AS-73597-0010

CONSTRUCTION:

COUPLING NUT-----ZINC ALLOY
 CONNECTOR BODY-----BRASS
 DIELECTRIC-----TEFLON
 CENTER CONTACT-----BRASS
 FERRULE-----BRASS
 RETAINING RING -----BERYLLIUM COPPER
 SPRING WASHER-----PHOSPHOR BRONZE
 WASHER-----BRASS
 GASKET-----SILICONE RUBBER
 COVER-----BRASS

FINISH :

COUPLING NUT-----NICKEL PLATING
 CONNECTOR BODY-----NICKEL PLATING
 CENTER CONTACT-----GOLD PLATING
 FERRULE-----NICKEL PLATING
 COVER-----NICKEL PLATING

MECHANICAL & ELECTRICAL CHARACTERISTICS:

PER PRODUCT SPECIFICATION PS-73598-0009

MATERIAL & FINISHES:

PER PRODUCT SPECIFICATION PS-73598-0009

PACKAGING:

INDIVIDUAL PLASTIC BAGS.

SEE NOTE

SEE NOTE

2.5(1) UNIT:mm 10(4)

[Signature]
 93/03/18

SDA-73100-0016 A
 BNC R/A CUBE PLUG
 RC598/U,RC62A/U,
 SOLDER/CRIMP

YES NO