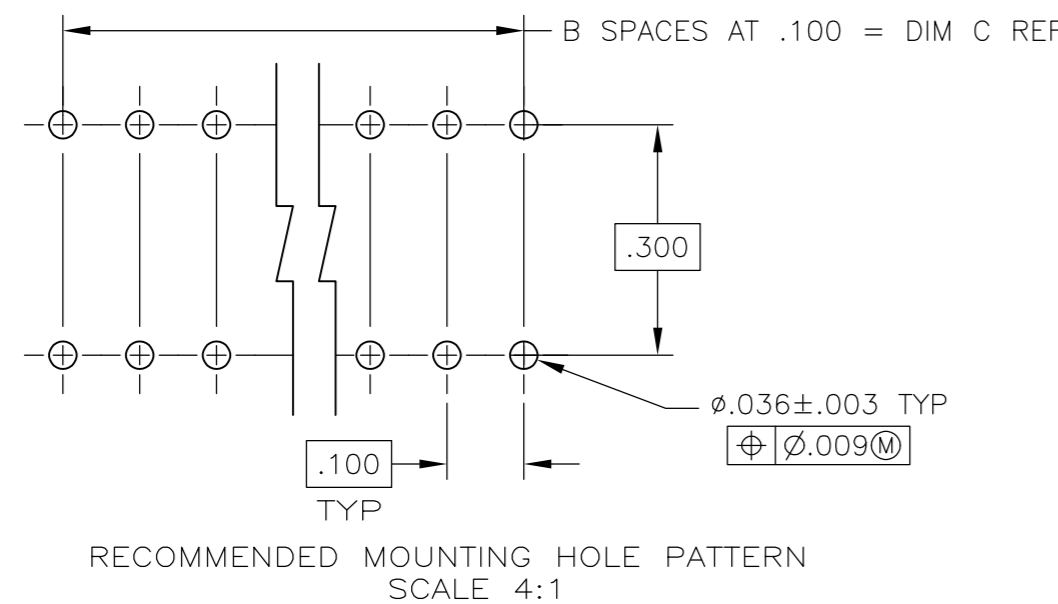
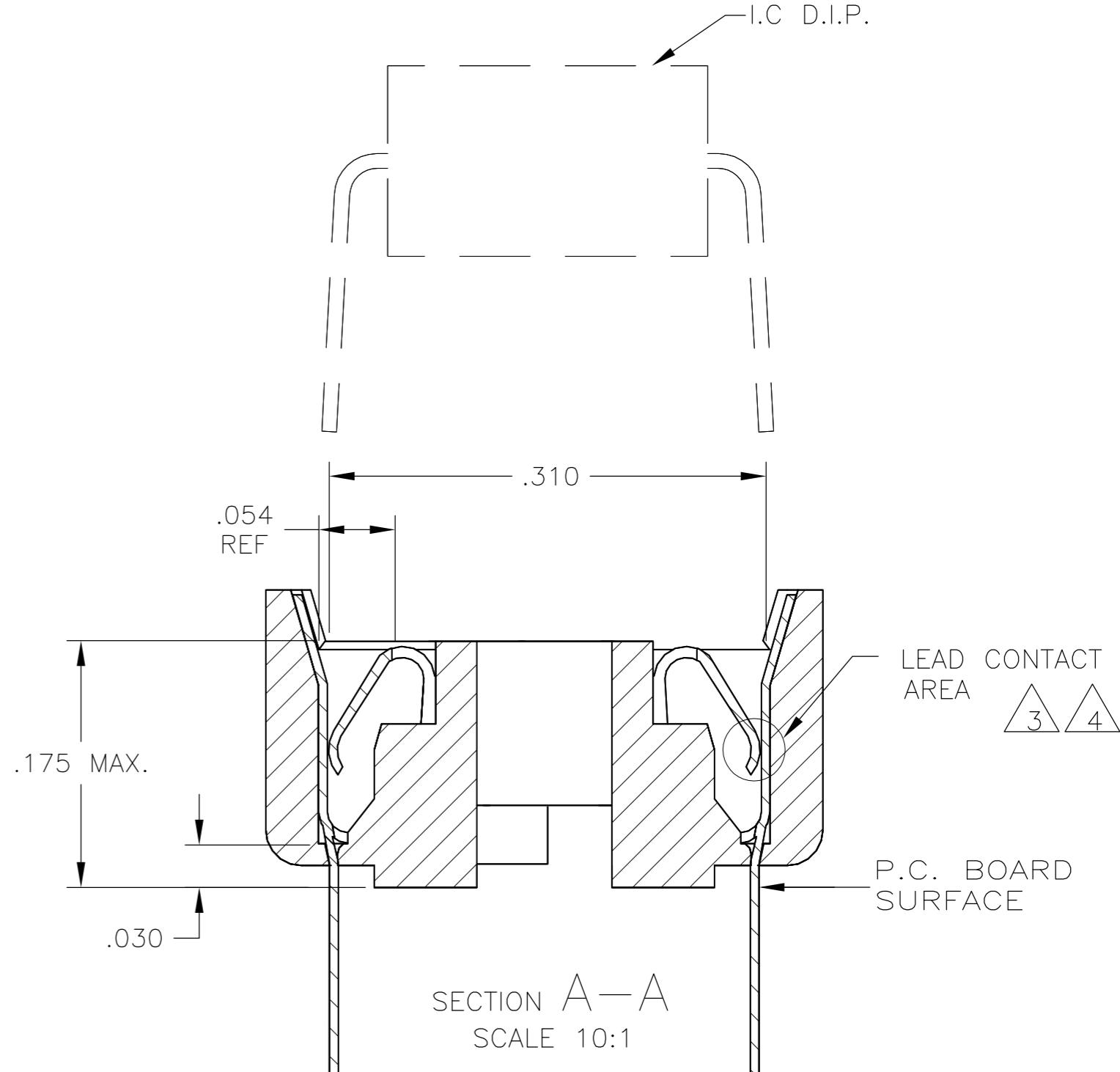
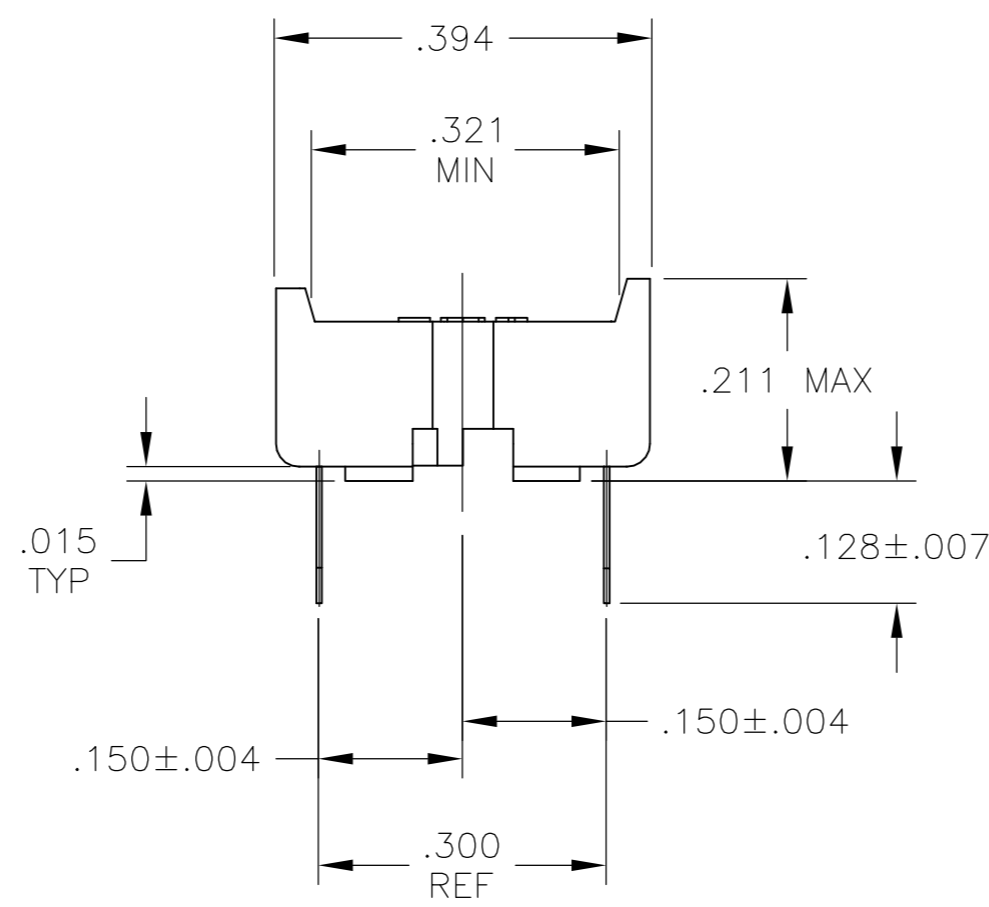
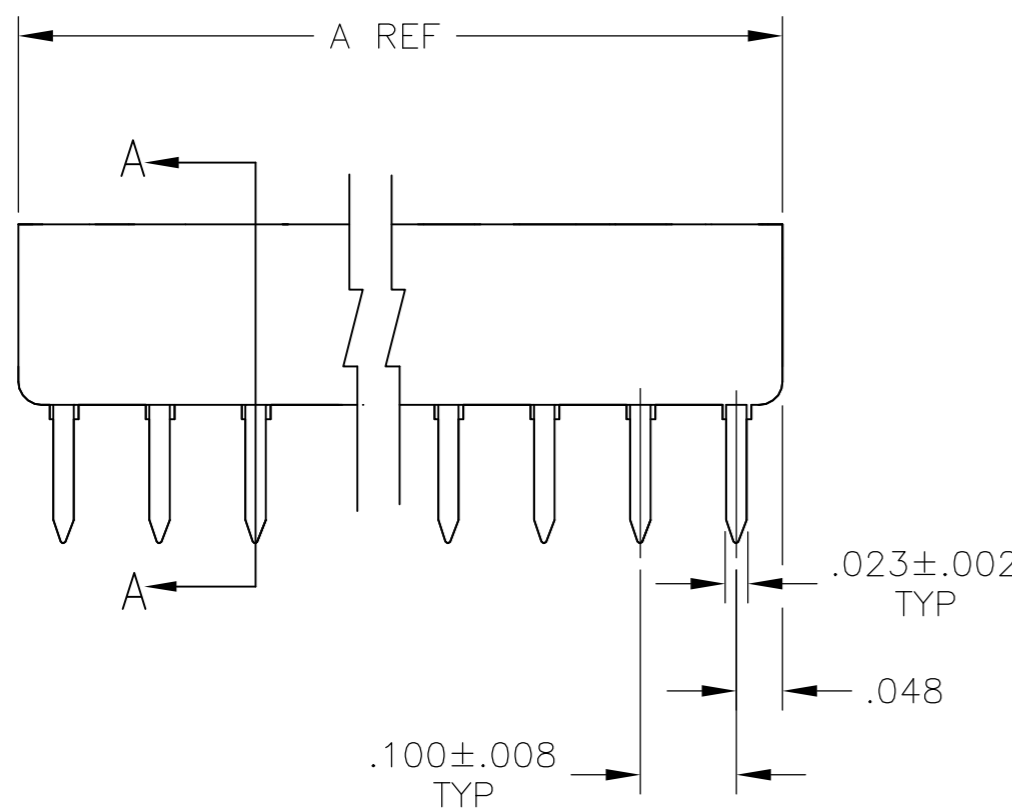
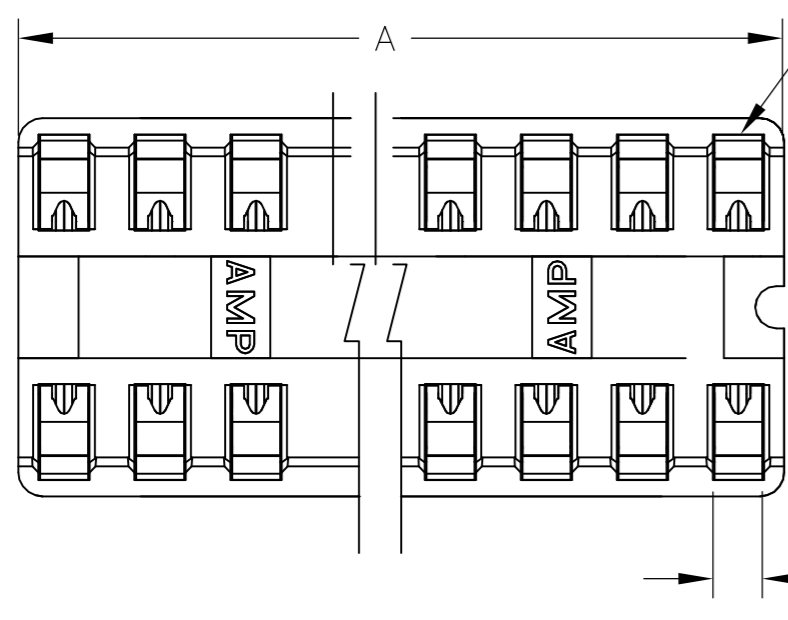


THIS DRAWING IS UNPUBLISHED. RELEASED FOR PUBLICATION
 © COPYRIGHT - By - ALL RIGHTS RESERVED.

LOC	DIST	REVISIONS			
P	LTR	DESCRIPTION	DATE	DWN	APVD
AD	00	B	ECR-13-018647	14MAR2014	W.W C.W



- 1 RECEPTACLE ACCEPTS A .008-.014 THICK I.C. LEAD.
- 2 TUBE LOADED FOR AUTOMATIC INSERTION.
- 3 BECU CONTACT - PLATED WITH TWO .000030 MIN THK. GOLD STRIPES IN CONTACT AREA WITH TIN ON CONTACT LEGS, BALANCE OF CONTACT NICKEL PLATED.
- 4 PHOS. BRZ CONTACT - PLATED WITH TWO .000015 MIN THK. GOLD STRIPES IN CONTACT AREA WITH TIN ON CONTACT LEGS, BALANCE OF CONTACT NICKEL PLATED.
- 5 GLASS FILLED THERMOPLASTIC, 94V-0, BLACK

CONTACT & FINISH	DIM. C	B	SPCS	DIM. A	POSITION	PART NO.
(B) OBSOLETE	3	1.100	11	1.195	24	1-1825094-7
(B) OBSOLETE	3	.900	9	.995	20	1-1825094-6
(B) OBSOLETE	3	.800	8	.895	18	1-1825094-5
(B) OBSOLETE	3	.700	7	.795	16	1-1825094-4
(B) OBSOLETE	3	.600	6	.695	14	1-1825094-3
(B) OBSOLETE	3	.300	3	.395	8	1-1825094-2
(B) OBSOLETE	3	.200	2	.295	6	1-1825094-1
(B) OBSOLETE	4	1.100	11	1.195	24	1825094-7
(B) OBSOLETE	4	.900	9	.995	20	1825094-6
(B) OBSOLETE	4	.800	8	.895	18	1825094-5
(B) OBSOLETE	4	.700	7	.795	16	1825094-4
(B) OBSOLETE	4	.600	6	.695	14	1825094-3
(B) OBSOLETE	4	.300	3	.395	8	1825094-2
(B) OBSOLETE	4	.200	2	.295	6	1825094-1

THIS DRAWING IS A CONTROLLED DOCUMENT.

DWN: B.S.VISWESWARA 21APR05
 CHK: K WRIGHT
 APVD: -
 PRODUCT SPEC: 108-1066
 APPLICATION SPEC: 114-1049

MATERIAL: SEE TABLE
 FINISH: SEE TABLE

TE Connectivity
 DIP SOCKET ASSY, LADDER, DIPLOMATE, .300 CL, LEAD FREE

SIZE: A2 CAGE CODE: 00779 DRAWING NO: 1825094
 RESTRICTED TO: -
 SCALE: 5:1 SHEET: 1 of 1 REV: B