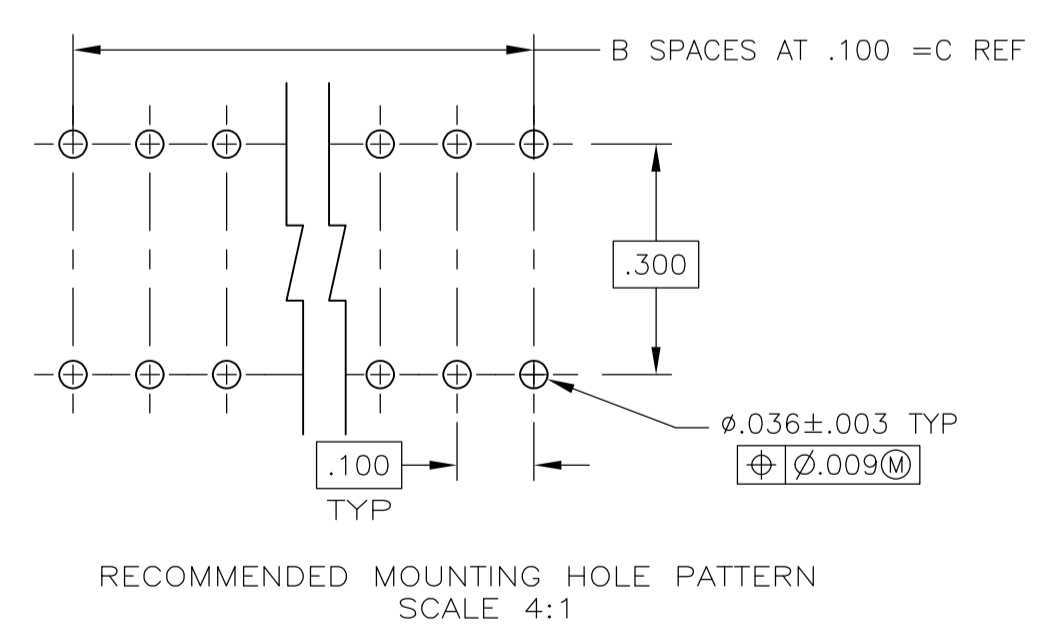
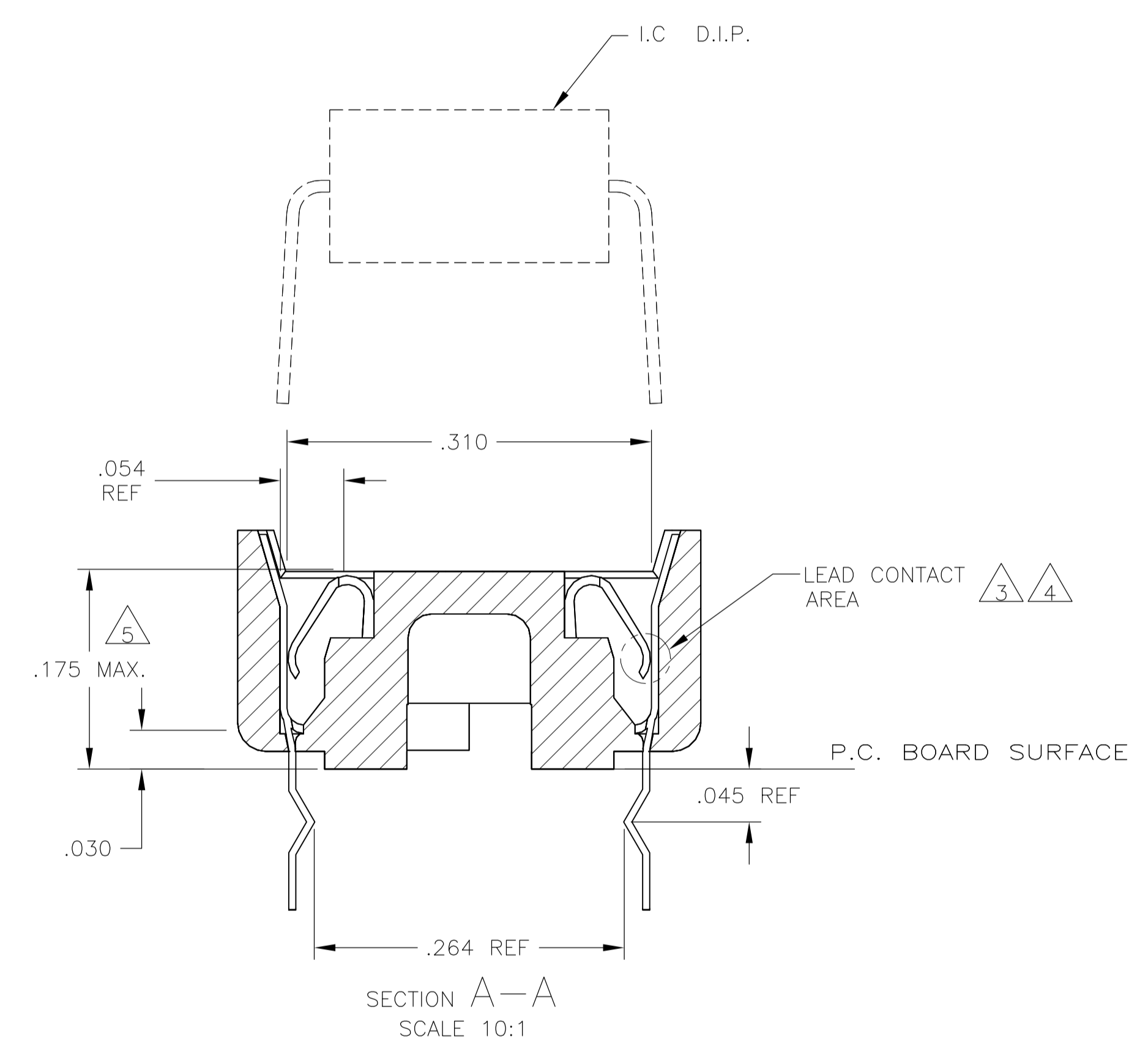
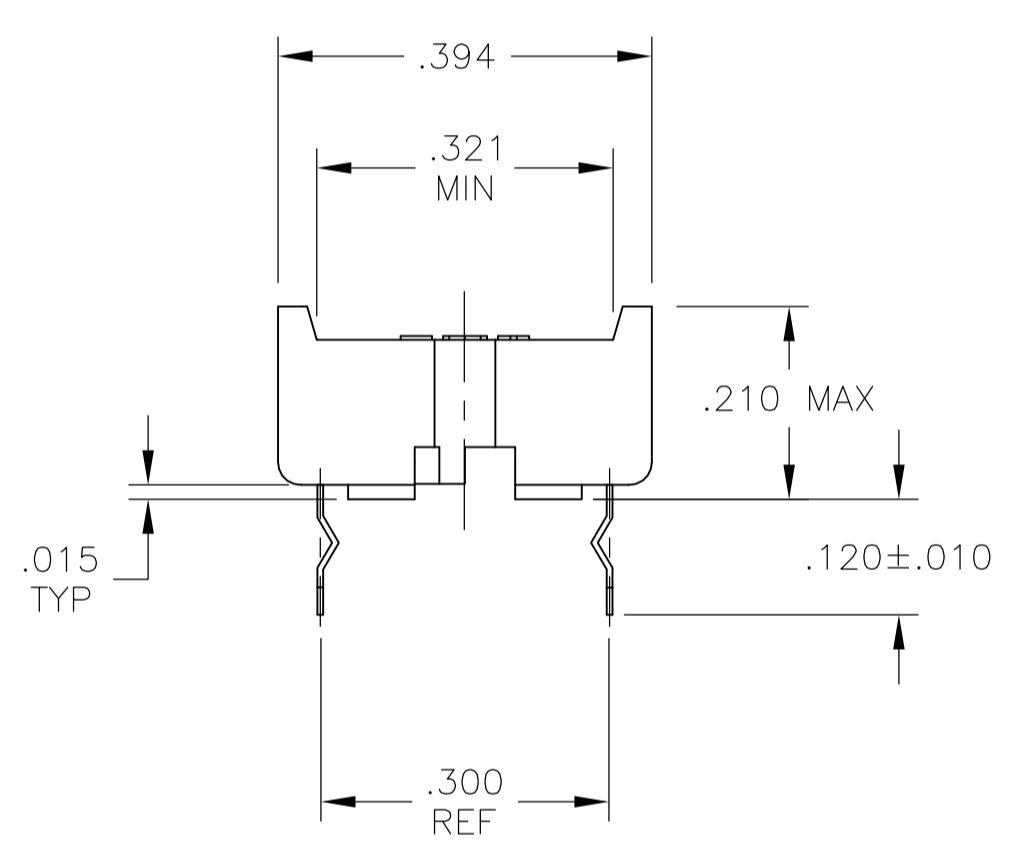
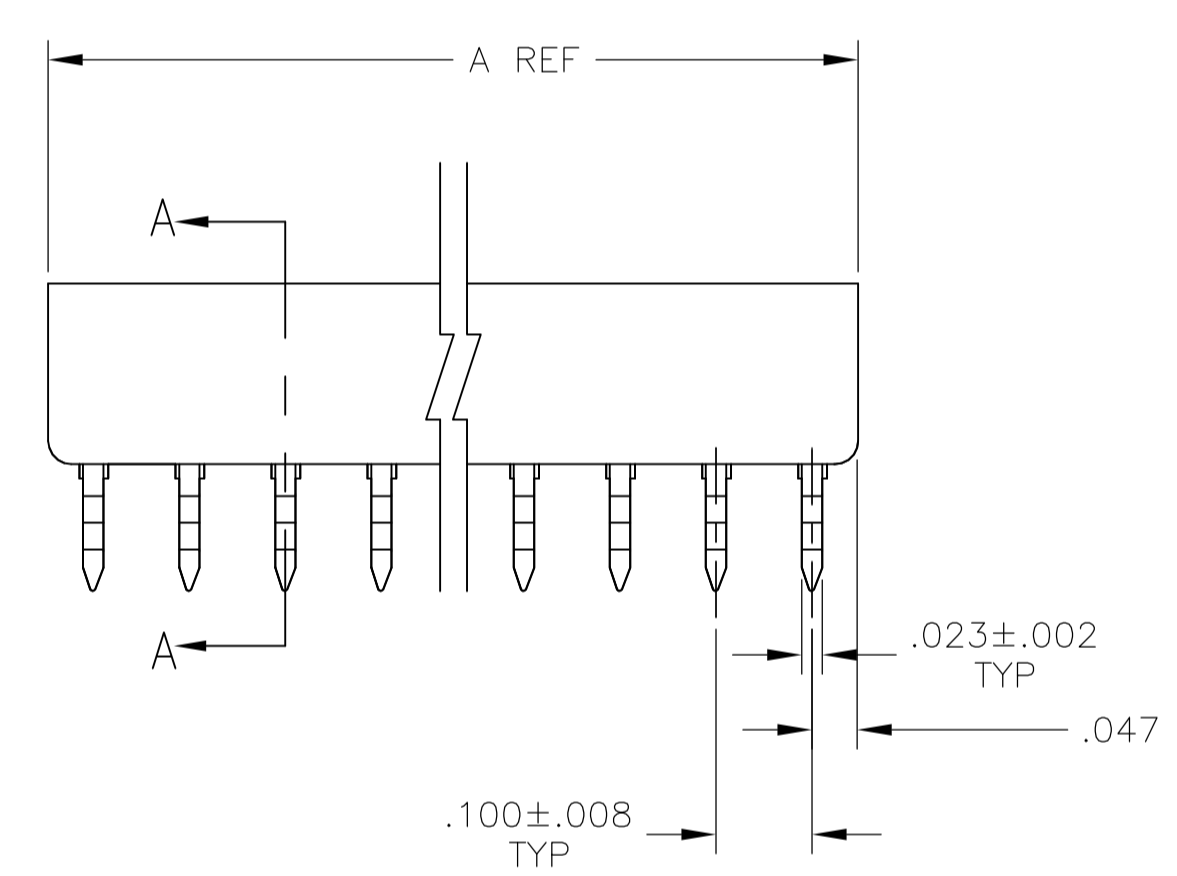
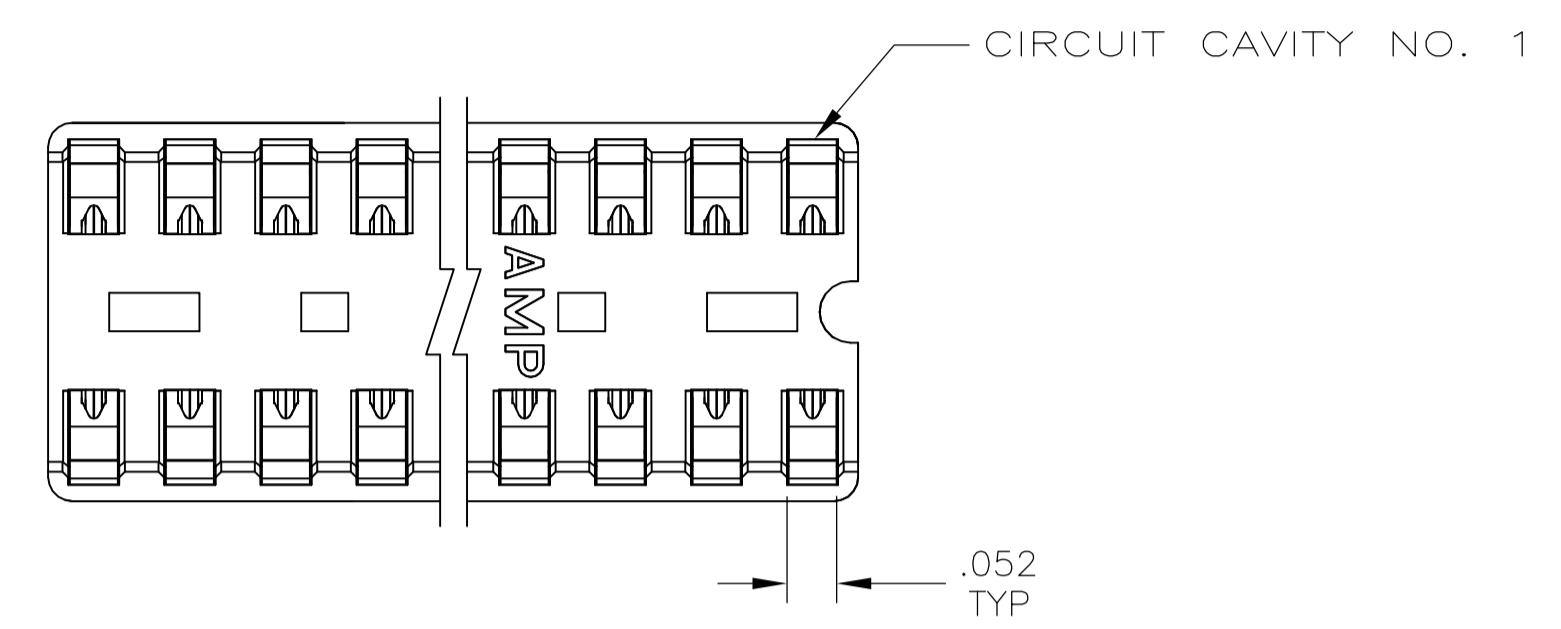


LOC		DIST		REVISIONS			
AD	00	REV	DATE	BY	CHK	APPV	
A	ECO-05-013690		29DEC2005	RB		DR	
A1	REVISED PER ECO-09-024927		07NOV09	KK		AEG	

1. RECEPTACLE ACCEPTS A .008-.014 THICK I.C. LEAD.
2. TUBE LOADED FOR AUTOMATIC INSERTION.
3. BECU CONTACT-PLATED WITH TWO .000030 MIN THK. GOLD STRIPES IN CONTACT AREA WITH TIN ON CONTACT LEGS, BALANCE OF CONTACT NICKEL PLATED.
4. PHOS. BRONZE CONTACT- PLATED WITH TWO .000015 MIN THK. GOLD STRIPES IN CONTACT AREA WITH TIN ON CONTACT LEGS, BALANCE OF CONTACT NICKEL PLATED.
5. MAXIMUM DIMENSION FOR I.C. SEATING PLANE.
6. HOUSING MATERIAL-GLASS FILLED THERMOPLASTIC, BLACK, 94V-0
7. OBSOLETE PARTS: OBSOLETE CIS STREAMLINING PER D.RENAUD/D.SINISI



CONTACT & FINISH	DIM C	B SPCS	DIM A	POSITION	PART NO.
OBsolete	.900	9	.995	20	1-1825373-6
OBsolete	.800	8	.895	18	1-1825373-5
OBsolete	.700	7	.795	16	1-1825373-4
OBsolete	.600	6	.695	14	1-1825373-3
OBsolete	.300	3	.395	8	1-1825373-2
OBsolete	.200	2	.295	6	1-1825373-1
OBsolete	.900	9	.995	20	1825373-6
OBsolete	.800	8	.895	18	1825373-5
OBsolete	.700	7	.795	16	1825373-4
OBsolete	.600	6	.695	14	1825373-3
OBsolete	.300	3	.395	8	1825373-2
OBsolete	.200	2	.295	6	1825373-1

THIS DRAWING IS A CONTROLLED DOCUMENT.

DIMENSIONS: INCHES	TOLERANCES UNLESS OTHERWISE SPECIFIED:	DIN R BROWN 29DEC2005	Tyco Electronics Corporation Harrisburg, Pa 17105-3608
0 PLC ± -	1 PLC ± -	CHK D ROHDE 29DEC2005	
2 PLC ± -	3 PLC ± -	APPV D ROHDE 29DEC2005	NAME
4 PLC ± -	ANGLES ± -		DIP SOCKET ASSY, CLOSED, DIPLOMATE, RETENTIVE LEAD, .300 CL, LEAD FREE
MATERIAL	FINISH	WEIGHT	SIZE CAGE CODE DRAWING NO. RESTRICTED TO
			A1 00779 C=1825373
CUSTOMER DRAWING		SCALE 5:1	SHEET 1 OF 1 REV A1