

**PLEASE CHECK WWW.MOLEX.COM FOR LATEST PART INFORMATION**

**Part Number:** [19002-0044](#)  
**Status:** **Active**  
**Overview:** Standard Quick-Disconnect Terminals  
**Description:** Avikrimp™ Quick Disconnect, Female, for 10-12 (5.00-3.30mm<sup>2</sup>) Wire, Box, Tab 6.35 x 0.81mm

**Documents:**

|  |  |
|--|--|
| <a href="#">3D Model</a>                                 | <a href="#">Product Specification PS-19902-013 (PDF)</a> |
| <a href="#">Drawing (PDF)</a>                            | <a href="#">Product Specification PS-19902-014 (PDF)</a> |
| <a href="#">Product Specification PS-19902-011 (PDF)</a> | <a href="#">RoHS Certificate of Compliance (PDF)</a>     |

**Agency Certification**

|     |         |
|-----|---------|
| CSA | LR18689 |
| UL  | E79133  |

**General**

|                         |   |
|-------------------------|---|
| Product Family          | Quick Disconnects                                   |
| Series                  | <a href="#">19002</a>                               |
| Crimp Quality Equipment | Yes   |
| Insulated               | Fully   |
| Overview                | <a href="#">Standard Quick-Disconnect Terminals</a> |
| Product Name            | Avikrimp™   |
| Type                    | Quick Disconnect                                    |
| UPC                     | 800753027763  |

**Physical**

|                                |                 |
|--------------------------------|-----------------|
| Barrel Type                    | Closed          |
| Color - Resin                  | Yellow          |
| Flammability                   | 94V-2           |
| Gender                         | Female          |
| Glow-Wire Compliant            | Yes             |
| Insulation                     | Nylon (PA)      |
| Lock to Mating Part            | None            |
| Material - Metal               | Brass           |
| Material - Plating Mating      | Tin             |
| Material - Plating Termination | Tin             |
| Net Weight                     | 1.941/g         |
| Orientation                    | Straight        |
| Packaging Type                 | Bag             |
| Polarized to Mating Part       | No              |
| Tab Thickness                  | 0.81mm          |
| Tab Width                      | 6.35mm          |
| Temperature Range - Operating  | -65°C to +105°C |
| Wire Insulation Diameter       | 6.22mm max.     |
| Wire Size AWG                  | 10, 12          |
| Wire Size mm <sup>2</sup>      | 3.30 - 5.00     |

**Electrical**

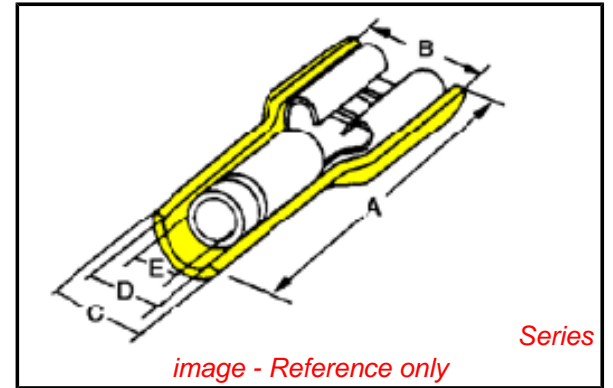
|                   |      |
|-------------------|------|
| Voltage - Maximum | 300V |
|-------------------|------|

**Material Info**

|                 |        |
|-----------------|--------|
| Old Part Number | C-5265 |
|-----------------|--------|

**Reference - Drawing Numbers**

|                       |  |
|-----------------------|--|
| Product Specification | PS-19902-011, PS-19902-013, PS-19902-014 |
| Sales Drawing         | SD-19002-005                             |



**EU RoHS**

**ELV and RoHS Compliant**

**REACH SVHC**

Not Reviewed

**Low-Halogen Status**

**Low-Halogen**

**China RoHS**



**Need more information on product environmental compliance?**

Email [productcompliance@molex.com](mailto:productcompliance@molex.com)  
 For a multiple part number RoHS Certificate of Compliance, [click here](#)

Please visit the [Contact Us](#) section for any non-product compliance questions.

**Search Parts in this Series**

19002Series

**Use With**

19001-0010 , 19001-0011

**Application Tooling | FAQ**

*Tooling specifications and manuals are found by selecting the products below. Crimp Height Specifications are then contained in the Application Tooling Specification document.*

**Global**

**Description**

**Product #**

|                 |                            |
|-----------------|----------------------------|
| PremiumGrade™   | <a href="#">0640010200</a> |
| Hand Crimp Tool |                            |

This document was generated on 02/24/2015

**PLEASE CHECK [WWW.MOLEX.COM](http://WWW.MOLEX.COM) FOR LATEST PART INFORMATION**