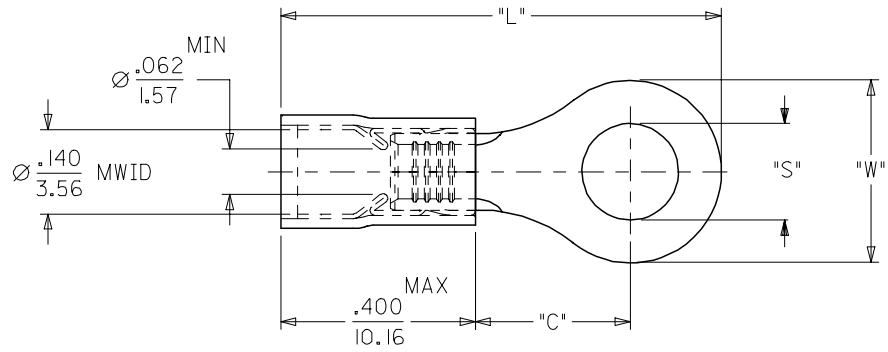
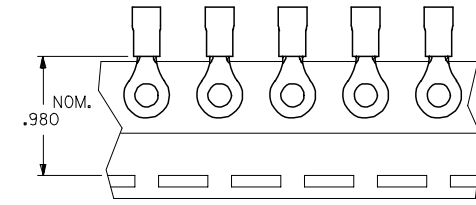


| MATERIAL NUMBER | ALTERNATE NUMBER | STUD SIZE | "S" | "W" | ⊕ "C" MIN | ⊕ "L" MAX | PACKAGING |
|-----------------|------------------|-----------|-------------|----------|-----------|-----------|-----------------|
| 190730005 | AA-820-02 | 2 | .094/(2.38) | .23(5.7) | .16(4.0) | .71(18.0) | LOOSE PIECE |
| 190730007 | AA-820-04 | 4 | .119/(3.02) | .23(5.7) | .16(4.0) | .71(18.0) | |
| 190730009 | AA-820-06 | 6 | .146/(3.71) | .23(5.7) | .16(4.0) | .71(18.0) | |
| 190730011 | AA-821-06 | 6 | .146/(3.71) | .31(7.9) | .27(6.9) | .87(22.0) | |
| 190730013 | AA-821-08 | 8 | .173/(4.39) | .31(7.9) | .27(6.9) | .87(22.0) | |
| 190730017 | AA-821-10 | 10 | .198/(5.03) | .31(7.9) | .27(6.9) | .87(22.0) | TAPE MOUNTED |
| 190730020 | AA-821-209 | 5MM | .209/(5.30) | .31(7.9) | .27(6.9) | .87(22.0) | |
| 190730006 | AA-820-02T | 2 | .094/(2.38) | .23(5.7) | .16(4.0) | .71(18.0) | |
| 190730008 | AA-820-04T | 4 | .119/(3.02) | .23(5.7) | .16(4.0) | .71(18.0) | |
| 190730010 | AA-820-06T | 6 | .146/(3.71) | .23(5.7) | .16(4.0) | .71(18.0) | |
| 190730012 | AA-821-06T | 6 | .146/(3.71) | .31(7.9) | .27(6.9) | .87(22.0) | |
| 190730015 | AA-821-08T | 8 | .173/(4.39) | .31(7.9) | .27(6.9) | .87(22.0) | |
| 190730019 | AA-821-10T | 10 | .198/(5.03) | .31(7.9) | .27(6.9) | .87(22.0) | |
| 190730021 | AA-821-209T | 5MM | .209/(5.30) | .31(7.9) | .27(6.9) | .87(22.0) | |



- NOTES:
 1. MATERIAL: COPPER
 PLATING: ELECTROPLATE TIN
 2. FERRULE: TIN-PLATED BRASS
 3. INSULATION: RED NYLON 94V2.
 4. MWID=MAXIMUM WIRE INSULATION DIA.
 5. ALL DIMENSIONS IN INCHES/(MM).
 6. ASSEMBLY IS ROHS COMPLIANT.

| | |
|-----|---------------------------|
| REV | DESCRIPTION |
| 1 | REV CHART DIM. C & L |
| 2 | EC NO: ETC2007-0223 |
| 3 | DRW: NEHLE 2006/12/04 |
| 4 | CHKD: JMACNEIL 2006/12/04 |
| 5 | APPR: JMACNEIL 2006/12/06 |

| |
|-----------------|
| QUALITY SYMBOLS |
| ▽=0 |
| ▽=0 |

| GENERAL TOLERANCES (UNLESS SPECIFIED) | |
|---------------------------------------|--------|
| mm | INCH |
| 4 PLACES ± --- | ± --- |
| 3 PLACES ± --- | ± .005 |
| 2 PLACES ± 0.13 | ± .01 |
| 1 PLACE ± 0.25 | ± --- |
| ANGULAR ±1/2° | |

| DIMENSION STYLE | |
|-----------------|------------|
| IN/MM | |
| DRAWN BY | DATE |
| HEB | 2000/09/08 |
| CHECKED BY | DATE |
| RWD | 2000/09/08 |
| APPROVED BY | DATE |
| RWD | 2000/09/08 |

| | | |
|---|--------------|------------------------|
| SCALE | DESIGN UNITS | THIRD ANGLE PROJECTION |
| 4:1 | INCH | |
| TITLE | | |
| RING TONGUE TERMINAL AVIKRIMP 800 SERIES | | |
| MATERIAL NO. DATE | | |
| SEE CHART 2000/09/08 | | |
| DOCUMENT NO. | | SHEET NO. |
| SD-19073-002 | | 1 OF 1 |
| THIS DRAWING CONTAINS INFORMATION THAT IS PROPRIETARY TO MOLEX INCORPORATED AND SHOULD NOT BE USED WITHOUT WRITTEN PERMISSION | | |